

Explosionszeichnungen

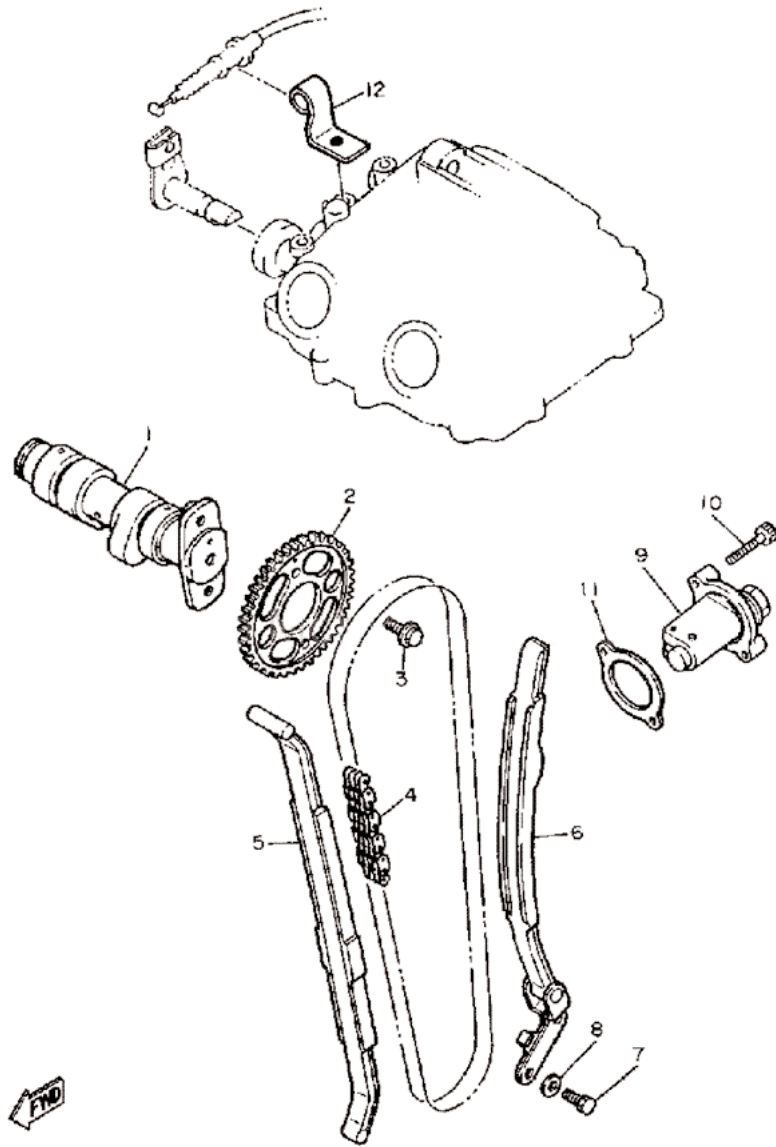


Yamaha TT 600 ab Bj. 1984

Parts	Page
CAMSHAFT CHAIN	1
CARBURETOR	2
CLUTCH	3
CRANKCASE	4
CRANKCASE COVER	5
CRANKSHAFT PISTON	6
CYLINDER	7
CYLINDER HEAD	8
ELECTRICAL 1	9
EXHAUST	10
FENDER	11
FRAME	12
FRONT FORK	13
FRONT WHEEL	15
FUEL TANK	16
GENERATOR	17
HANDLE SWITCH LEVER	18
HEADLIGHT	19
INTAKE	20
METER	21
OIL PUMP	22
REAR ARM	23
REAR SUSPENSION	25
REAR WHEEL	26
SEAT	27
SHIFT CAM FORK	28
SHIFT SHAFT	29
SIDE COVER	30
STAND FOOTREST	31
STARTER	32
STEERING	33
STEERING HANDLE CABLE	34
TAILLIGHT	35
TRANSMISSION	36
VALVE	37

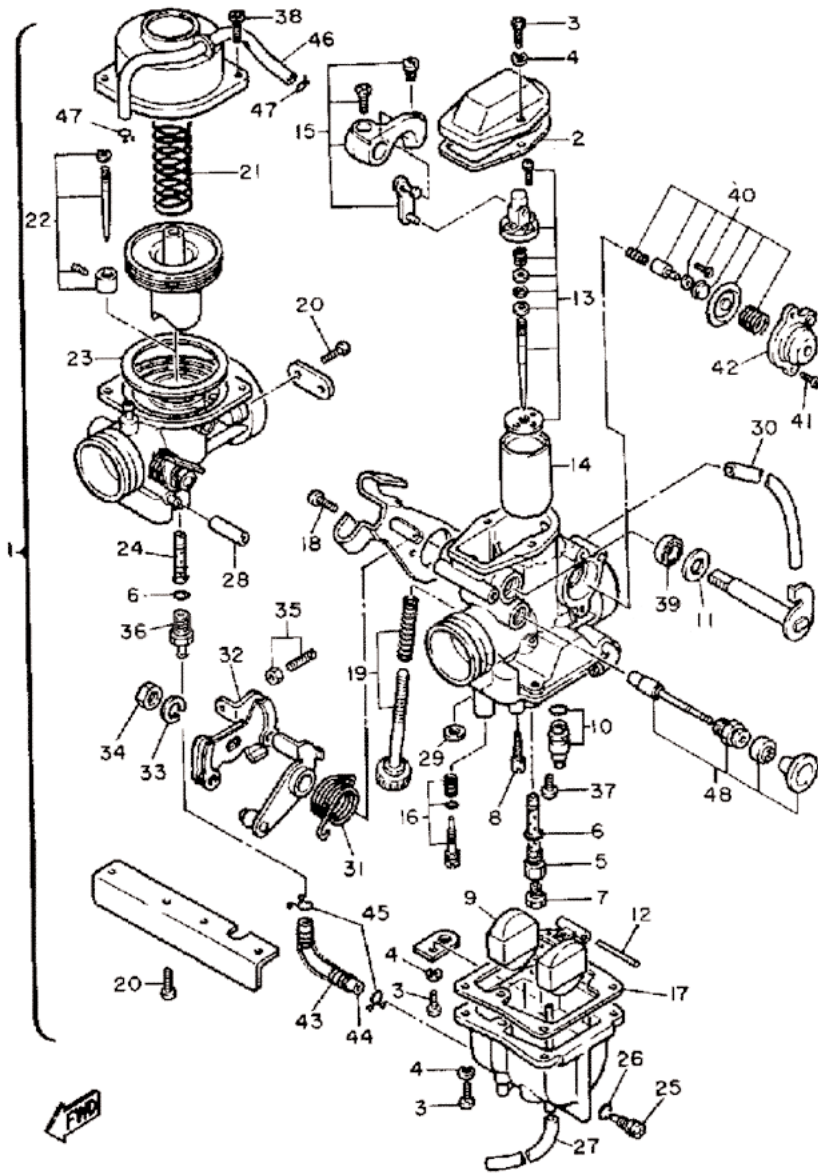
Coverpicture from www.xt600.de
Drawings Copyright by Yamaha Motor Corp.
Layout & Pdf creation by Bad Boy

CAMSHAFT CHAIN



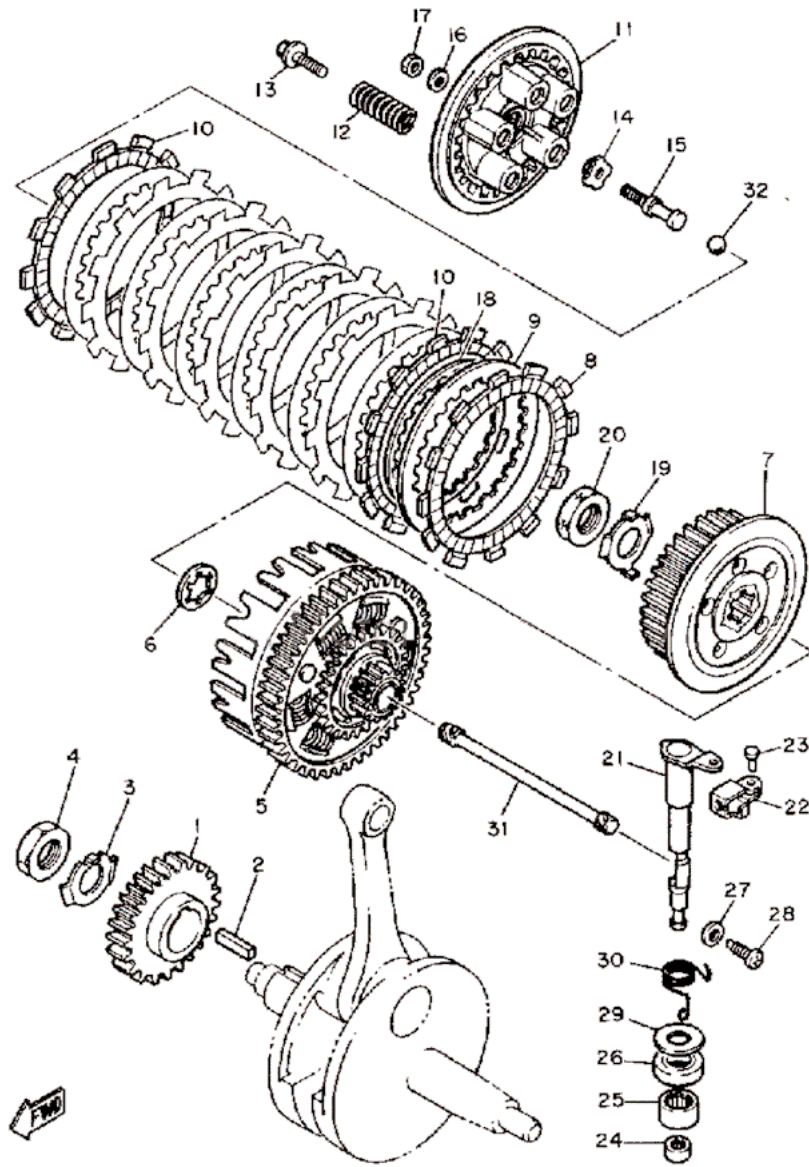
Item	Part #	Description	Req
1	34K-12171-00-00	CAMSHAFT ASSEMBLY 1 (34K-12170-	1
2	34K-12176-00-00	SPROCKET, CAM CHAIN	1
3	90105-07087-00	BOLT, WASHER BASED	2
4	94590-27126-00	CHAIN	1
5	34K-12231-00-00	GUIDE, STOPPER 1	1
6	34K-12241-00-00	GUIDE, STOPPER 2	1
7	97011-06016-00	BOLT	2
8	92901-06600-00	WASHER	2
9	34K-12210-00-00	TENSNR ASSEMBLY, CAM CHN	1
10	91316-06025-00	BOLT	2
11	4DW-12213-00-00	GASKET, TENSIONER CASE	1
12	1JK-12283-00-00	BRACKET, DCOMP (5Y1-12283-00)	1

CARBURETOR



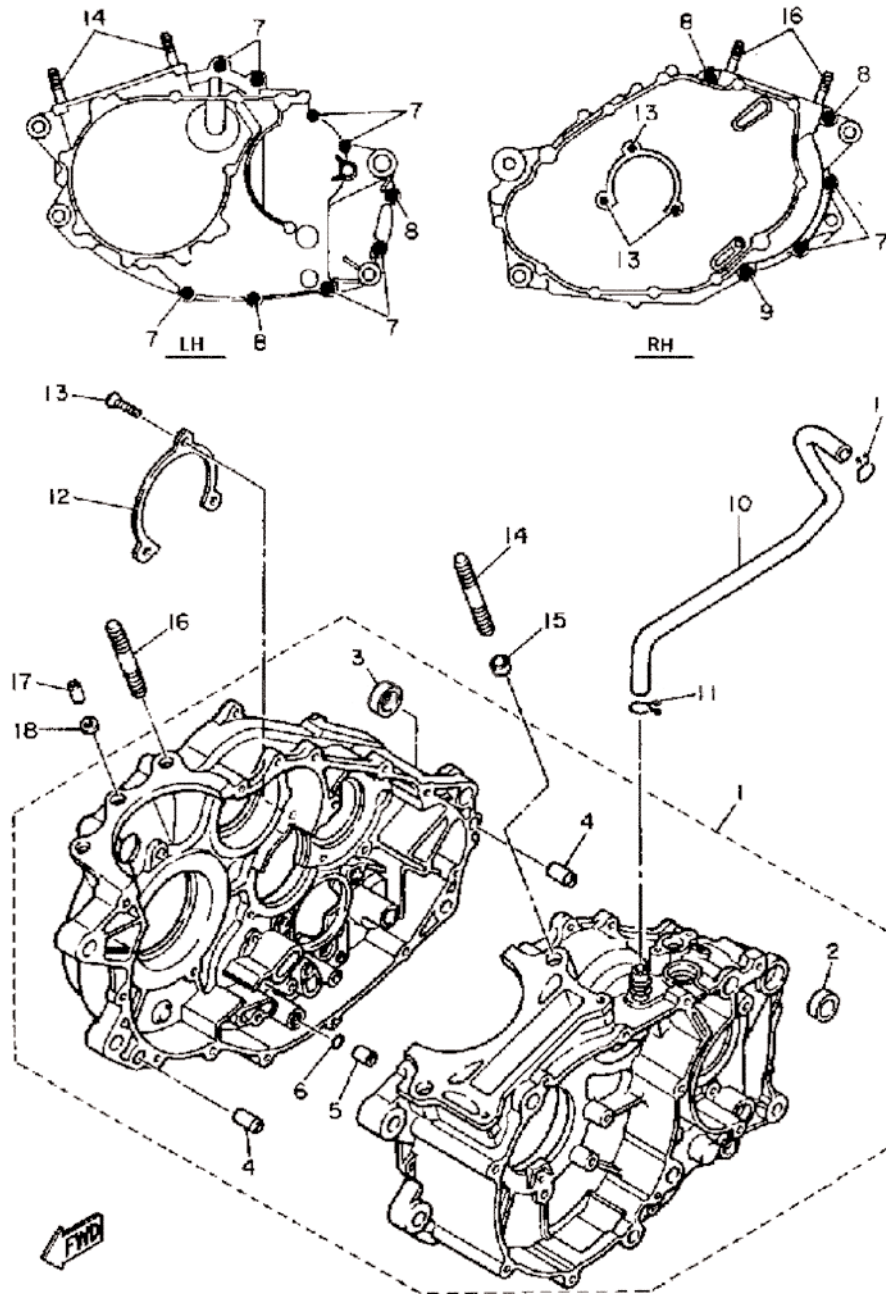
Item	Part #	Description	Req
1	34K-14301-01-00	CARBURETOR ASSEMBLY	1
2	5Y1-14198-00-00	GASKET	1
3	98503-04014-00	SCREW, PAN HEAD	6
4	92901-04100-00	WASHER, SPRING	6
5	5Y3-14341-00-00	NOZZLE, MAIN	1
6	360-24512-00-00	GASKET	2
7	288-14343-68-00	JET, MAIN #136	1
8	5H0-14342-24-00	JET, PILOT #48	1
9	5Y1-14385-00-00	FLOAT	1
10	1JK-14107-01-00	NEEDLE VALVE SET	1
11	5Y1-14357-00-00	WASHER, PLAIN	1
12	6E5-14386-01-00	PIN, FLOAT	1
13	34K-1490J-10-00	NEEDLE SET	1
14	34K-14312-45-00	VALVE, THROTTLE 1	1
15	5Y1-14203-00-00	CABLE CONNECT SET	1
16	50M-14105-00-00	PILOT SCREW SET (43F-14105-00)	1
17	5Y1-14384-00-00	GASKET, FLOAT CHAMBER	1
18	98580-04010-00	SCREW, PAN HEAD	2
19	34K-14103-00-00	THROTTLE SCREW SET	1
20	98580-05010-00	SCREW, PAN HEAD	6
21	5Y1-14286-00-00	SPRING	1
22	5Y3-1490J-01-00	NEEDLE SET	1
23	5Y1-14398-00-00	GASKET	1
24	5Y1-14355-00-00	NOZZLE, MAIN	1
25	5Y1-14115-00-00	PLUG, SCREW	1
26	5Y1-14397-00-00	O-RING	1
27	5Y1-14396-00-00	PIPE	1
28	5Y1-14349-00-00	PIPE	1
29	5Y1-14536-00-00	GASKET	1
30	5Y1-14197-00-00	PIPE	1
31	5Y1-14131-00-00	SPRING, THRTL VALVE	1
32	34K-14305-00-00	THROTTLE LVR COMP	1
33	5Y1-14356-00-00	WASHER, SPRING	1
34	5Y1-14358-00-00	NUT	1
35	34K-1490K-00-00	STOP SCREW SET	1
36	5Y1-14343-68-00	JET, MAIN #136	1
37	98901-04006-00	SCREW, BIND	1
38	98580-04020-00	SCREW, PAN HEAD	2
39	5Y1-14572-00-00	PLATE, STAY	2
40	5Y1-1490A-00-00	DIAPHRAGM SET 1	1
41	98580-04010-00	SCREW, PAN HEAD	2
42	5Y1-14293-01-00	COVER 1	1
43	5Y1-14556-00-00	SPRING	1
44	5Y1-14148-00-00	PIPE	1
45	5Y1-14137-00-00	CLIP	2
46	5Y1-14149-00-00	PIPE	1
47	5Y1-14159-00-00	CLIP	2
48	34K-14370-00-00	PLUNGER, STARTERASSEMBLY	1

CLUTCH



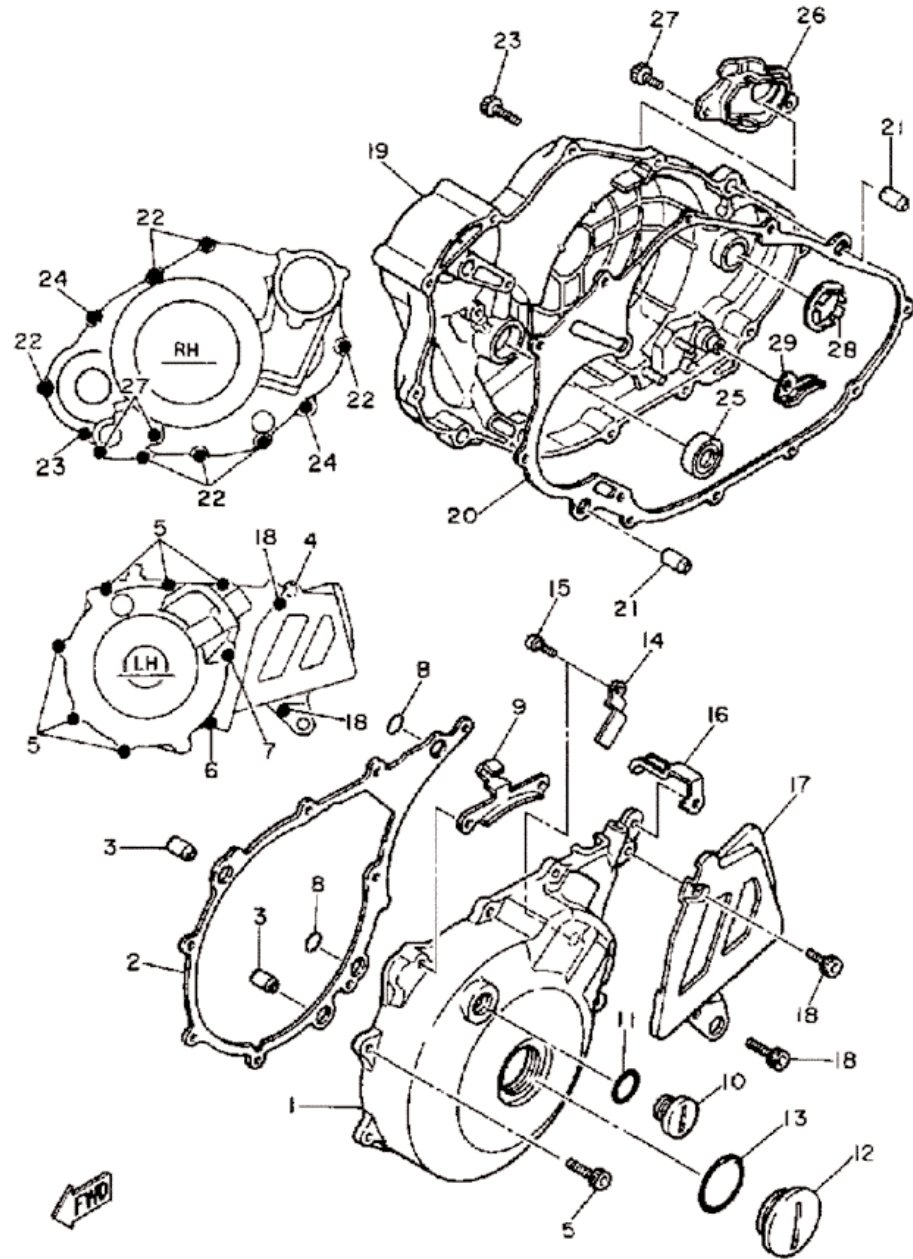
Item	Part #	Description	Req
1	34K-16111-00-00	GEAR, PRI DRIVE	1
2	90282-07042-00	KEY, STRAIGHT	1
3	90215-20197-00	WASHER, LOCK	1
4	90170-20274-00	NUT	1
5	1JK-16150-00-00	PRI DRVN GEAR (34K-16150-00)	1
6	3Y1-16154-00-00	PLATE, THRUST 1	1
7	34K-16371-00-00	BOSS, CLUTCH	1
8	5Y1-16321-00-00	PLATE, FRICTION	6
9	360-16325-00-00	PLATE, CLUTCH 2	7
10	5Y1-16331-01-00	PLATE, FRICTION 2	2
11	5Y1-16351-00-00	PLATE, PRESSURE 1	1
12	90501-26148-00	SPRING, COMPRESSION	5
13	90159-06016-00	SCREW, WITH WASHER	5
14	30X-16358-00-00	PLATE, PUSH	1
15	34K-16356-00-00	ROD, PUSH 1	1
16	92990-06200-00	WASHER, PLAIN	1
17	95380-06600-00	NUT, HEXAGON	1
18	5Y1-16383-00-00	SPRING, CLUTCH BOSS	1
19	90215-20231-00	WASHER, LOCK	1
20	90170-20327-00	NUT	1
21	5Y1-16380-00-00	PUSH LEVER COMP.	1
22	214-16389-00-00	JOINT	1
23	90243-06016-00	PIN	1
24	93317-11020-00	BEARING	1
25	93315-11720-00	BEARING	1
26	93102-17357-00	OIL SEAL	1
27	90201-08087-00	WASHER, PLATE	1
28	90149-08067-00	SCREW	1
29	90201-17327-00	WASHER, PLATE	1
30	90508-14526-00	SPRING, TORSION	1
31	5Y1-16357-00-00	ROD, PUSH 2	1
32	93515-32029-00	BALL	1

CRANKCASE



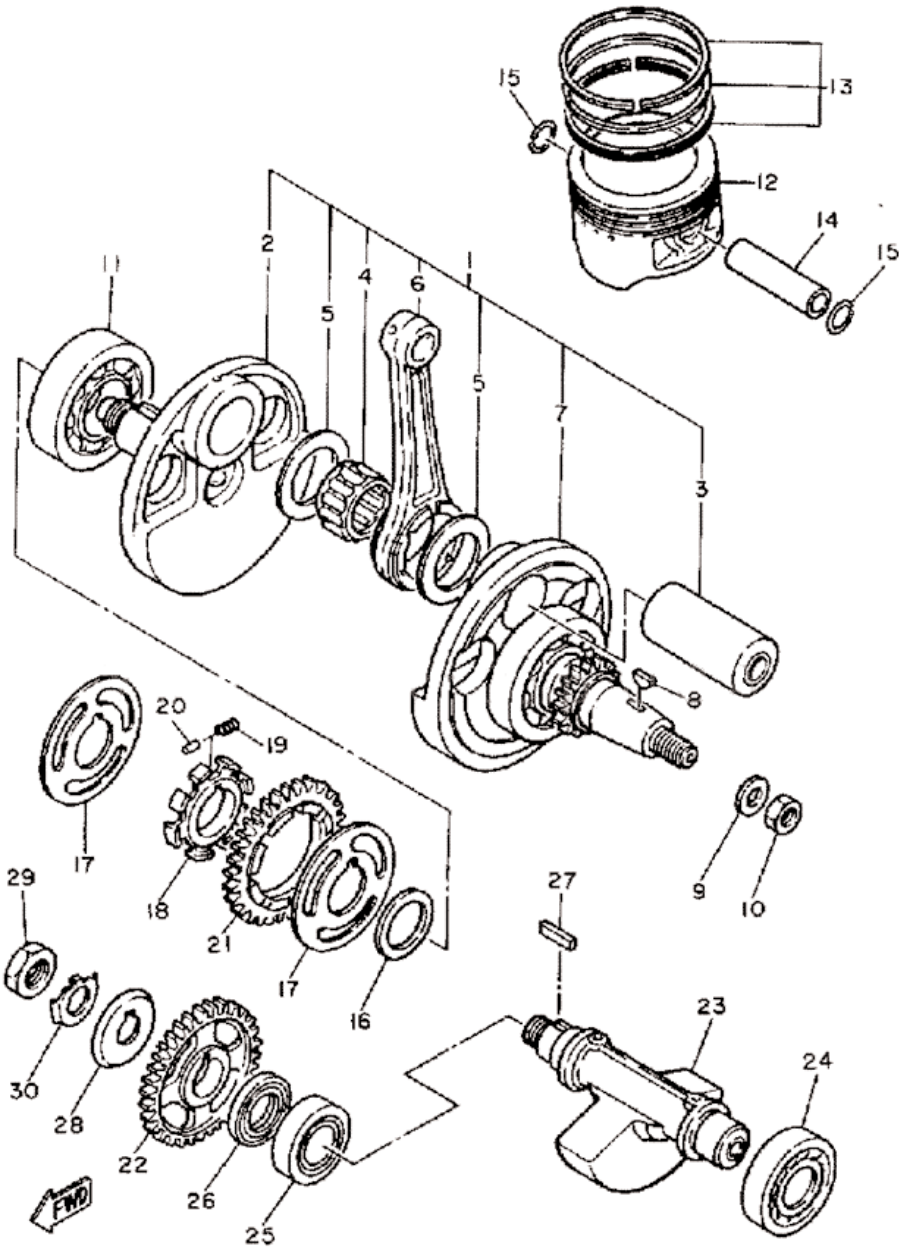
Item	Part #	Description	Req
1	34L-15100-05-00	CRANKCASE ASSEMBLY	1
2	90387-17783-00	COLLAR	1
3	90387-16782-00	COLLAR	1
4	99510-12016-00	PIN, DOWEL	2
5	99510-08016-00	PIN, DOWEL	1
6	93210-07135-00	O-RING	1
7	90110-06138-00	BOLT, HEXAGON SOCKET HEAD	9
8	91316-06045-00	BOLT	4
9	91316-06060-00	BOLT	1
10	34L-11166-00-00	PIPE, BREATHER 1	1
11	90467-14015-00	CLIP	2
12	5Y1-15383-00-00	PLATE, BEARING COVER	1
13	98603-06012-00	SCREW, OVAL HEAD (92701-06012)	3
14	90116-10087-00	BOLT, STUD	2
15	99530-14016-00	PIN, DOWEL	2
16	90116-10263-00	BOLT, STUD	2
17	99510-08016-00	PIN, DOWEL	1
18	90430-08178-00	GASKET	1

CRANKCASE COVER 1



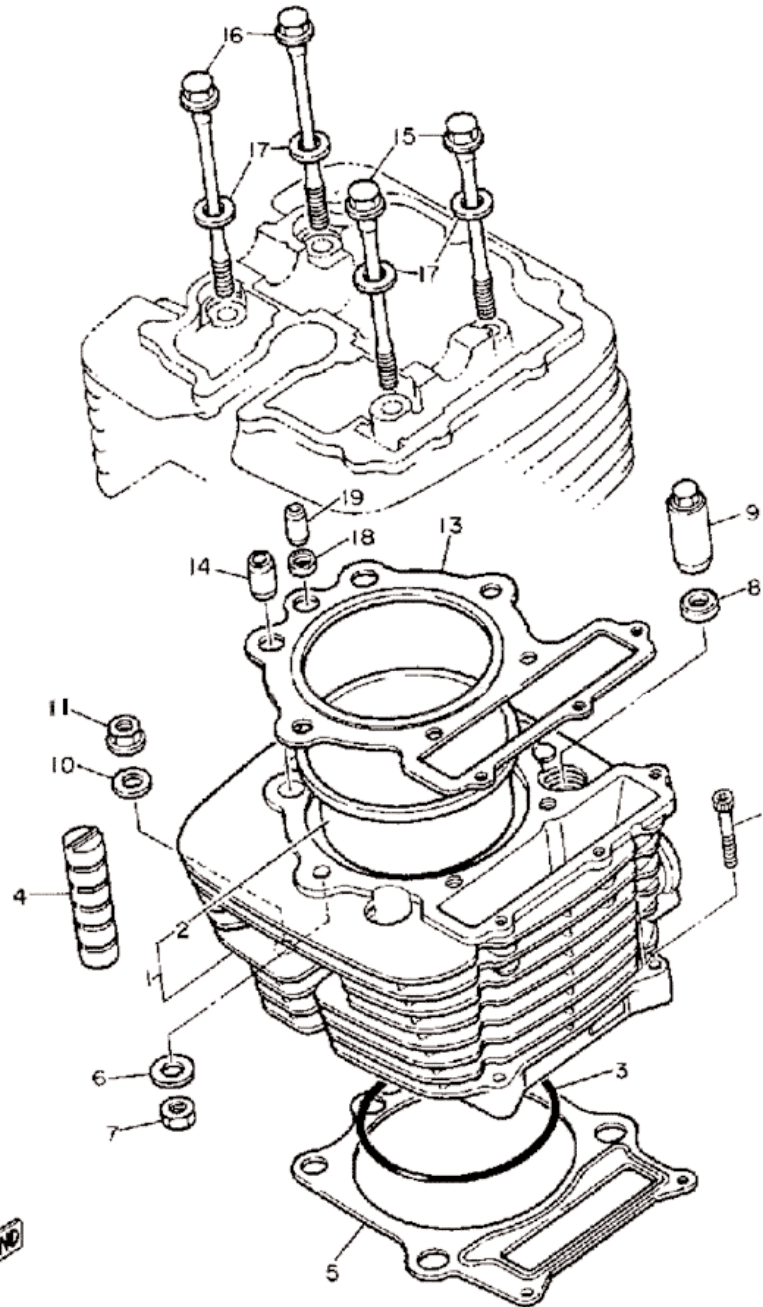
Item	Part #	Description	Req
1	34K-15411-00-00	COVER, CRANKCASE L	1
2	3SW-15451-00-00	GASKET, CRANKCASE	1
3	99510-12016-00	PIN, DOWEL	2
4	91316-06020-00	BOLT	1
5	91316-06025-00	BOLT	6
6	91316-06040-00	BOLT, SOCKET HEAD	1
7	91316-06050-00	BOLT	1
8	93210-13361-00	O-RING	2
9	5Y1-15441-00-00	HOLDER, CLCH CABLE	1
10	90340-14079-00	PLUG, STRAIGHT SCREW	1
11	93210-14369-00	O-RING	1
12	90340-36078-00	PLUG, STRAIGHT SCREW	1
13	93210-36510-00	O-RING	1
14	90462-16102-00	CLAMP	1
15	98580-06012-00	SCREW, PAN HEAD	1
16	90462-10107-00	CLAMP	1
17	5Y1-15421-02-00	COVER, CRANKCASE R	1
18	91316-06016-00	BOLT	2
19	5Y1-15431-03-00	COVER, CRANKCASE 3	1
20	4DW-15462-00-00	GASKET, CRANKCASE COVER 3	1
21	99510-12016-00	PIN, DOWEL	2
22	91316-06025-00	BOLT	7
23	90110-06138-00	BOLT, HEXAGON SOCKET HEAD	1
24	91316-06035-00	BOLT	2
25	93101-14092-00	OIL SEAL (S7-14-25-5.5-1-HS)	1
26	5Y1-15417-01-00	COVER, CAP	1
27	91316-06016-00	BOLT	2
28	5Y1-15645-00-00	SHIM, KICK SHAFT	1
29	5Y1-1562F-01-00	PLATE, DECOMP	1

CRANKSHAFT PISTON



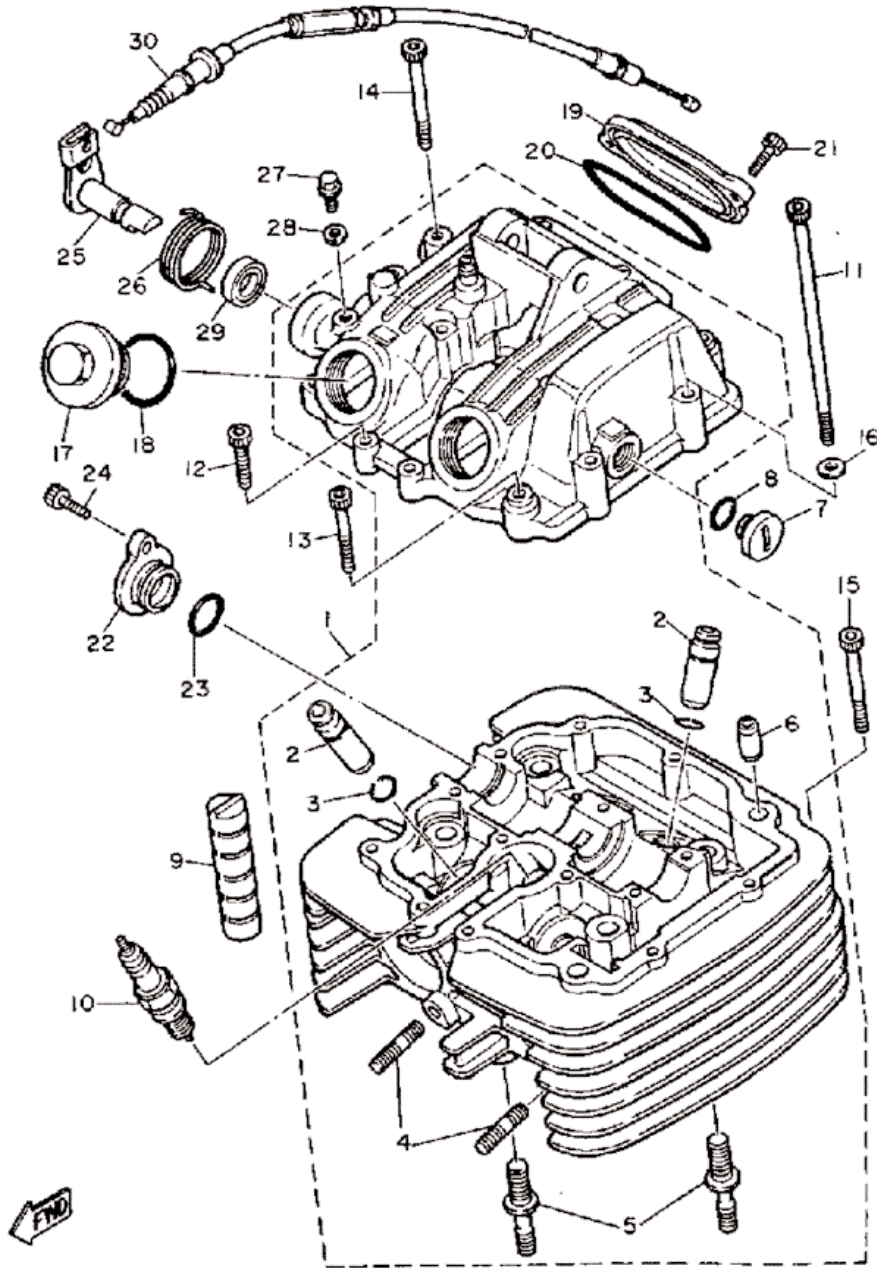
Item	Part #	Description	Req
1	34K-11400-00-00	CRANKSHAFT ASSEMBLY	1
2	34K-11422-00-00	CRANK 2	1
3	34K-11681-00-00	PIN, CRANK 1	1
4	93310-634K2-00	BEARING, CYLINDER.#10	1
5	90209-34254-00	WASHER, SPEC"L SHAP	2
6	34K-11651-00-00	ROD, CONNECTING	1
7	34K-W1141-00-00	CRANK 1	1
8	90280-16053-00	KEY, WOODRUFF	1
9	90201-140A6-00	WASHER, PLATE	1
10	90179-14317-00	NUT	1
11	93306-30702-00	BEARING (B6307)	1
12	34K-11631-02-Y0	PISTON (STD) U.R.	1
12	34K-11631-00-E0	34K-11631-01-Y0 UR SEE NOTE	1
13	34K-11610-01-00	PISTON RING SET	1
14	34K-11633-01-00	PIN, PISTON	1
15	93450-24028-00	CIRCLIP	2
16	90201-301F4-00	WASHER, PLATE	1
17	34K-11565-01-00	WASHER, BEARING CVR	2
18	5Y1-11496-01-00	BOSS, BUFFER	1
19	90501-22721-00	SPRING, COMPRESSION	8
20	93605-10090-00	PIN, DOWEL	4
21	2JT-11536-00-00	GEAR, DRIVE	1
22	5Y1-11531-00-00	GEAR, BALANCE WT 44T	1
23	34K-11454-00-00	WEIGHT 1	1
24	93306-30525-00	BEARING (B6305)	1
25	93306-30541-00	BEARING	1
26	93101-25106-00	OIL SEAL	1
27	90282-05013-00	KEY, STRAIGHT	1
28	34K-11145-00-00	PLATE, BREATHER 2	1
29	90170-16326-00	NUT	1
30	90215-16242-00	WASHER, LOCK	1

CYLINDER



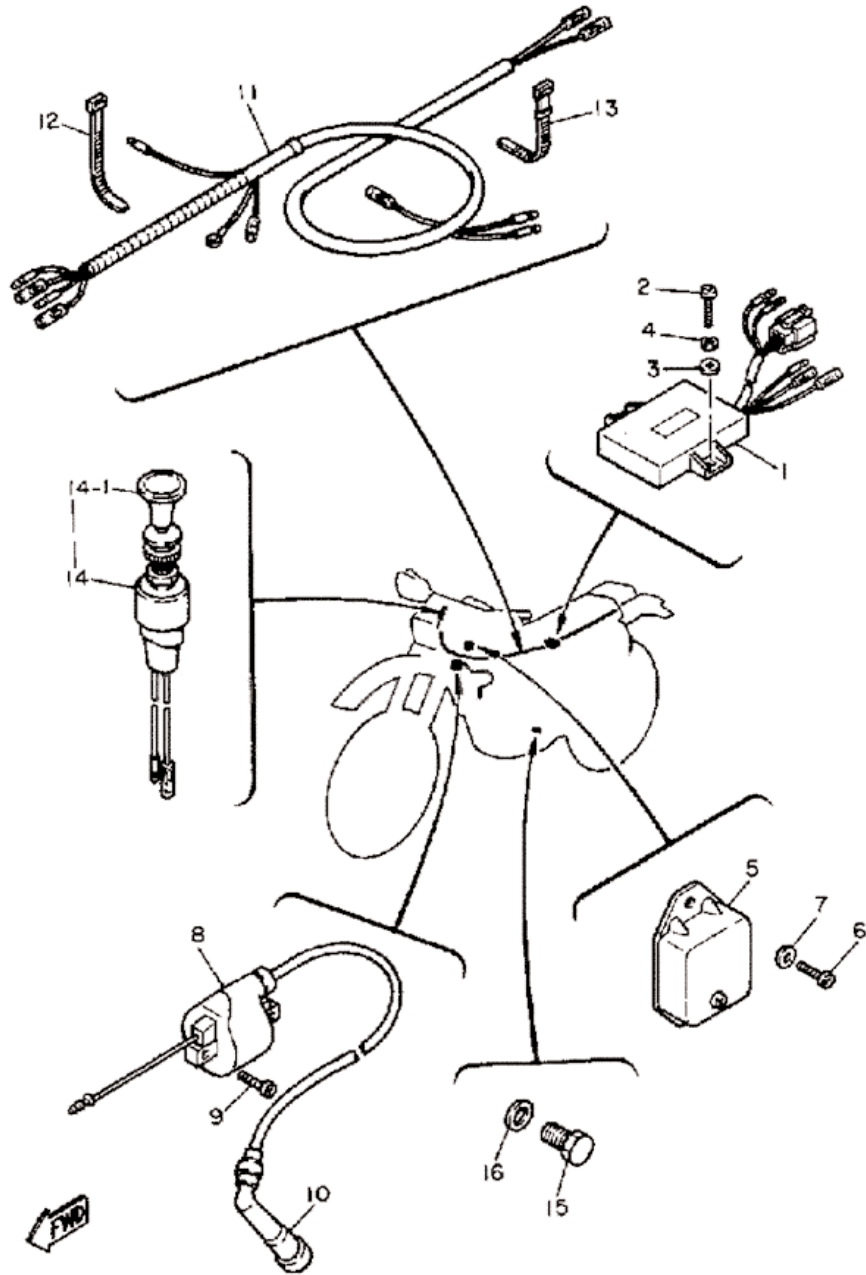
Item	Part #	Description	Req
1	99999-01957-00	CYLINDER ASSEMBLY	1
2	34K-11312-09-00	SLEEVE, CYLINDER SEE NOTE	1
3	93210-97524-00	O-RING	1
4	583-11127-00-00	ABSORBER 3	2
5	1VJ-11351-00-00	GASKET, CYLINDER	1
6	90201-087K2-00	WASHER, PLATE	2
7	90176-08026-00	NUT, CROWN	2
8	90201-10590-00	WASHER, PLATE	2
9	90179-10201-00	NUT	2
10	90201-10124-00	WASHER, PLATE	2
11	90179-10279-00	NUT, POP	2
12	90110-06138-00	BOLT, HEXAGON SOCKET HEAD	2
13	1JK-11181-02-00	GASKET, CYLINDER HEAD	1
14	91810-05018-00	PIN, DOWEL	2
15	90105-08464-00	BOLT, WASHER BASED	2
16	90105-08214-00	BOLT, WASHER BASED	2
17	90201-080L7-00	WASHER, PLATE	4
18	90430-08178-00	GASKET	1
19	99510-08016-00	PIN, DOWEL	1

CYLINDER HEAD



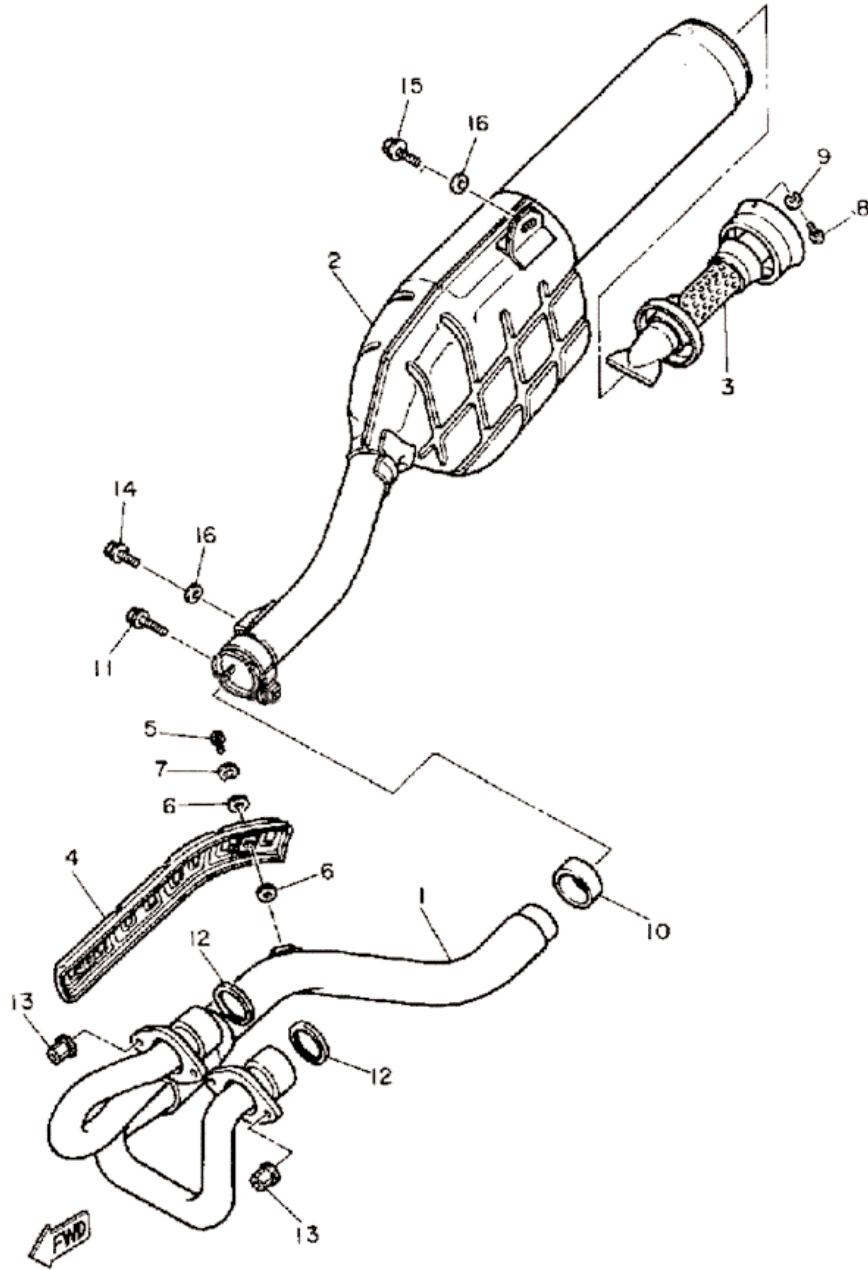
Item	Part #	Description	Req
1	34K-11101-03-00	CYLINDER HEAD ASSEMBLY	1
2	4H7-11133-10-00	GUIDE, INTAKE VALVE	4
3	93440-12052-00	CIRCLIP	4
4	90116-06475-00	BOLT, STUD	4
5	90116-10378-00	BOLT, STUD	2
6	99510-10114-00	PIN, DOWEL	2
7	90340-14079-00	PLUG, STRAIGHT SCREW	1
8	93210-14369-00	O-RING	1
9	583-11127-00-00	ABSORBER 3	2
10	NGK-D7EA0-00-00	PLUG, SPARK (NGK D7EA)	1
11	91316-06125-00	BOLT	2
12	91316-06025-00	BOLT	4
13	91316-06040-00	BOLT, SOCKET HEAD	3
14	91316-06055-00	BOLT, SOCKET HEAD	7
15	91316-06050-00	BOLT	1
16	92906-06600-00	WASHER	2
17	1H2-11186-00-00	PLUG, VIEWER	2
18	93210-32172-00	O-RING	2
19	5Y1-11187-00-00	COVER, CYLINDER HEAD SIDE 3	1
20	93210-62446-00	O-RING	1
21	91316-06018-00	BOLT, SOCKET HEAD	2
22	34K-12215-01-00	CAP, TENSIONER CASE	1
23	93210-19522-00	O-RING	1
24	91316-06020-00	BOLT	1
25	5Y1-12288-00-00	CAM, DCOMP	1
26	90508-18551-00	SPRING, TORSION	1
27	90109-06418-00	BOLT	1
28	90430-06014-00	GASKET	1
29	93102-12321-00	OIL SEAL	1
30	5Y1-12292-00-00	CABLE, DCOMP	1

ELECTRICAL 1



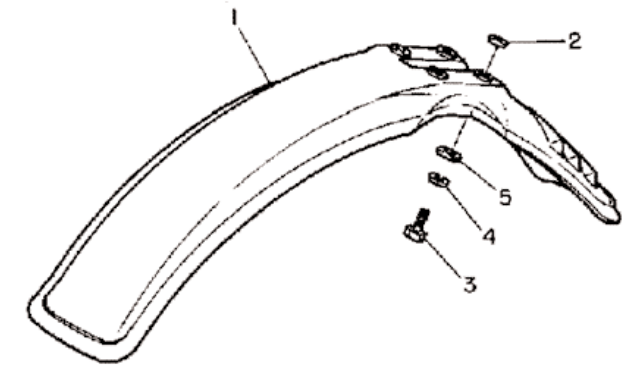
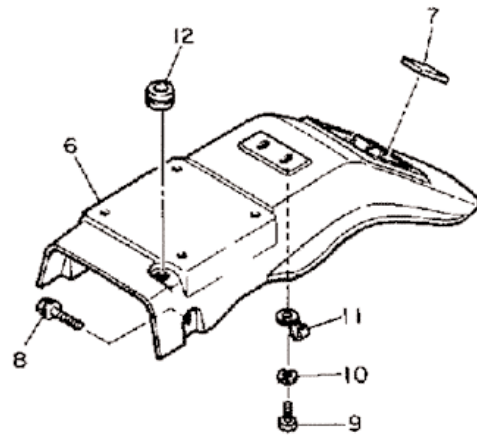
Item	Part #	Description	Req
1	5Y3-85540-51-00	CDI UNIT ASSEMBLY.	1
2	98580-06020-00	SCREW, PAN HEAD	2
3	92901-06600-00	WASHER	2
4	92995-06100-00	WASHER, SPRING	2
5	443-81910-62-00	VOLTAGE REG ASSEMBLY (498-81910)	1
6	98580-06012-00	SCREW, PAN HEAD	2
7	90201-06643-00	WASHER, PLATE	2
8	43F-82310-51-00	IGNITION COIL ASSEMBLY	1
9	98511-06025-00	SCREW PAN HEAD	2
10	371-82370-00-00	PLUG CAP ASSY	1
11	34K-82590-00-00	WIRE HARNESS ASSEMBLY	1
12	437-83936-01-00	BAND, SWITCH CORD	1
13	25G-83936-01-00	CLAMP	1
14	4V5-82520-00-00	LIGHT SWITCH ASSEMBLY	1
15	90340-10003-00	PLUG, STRAIGHT SCRW	1
16	90430-10171-00	GASKET	1

EXHAUST



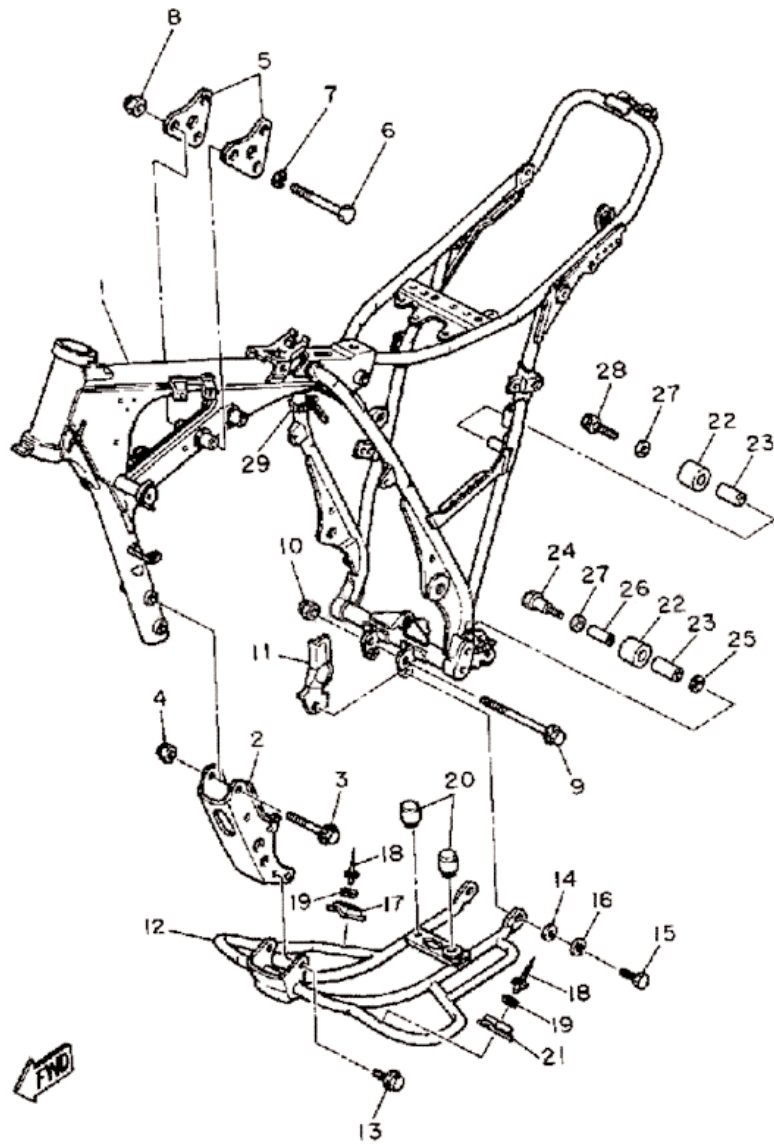
Item	Part #	Description	Req
1	34K-14611-01-00	PIPE, EXHAUST 1	1
2	34K-14711-02-00	MUFFLER L	1
3	34K-14752-00-00	PIPE, OUTLET	1
4	54G-14628-01-00	PROTECTOR, EXHAUST PIPE	1
5	90164-06017-00	SCREW, TAPPING	2
6	30X-14766-00-00	WASHER, PROTECTOR	4
7	90206-06090-00	WASHER, WAVE	2
8	98580-06008-00	SCREW, PAN HEAD	1
9	92995-06100-00	WASHER, SPRING	1
10	3YF-14755-00-00	GASKET, SILENCER	1
11	95816-08045-00	BOLT, FLANGE	1
12	3YF-14613-01-00	GASKET, EXHAUST PIPE	2
13	90179-06499-00	NUT	4
14	95811-08012-00	BOLT, FLANGE (95801-08012-00)	1
15	95821-08020-00	BOLT, FLANGE (95811-08020)	1
16	90201-08326-00	WASHER, PLATE	2

FENDER



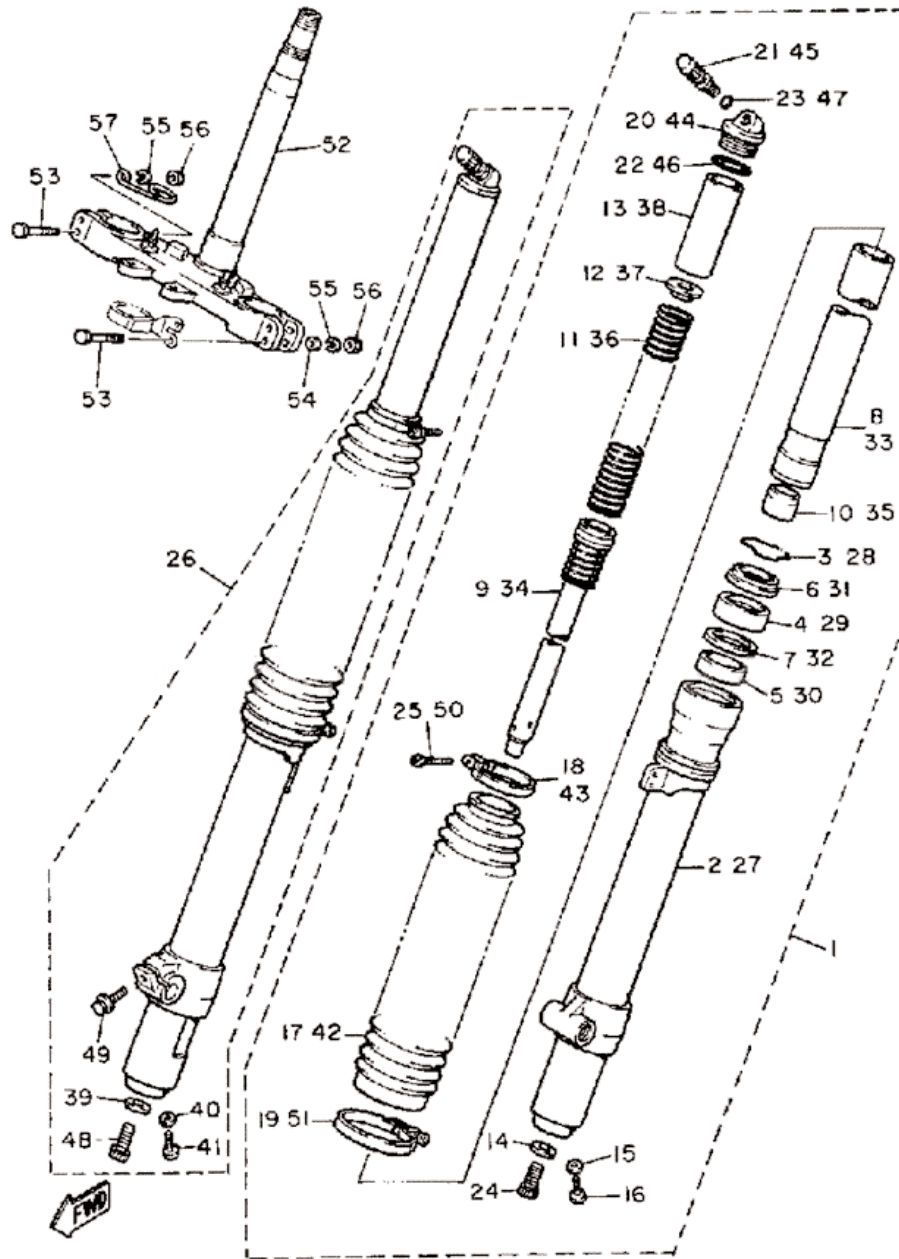
Item	Part #	Description	Req
1	34K-21511-00-00	FENDER, FRONT CLEAN WHITE	1
2	90201-06067-00	WASHER, PLATE	4
3	97023-06020-00	BOLT (3XF) (97302-06020)	4
4	92995-06100-00	WASHER, SPRING	4
5	90209-06187-00	WASHER	4
6	34K-21610-00-00	FENDER, REAR	1
7	2H7-21628-00-00	DAMPER 1 (4U5-2317J-00)	1
8	90119-06056-00	BOLT, WITH WASHER	3
9	97313-06016-00	BOLT	1
10	92995-06100-00	WASHER, SPRING	1
11	34K-21615-00-00	WASHER, SPECIAL 1	1
12	90480-13018-00	GROMMET	1

FRAME



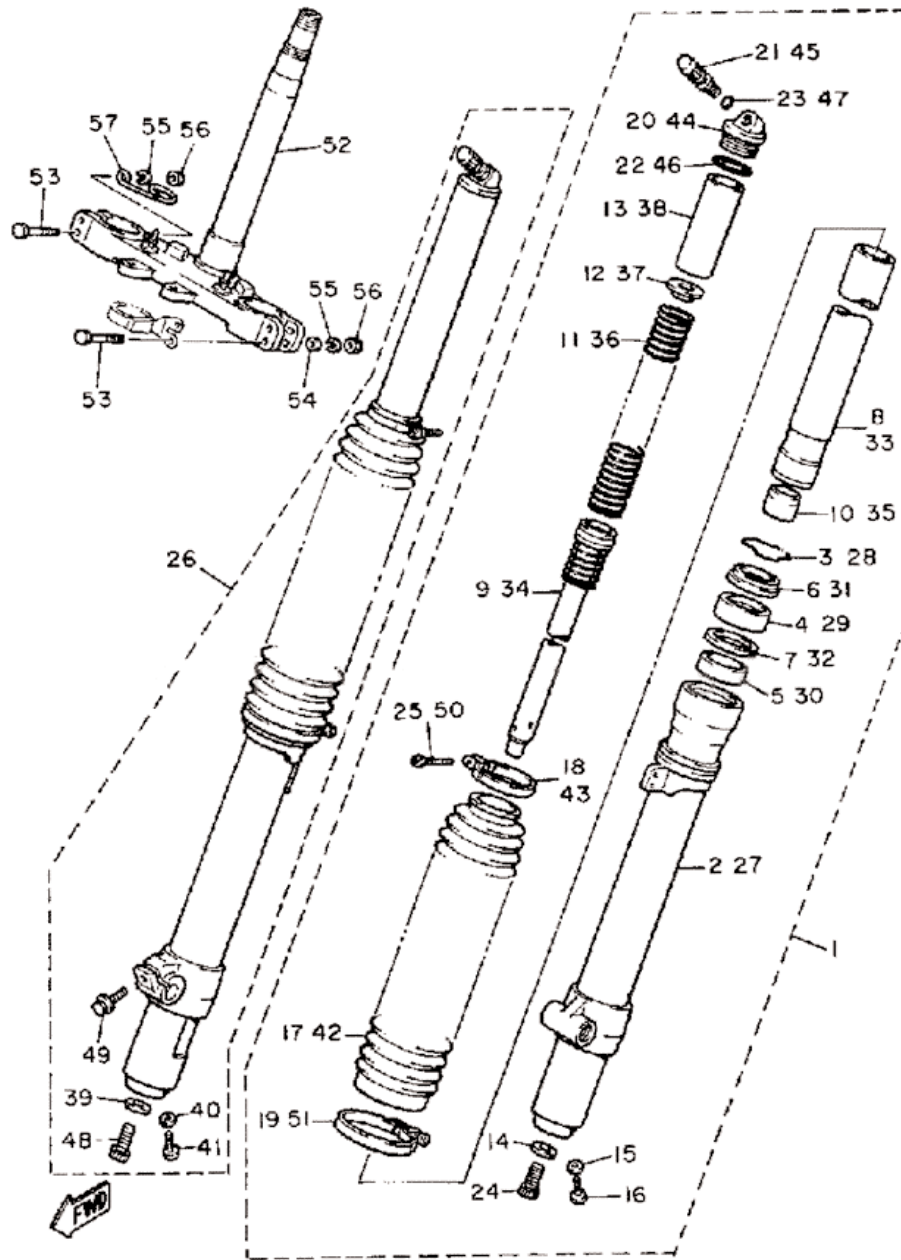
Item	Part #	Description	Req
1	34K-21110-00-FH	FRAME FIRE RED	1
1	34K-21110-01-FH	FRAME FIRE RED	1
2	34K-21360-0F-H	UNAVAILABLE IN PRICE BOOK	1
3	90105-10286-00	BOLT, FLANGE	4
4	90185-10060-00	NUT, SELF-LOCKING	4
5	34K-21315-00-00	STAY, ENGINE 2	2
6	97011-10080-00	BOLT	3
7	92990-10100-00	WASHER, SPRING	3
8	90185-10060-00	NUT, SELF-LOCKING	3
9	95811-10110-00	BOLT, FLANGE	1
10	90185-10060-00	NUT, SELF-LOCKING	1
11	34K-2176E-00-00	PLATE	1
12	34K-21471-00-FH	PROTECTOR, ENGINE FIRE RED	1
13	95811-08012-00	BOLT, FLANGE (95801-08012-00)	2
14	90201-06778-00	WASHER, PLATE	2
15	97011-06020-00	BOLT	2
16	92995-06100-00	WASHER, SPRING	2
17	34K-21485-00-00	DAMPER, RUBBER 1	1
18	90267-40075-00	RIVET, BLIND	2
19	90201-044H9-00	WASHER, PLATE	2
20	4N0-27114-00-00	STOPPER, MAIN STAND	2
21	34K-21486-00-00	DAMPER 2	1
22	30X-22178-00-00	TENSIONER	2
23	4V4-22184-00-00	BUSH	2
24	90109-08705-00	BOLT	1
25	90201-13202-00	WASHER, PLATE	1
26	90387-085E1-00	COLLAR	1
27	90201-08753-00	WASHER, PLATE	2
28	95811-08016-00	BOLT, FLANGE	1
29	437-83936-01-00	BAND, SWITCH CORD	2

FRONT FORK



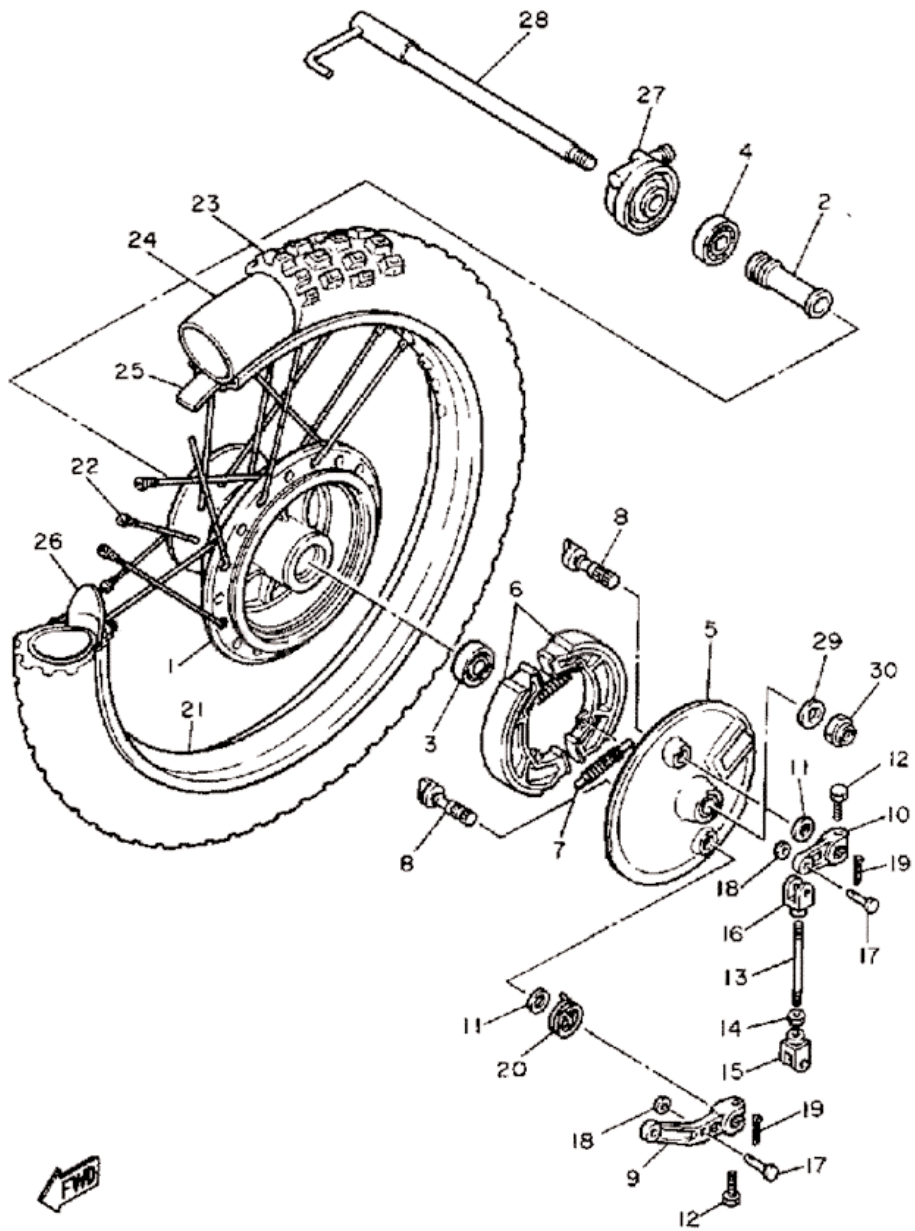
Item	Part #	Description	Req
1	34K-23102-00-00	FRONT FORK ASSEMBLY L	1
2	34K-23126-00-38	TUBE, OUTER 1	1
3	4V4-23153-L0-00	RING, SNAP	1
4	23X-23145-L0-00	OIL SEAL	1
5	3XJ-23125-L0-00	METAL, SLIDE 1	1
6	23X-23144-L0-00	SEAL, DUST	1
7	4V4-23146-L0-00	WASHER, OIL SEAL	1
8	55U-23110-00-00	INNER TUBE COMP.	1
9	34K-23170-00-00	CYLINDER, FRTRFRKFRONT FORK	1
10	4V4-23173-L0-00	SPINDLE, TAPER	1
11	34K-23141-00-00	SPRING, FRONT FORK U.R. STD	1
11	34K-23141-20-00	SPRING, FRTRFRK HARD (HARD) U.R. ALT.	1
12	4V4-23142-L0-00	SEAT, SPRING UPPER	1
13	5X6-23118-M0-00	SPACER (L=110)	1
14	4V4-23158-L0-00	GASKET	1
15	122-23129-00-00	GASKET, DRAIN PLUG	1
16	4H7-23119-00-00	PLUG, DRAIN	1
17	23X-23191-M0-00	BOOT, FRONT FORK	1
18	4V4-23192-L0-00	BAND	1
19	23X-23489-L0-00	BAND	1
20	43M-23111-L0-00	BOLT, CAP	1
21	23X-23190-L0-00	AIR VALVE COMP.	1
22	4V4-23188-L0-00	O-RING	1
23	3J2-23147-00-00	O-RING	1
24	34K-23181-00-00	BOLT, HEX SCKT HEADSOCKET HEA	1
25	98506-04018-00	SCREW, PAN HEAD	1
26	34K-23103-00-00	FRONT FORK ASSEMBLY R	1
27	34K-23136-00-00	TUBE, OUTER 2	1
28	4V4-23153-L0-00	RING, SNAP	1
29	23X-23145-L0-00	OIL SEAL	1
30	3XJ-23125-L0-00	METAL, SLIDE 1	1
31	23X-23144-L0-00	SEAL, DUST	1
32	4V4-23146-L0-00	WASHER, OIL SEAL	1
33	55U-23110-00-00	INNER TUBE COMP.	1
34	34K-23170-00-00	CYLINDER, FRTRFRKFRONT FORK	1
35	4V4-23173-L0-00	SPINDLE, TAPER	1
36	34K-23141-00-00	SPRING, FRONT FORK U.R. STD	1
36	34K-23141-20-00	SPRING, FRTRFRK HARD (HARD) U.R. ALT.	1
37	4V4-23142-L0-00	SEAT, SPRING UPPER	1
38	5X6-23118-M0-00	SPACER (L=110)	1
39	4V4-23158-L0-00	GASKET	1
40	122-23129-00-00	GASKET, DRAIN PLUG	1
41	4H7-23119-00-00	PLUG, DRAIN	1
42	23X-23191-M0-00	BOOT, FRONT FORK	1
43	4V4-23192-L0-00	BAND	1
44	43M-23111-L0-00	BOLT, CAP	1

FRONT FORK - 2



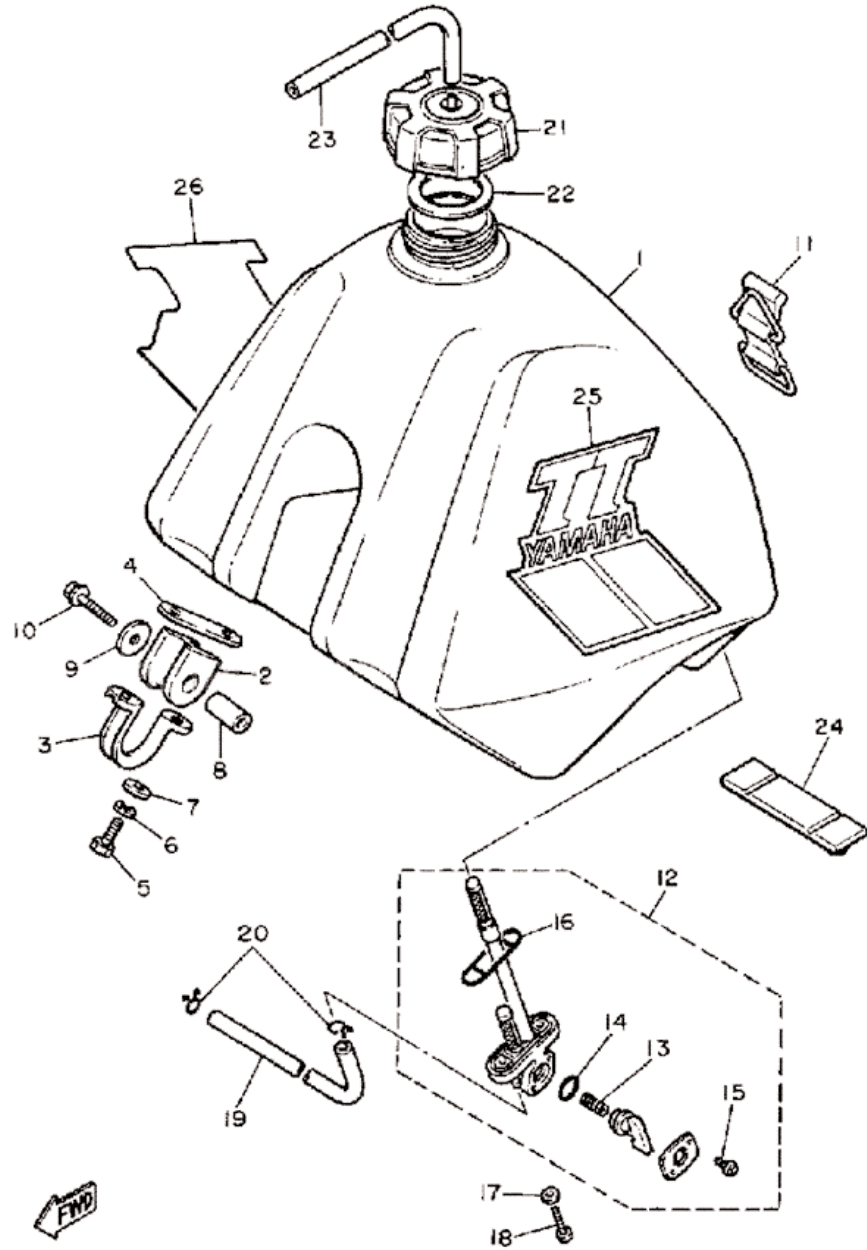
Item	Part #	Description	Req
45	23X-23190-L0-00	AIR VALVE COMP.	1
46	4V4-23188-L0-00	O-RING	1
47	3J2-23147-00-00	O-RING	1
48	34K-23181-00-00	BOLT, HEX SCKT HEADSOCKET HEA	1
49	5X6-23181-L0-00	BOLT, HEXAGON SOCKET HEAD	1
50	98506-04018-00	SCREW, PAN HEAD	1
51	26A-23489-L0-00	BAND	1
52	34K-23340-00-39	UNDER BRACKETCOMP (26A-23340-L0 NO BUFFING	1
53	90101-08340-00	BOLT	4
54	92901-08600-00	WASHER, PLATE	3
55	92990-08100-00	.WASHER, SPRING	4
56	95333-08600-00	NUT	4
57	4V5-23389-00-00	GUIDE, CABLE	1

FRONT WHEEL



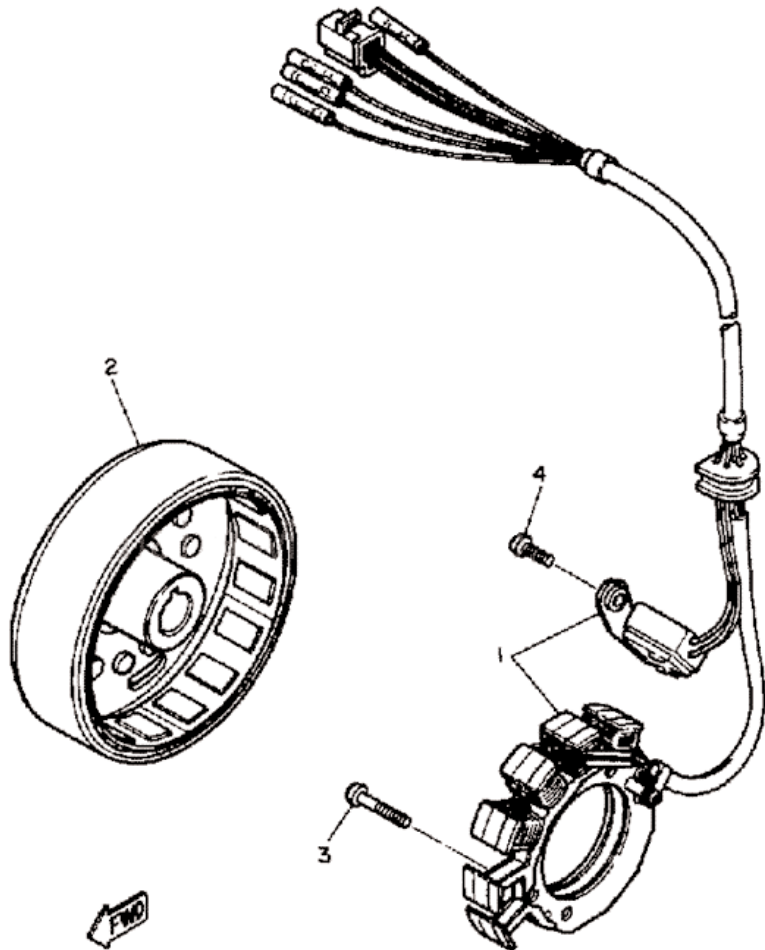
Item	Part #	Description	Req
1	23X-25111-00-98	HUB, FRONT LW GLOSS BK	1
2	90560-15227-00	SPACER	1
3	93306-20226-00	BEARING	1
4	93306-20209-00	BEARING	1
5	5X6-25121-00-98	PLATE, BRAKE SHOE LW GLOSS BK	1
6	3R5-W2535-00-00	BRAKESHOE SET-2PCS	2
7	90506-17328-00	SPRING, TENSION	2
8	23X-25151-00-00	CAMSHAFT	2
9	99999-02061-00	LEVER, CAMSHAFT	1
10	99999-02067-00	LEVER, CAMSHAFT 2	1
11	137-25159-00-00	SEAL, CAMSHAFT	2
12	90101-06291-00	BOLT	2
13	3R5-25161-00-00	ROD, CONNECTING	1
14	95380-06700-00	NUT	1
15	3R5-25163-00-00	END, ROD 1	1
16	3R5-25164-00-00	END, ROD 2	1
17	90240-06006-00	PIN, CLEVIS	2
18	92990-06200-00	WASHER, PLAIN	2
19	91490-20020-00	PIN, COTTER	2
20	90508-20425-00	SPRING, TORSION	1
21	94416-21359-00	RIM 1.60X21	1
22	26A-25104-00-00	SPOKE SET, FRONT	1
23	94110-213E7-00	100/80-21 M2E (TT)	1
24	94230-21126-00	TUBE INOUE	1
25	94330-21088-00	BAND, RIM INOUE	1
26	4V5-25194-00-00	SPACER, BEAD	1
27	26A-25190-00-00	GEAR UNIT ASSEMBLY	1
28	26A-25181-00-00	AXLE, WHEEL	1
29	90201-15785-00	WASHER, PLATE	1
30	90185-14116-00	NUT, SELF-LOCKING	1

FUEL TANK



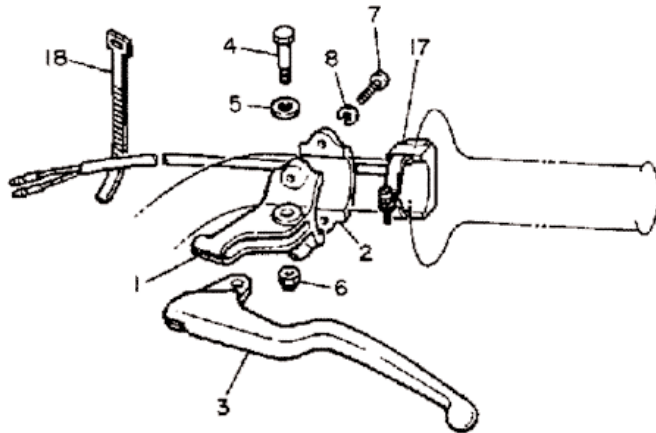
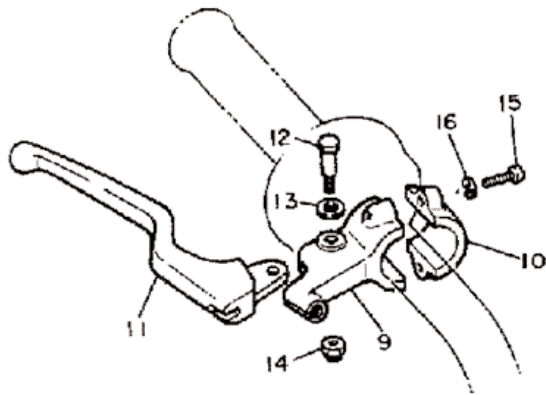
Item	Part #	Description	Req
1	34K-24110-01-00	FUEL TANK	1
2	1W1-24182-01-00	DAMPER, LOCATING 2	2
3	1W1-24144-01-00	HOLDER, DAMPER	2
4	34K-2413X-00-00	PLATE	2
5	97313-06016-00	BOLT	4
6	92995-06100-00	WASHER, SPRING	4
7	92901-06600-00	WASHER	4
8	90387-07393-00	COLLAR	2
9	90201-06407-00	WASHER, PLATE	2
10	90119-06022-00	BOLT, WITH WASHER	2
11	59V-24173-00-00	BAND, TANK FITTING 1	1
12	34K-24500-01-00	FUEL COCK ASSEMBLY 1	1
13	357-24529-10-00	SPRING	1
14	4X8-24534-00-00	SEAL, COCK	1
15	98580-06008-00	SCREW, PAN HEAD	2
16	4X8-24512-00-00	O-RING	1
17	90202-05187-00	WASHER, PLATE	2
18	90149-06011-00	SCREW	2
19	90445-10456-00	HOSE (L95)	1
20	90467-09006-00	CLIP	2
21	1UY-24610-00-00	CAP ASSEMBLY	1
22	3R9-24612-00-00	GASKET, CAP	1
23	90445-09777-00	HOSE (L300)	1
24	34K-24181-00-00	DAMPER, LOCATING 1	1
25	34K-24163-00-00	EMBLEM 3	1
25	34K-24163-10-00	EMBLEM 3	1
26	34K-24164-00-00	EMBLEM 4	1
26	34K-24164-10-00	EMBLEM 4	1

GENERATOR



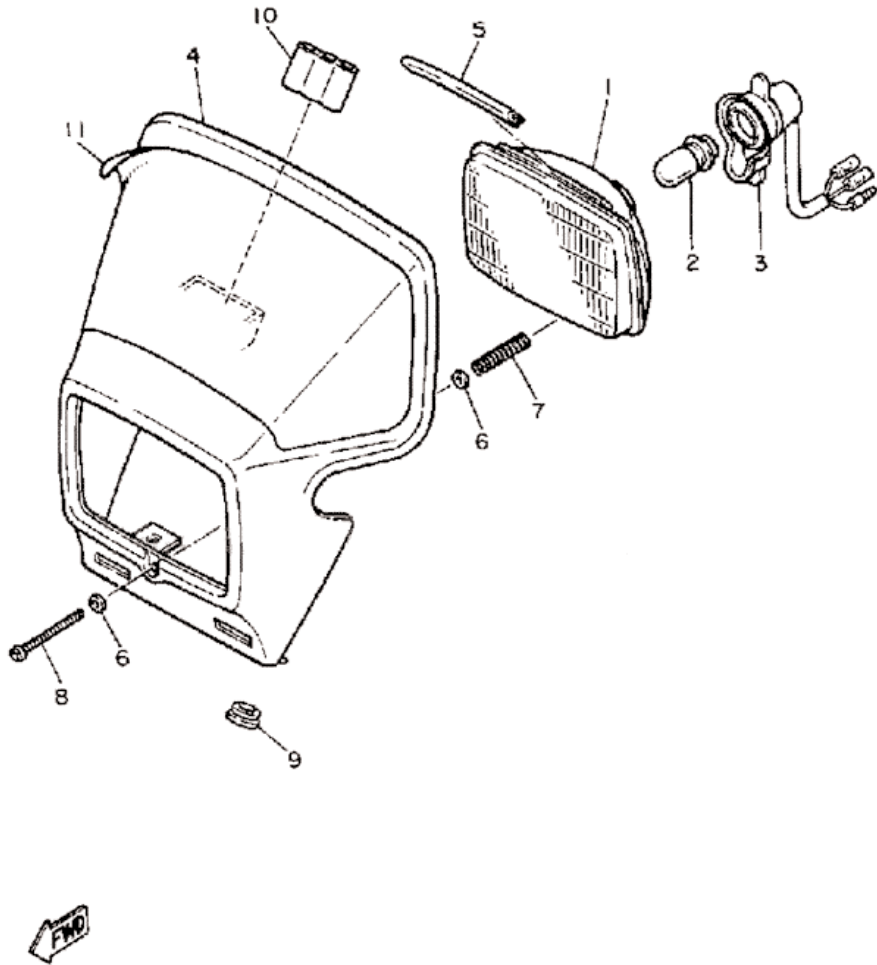
Item	Part #	Description	Req
1	36A-85510-50-00	STATOR ASSEMBLY	1
2	36A-85550-50-00	ROTOR ASSEMBLY.	1
3	98511-06025-00	SCREW PAN HEAD	4
4	98580-06020-00	SCREW, PAN HEAD	2

HANDLE SWITCH LEVER



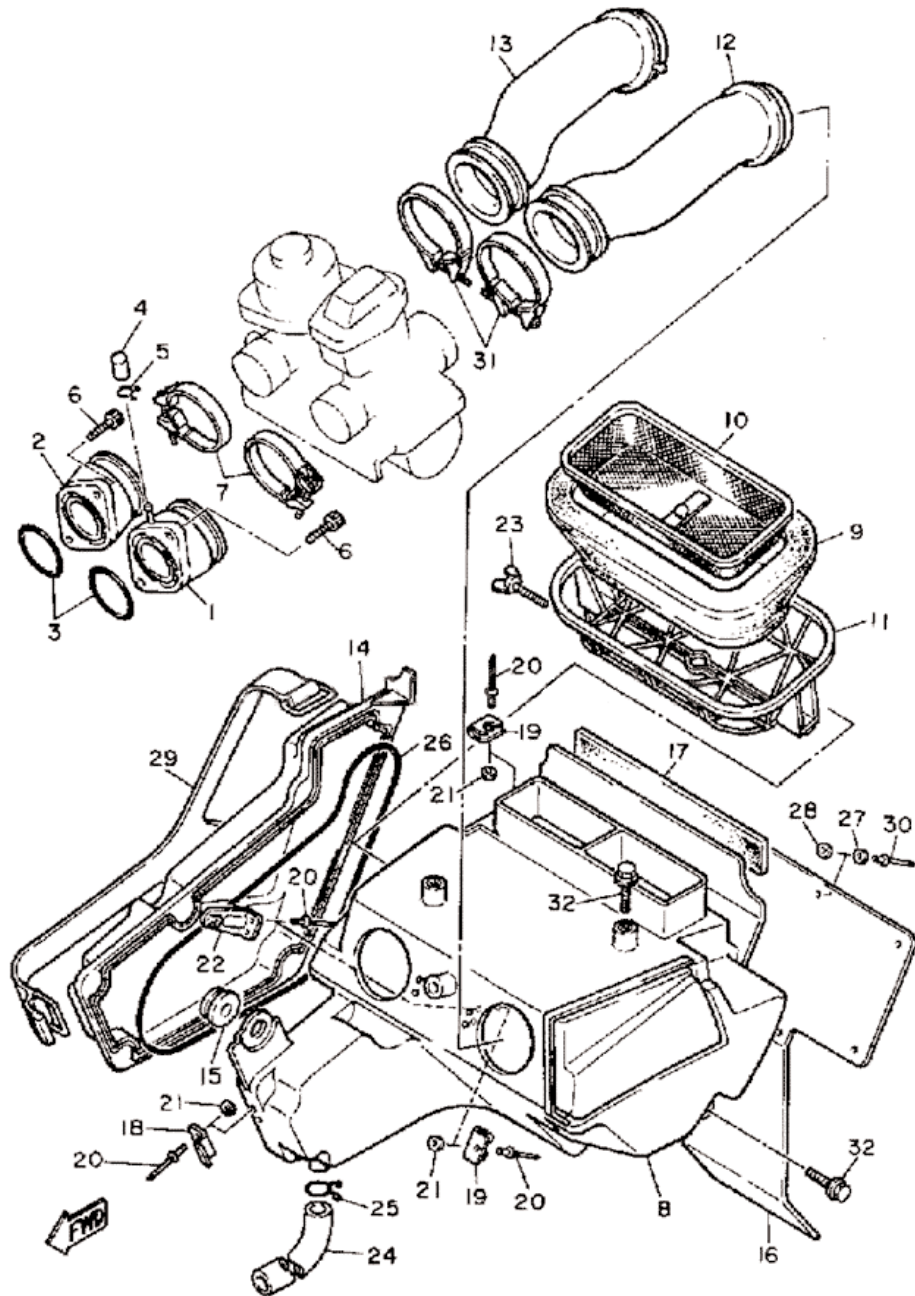
Item	Part #	Description	Req
1	38V-82911-00-00	HOLDER, LEVER 1	1
2	38V-82913-00-00	HOLDER, LEVER LOWER 1	1
3	23X-83912-00-00	.LEVER 1	1
4	90109-06797-00	BOLT	1
5	90201-08083-00	WASHER, PLATE	1
6	95601-06100-00	NUT, U	1
7	98506-05018-00	SCREW, PAN HEAD	2
8	92906-05100-00	.WASHER, SPRING	2
9	38V-82921-00-00	HOLDER, LEVER 2	1
10	38V-82913-00-00	HOLDER, LEVER LOWER 1	1
11	23X-83922-00-00	LEVER 2	1
12	90109-06797-00	BOLT	1
13	90201-08083-00	WASHER, PLATE	1
14	95601-06100-00	NUT, U	1
15	98506-05018-00	SCREW, PAN HEAD	2
16	92906-05100-00	.WASHER, SPRING	2
17	23X-83976-00-00	SWITCH, HANDLE 1	1
18	437-83936-01-00	BAND, SWITCH CORD	2

HEADLIGHT



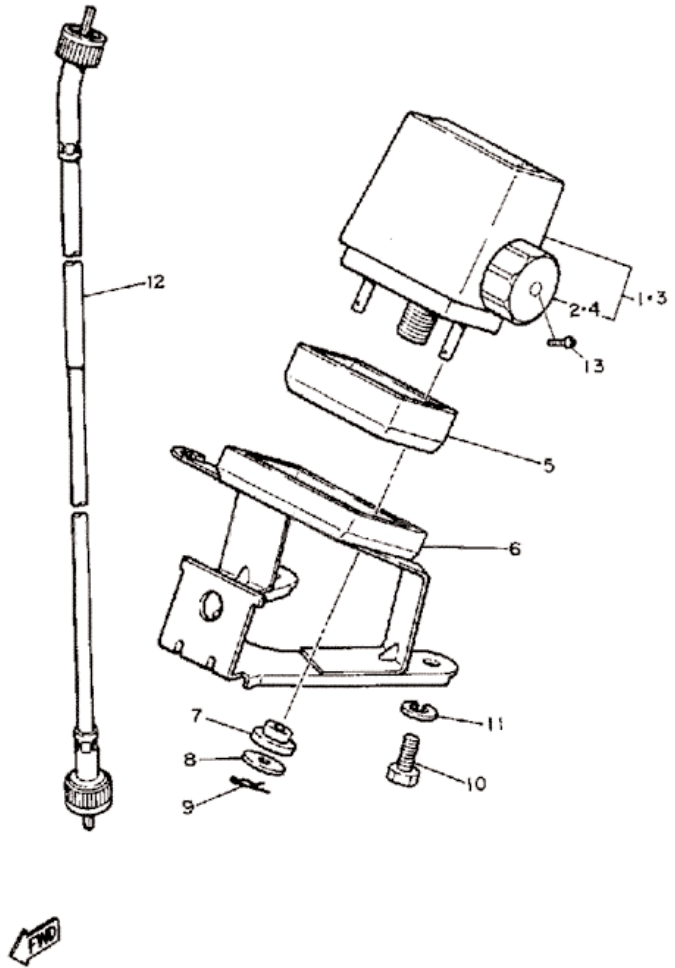
Item	Part #	Description	Req
1	18A-84120-00-00	LENS ASSEMBLY (26A-84110-00)	1
2	527-84114-09-XX	BULB, HL 6V25/25W	1
3	26A-84140-00-00	SOCKET CORD ASSEMBLY	1
4	34K-84111-01-00	BODY, HEADLIGHT	1
5	26A-84143-00-00	DAMPER, HEADLIGHT STAY	1
6	92901-04600-00	WASHER, PLATE	2
7	18A-84132-00-00	SPRING, SCREW	1
8	97701-40555-00	SCREW, RIM ADJUSTER (18A-84131-	1
9	90480-12053-00	GROMMET	2
10	4V5-83592-00-00	DAMPER	1
11	34K-84141-00-00	EMBLEM, HEADLIGHT	1

INTAKE



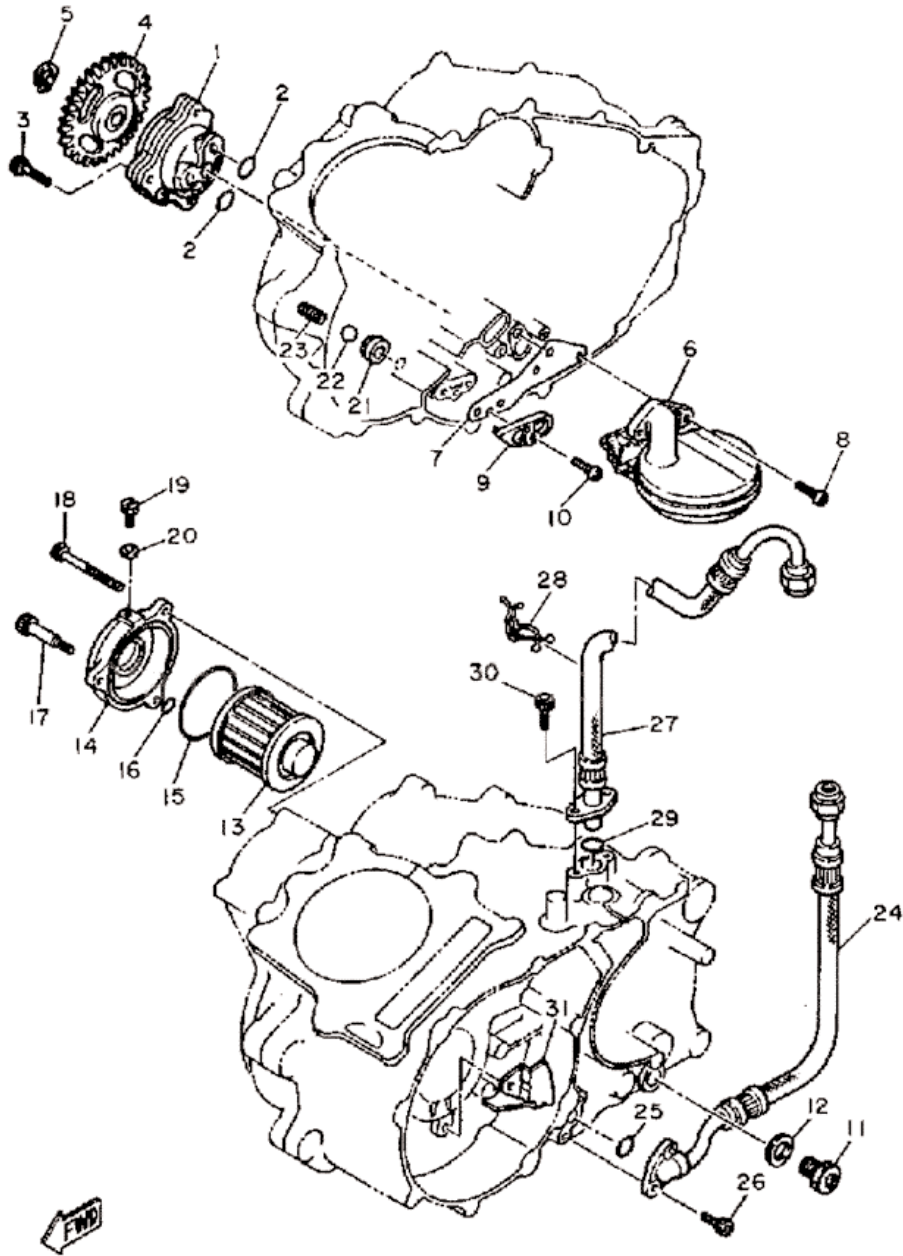
Item	Part #	Description	Req
1	34K-13586-00-00	JOINT, CARBURETOR 1	1
2	34K-13596-00-00	JOINT, CARBURETOR 2	1
3	93210-36549-00	O-RING	2
4	16G-13569-00-00	PLUG, BLIND	1
5	90467-10039-00	CLIP	1
6	91316-06020-00	BOLT	4
7	90460-46206-00	CLAMP, HOSE	2
8	99999-01506-00	AIR CLNR CASE ASSEMBLY	1
9	34K-14451-01-00	ELEMENT, AIR CLNR	1
10	99999-01455-00	GUIDE SET (TT600)	1
11	34K-14473-02-00	GUIDE, ELEMENT	1
12	34K-14453-00-00	JOINT, AIR CLNR 1	1
13	34K-14454-00-00	JOINT	1
14	34K-14412-01-00	CAP, CLEANER CASE 1	1
15	90480-13398-00	GROMMET	1
16	34K-21621-01-00	FLAP	1
17	34K-14426-00-00	DAMPER 2	1
18	26A-14436-00-00	HOOK	1
19	34K-14484-00-00	PLATE, CLEANER CASE FITTING	2
20	90267-40073-00	RIVET, BLIND	6
21	92990-04200-00	WASHER, PLAIN	4
22	34K-14493-01-00	STAY 1	1
23	90122-05010-00	BOLT, WING	1
24	1W4-14457-00-00	SEAL	1
25	90467-20030-00	CLIP	1
26	51Y-14462-00-00	SEAL	1
27	90201-047A2-00	WASHER, PLATE	7
28	92990-04200-00	WASHER, PLAIN	7
29	34K-14455-00-00	BAND	1
30	90267-40073-00	RIVET, BLIND	7
31	90460-51059-00	CLAMP, HOSE	2
32	95811-06012-00	BOLT, FLANGE (95801-06012)	3

METER



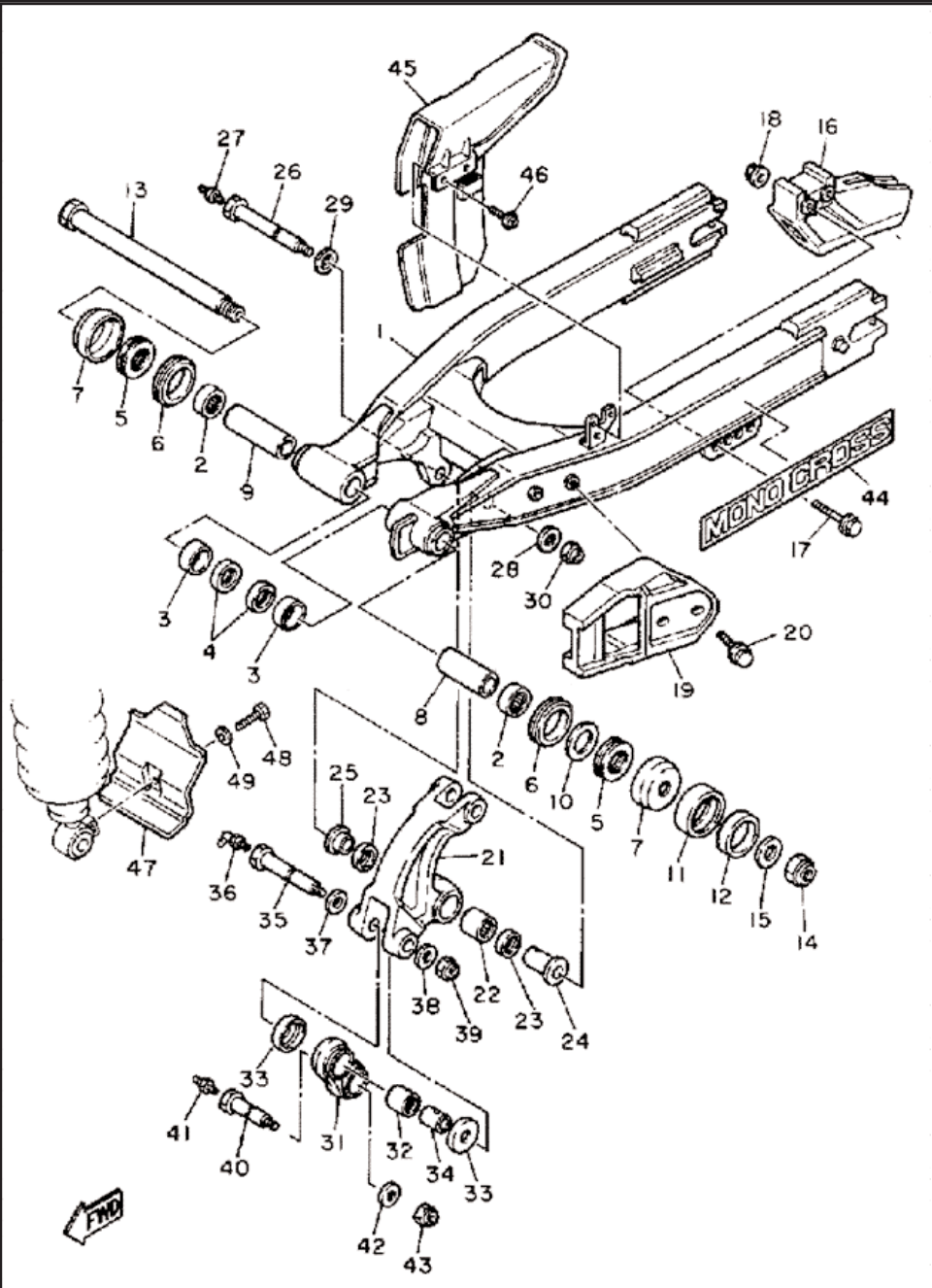
Item	Part #	Description	Req
1	4V5-83505-60-00	TRIP METER COMP. MILE	1
2	4V5-83578-00-00	KNOB, TRIP METER	1
3	4V5-83505-F0-00	TRIP METER CMPLT KM	1
4	4V5-83578-00-00	KNOB, TRIP METER	1
5	4V5-83519-00-00	BRACKET, METER	1
6	26A-83519-00-00	BRACKET, METER	1
7	1M1-83526-00-00	DAMPER 2	2
8	90201-052E2-00	WASHER, PLATE	2
9	90468-10050-00	CLIP	2
10	97013-06012-00	BOLT	2
11	92995-06100-00	WASHER, SPRING	2
12	4V5-83550-01-00	SPEEDOMETER CABLE	1
13	90157-02031-00	SCREW, PAN HEAD	1

OIL PUMP



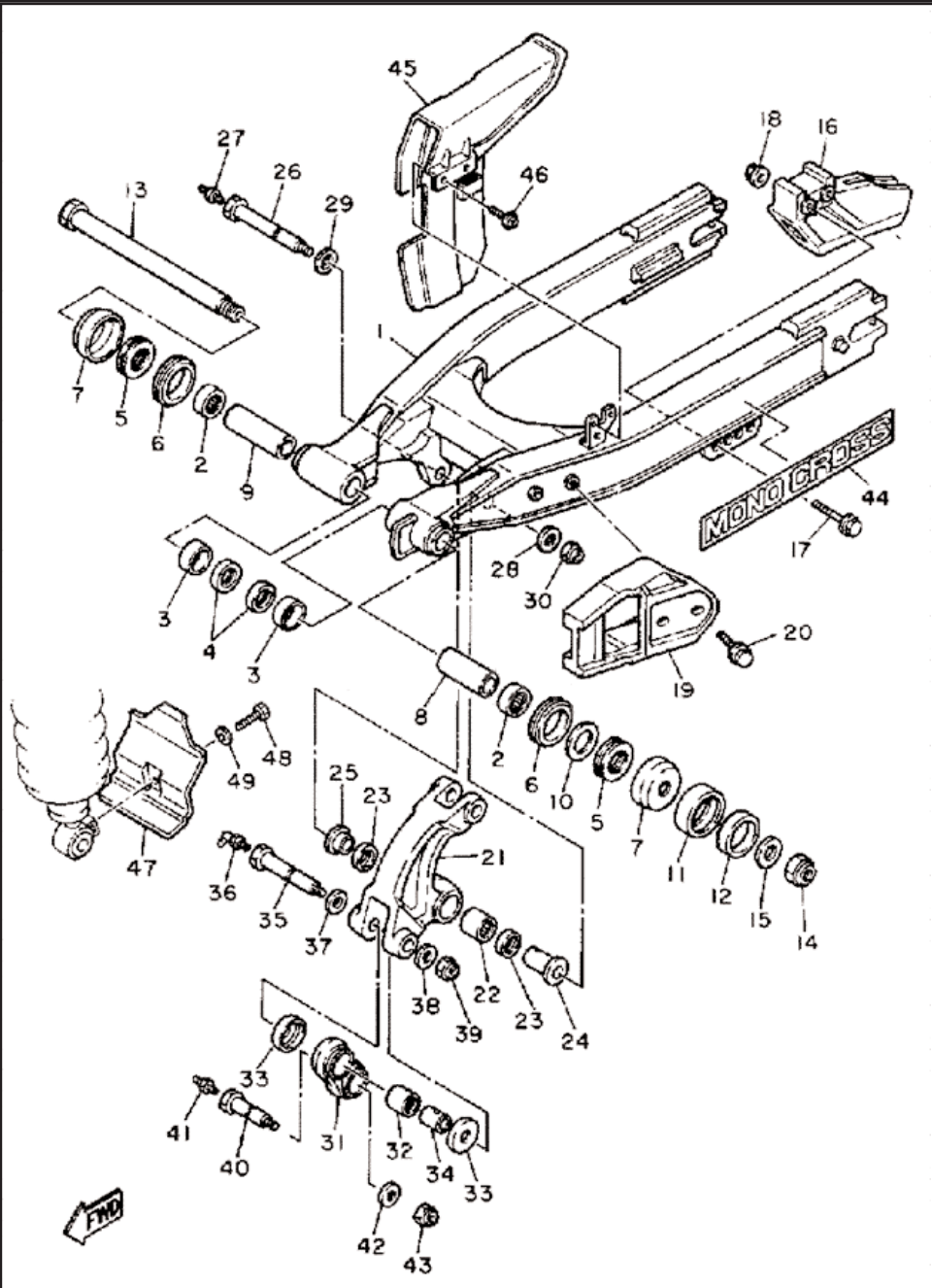
Item	Part #	Description	Req
1	99999-01858-00	OIL PUMP KIT (3AJ)	1
2	93210-13361-00	O-RING	2
3	91316-06035-00	BOLT	3
4	99999-01925-00	OIL PUMP GEAR KIT	1
5	99009-11400-00	CIRCLIP	1
6	5Y1-W1343-00-00	STRAINER COMP.	1
7	4DW-13415-00-00	SEAL, OIL STRAINER	1
8	98503-06014-00	SCREW, PAN HEAD	2
9	5Y1-15427-01-00	COVER, CAP 2	1
10	98503-06014-00	SCREW, PAN HEAD	1
11	3VD-13455-00-00	PLUG	1
12	214-11198-01-00	.GASKET	1
13	4X7-13440-90-00	ELEMENT ASSY, OIL CLEANER	1
14	583-13447-01-00	COVER, OIL ELEMENT	1
15	93210-64297-00	O-RING	1
16	93210-07135-00	O-RING	1
17	90109-06419-00	BOLT	1
18	91316-06080-00	BOLT	2
19	90149-05110-00	SCREW	1
20	90430-05126-00	GASKET	1
21	583-13113-00-00	SEAT, CHECK BALL	1
22	93503-08007-00	BALL	1
23	90501-05378-00	SPRING, COMPRESSION	1
24	34K-13464-00-00	HOSE, OIL 1	1
25	93210-10197-00	O-RING	1
26	91316-06016-00	BOLT	2
27	34K-13465-00-00	HOSE, OIL 2	1
28	90464-20064-00	CLAMP	1
29	93210-15171-00	O-RING	1
30	91316-06016-00	BOLT	2
31	5Y1-13371-00-00	PLATE	1

REAR ARM



Item	Part #	Description	Req
1	34K-22110-00-00	REAR ARM	1
2	93317-32231-00	BEARING	2
3	90380-22111-00	BUSH, SOLID	2
4	93106-22019-00	OIL SEAL (DC 22-28-8)	2
5	93342-22208-00	BEARING	2
6	93108-35004-00	OIL SEAL (35-41-8)	2
7	3R4-22129-00-00	COVER, THRUST 2	2
8	90380-16126-00	BUSH, SOLID	1
9	90380-16127-00	BUSH, SOLID	1
10	240-22127-00-00	SHIM (0.3T) U.N.	1
11	5X6-22151-10-00	SEAL, GUARD	1
12	90387-440G3-00	COLLAR	1
13	34K-22141-01-00	SHAFT, PIVOT	1
13	5Y1-22141-00-00	SHAFT, PIVOT	1
14	90185-16103-00	NUT, SELF-LOCKING	1
15	90201-160F6-00	WASHER, PLATE	1
16	23X-22199-00-00	SUPPORT, CHAIN	1
17	95811-08055-00	BOLT, FLANGE	2
18	95601-08200-00	NUT, SELF LOCKING	2
19	5X6-22147-01-00	PROTECTOR, CHAIN	1
20	95811-06016-00	BOLT, FLANGE (95801-06016)	2
21	34K-2217A-00-00	ARM, RELAY	1
22	93317-32034-00	BEARING, CYLINDRICAL	1
23	93109-20029-00	OIL SEAL	2
24	90387-147G6-00	COLLAR	1
25	90387-147G7-00	COLLAR	1
26	90109-12701-00	BOLT	1
27	93700-06M03-00	NIPPLE, GREASE	1
28	90201-120A5-00	WASHER, PLATE	1
29	90201-142M6-00	WASHER, PLATE	1
30	90185-12119-00	NUT, SELF-LOCKING	1
31	23X-2217F-00-00	ROD, CONNECTING 1	1
32	93315-31732-00	BEARING, CYLINDRICAL	2
33	55K-22129-00-00	COVER, THRUST 2	4
34	90387-121H1-00	COLLAR	2
35	90109-10702-00	BOLT	1
36	93700-06005-00	NIPPLE, GREASE	1
37	90201-120E6-00	WASHER, PLATE	1
38	90201-100E9-00	WASHER, PLATE	1
39	90185-10120-00	NUT, SELF-LOCKING	1
40	90109-10703-00	BOLT	1
41	93700-06M03-00	NIPPLE, GREASE	1
42	90201-100F7-00	WASHER, PLATE	1
43	95611-10100-00	NUT, U	1
44	5X3-2218A-00-00	EMBLEM, REAR ARM	2
45	34K-22311-00-00	CASE, CHAIN	1
46	90159-06058-00	SCREW, WITH WASHER	2
47	34K-21629-01-00	GUARD, MUD	1

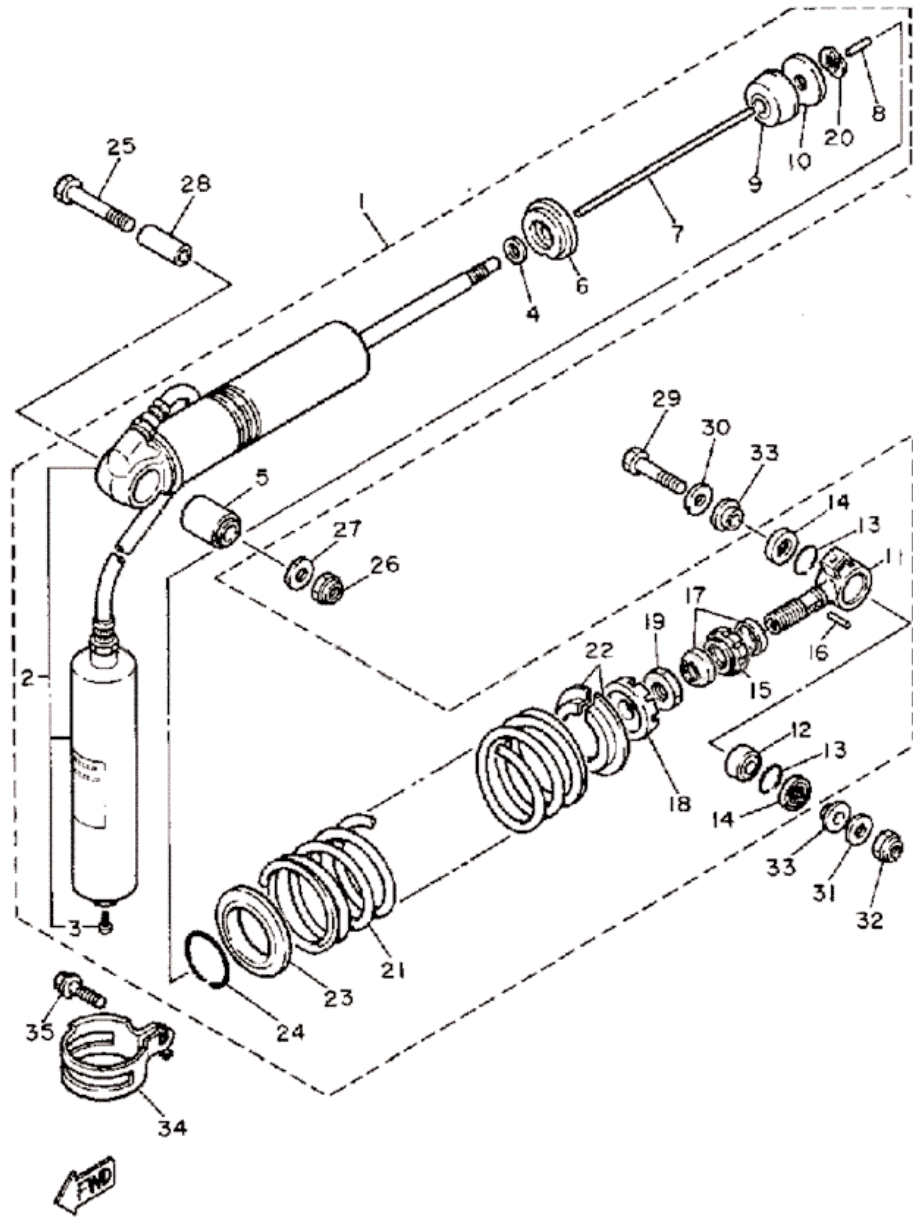
REAR ARM



Item	Part #	Description	Req
------	--------	-------------	-----

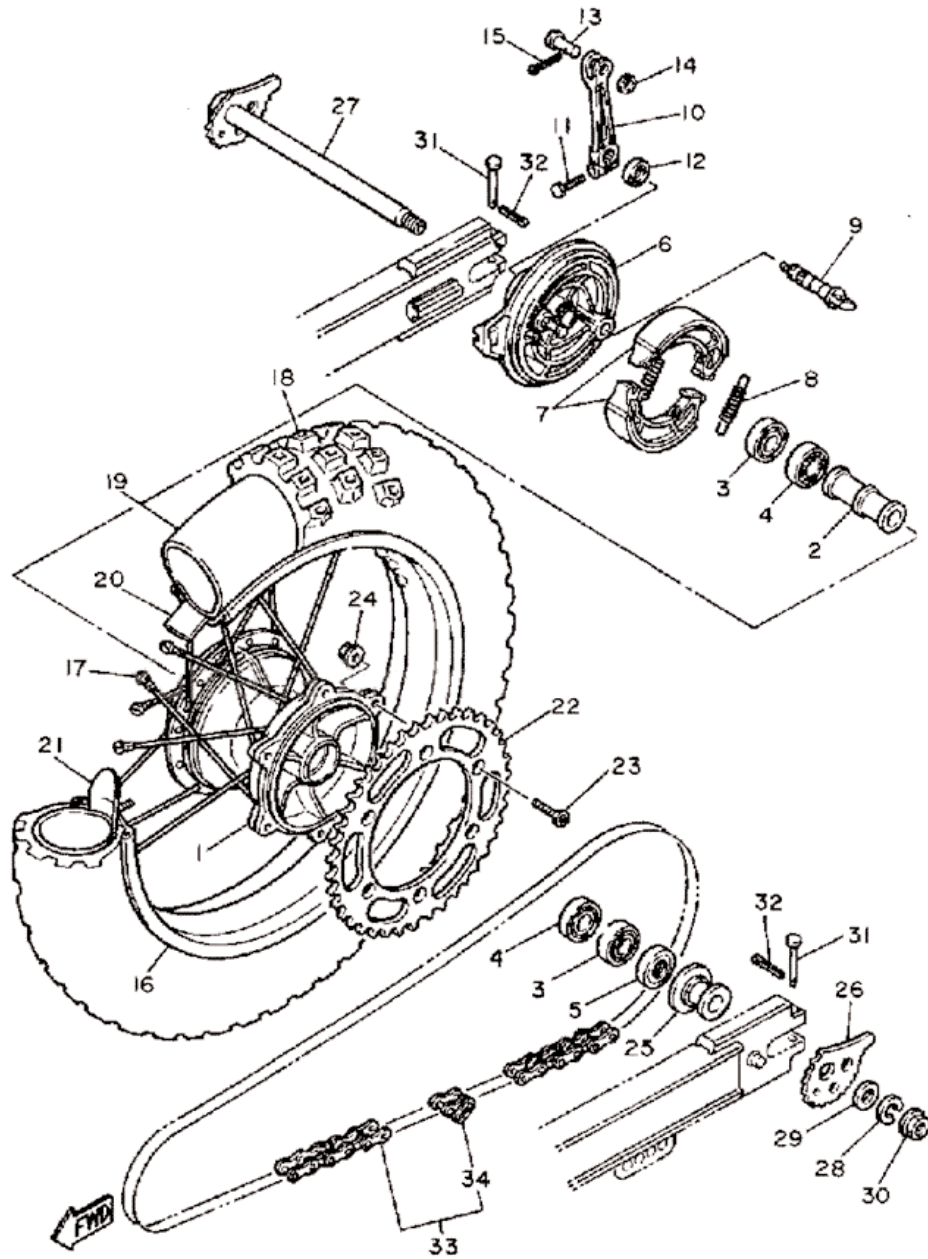
48	91316-06012-00	BOLT	1
49	90201-06059-00	WASHER, PLATE	1

REAR SUSPENSION



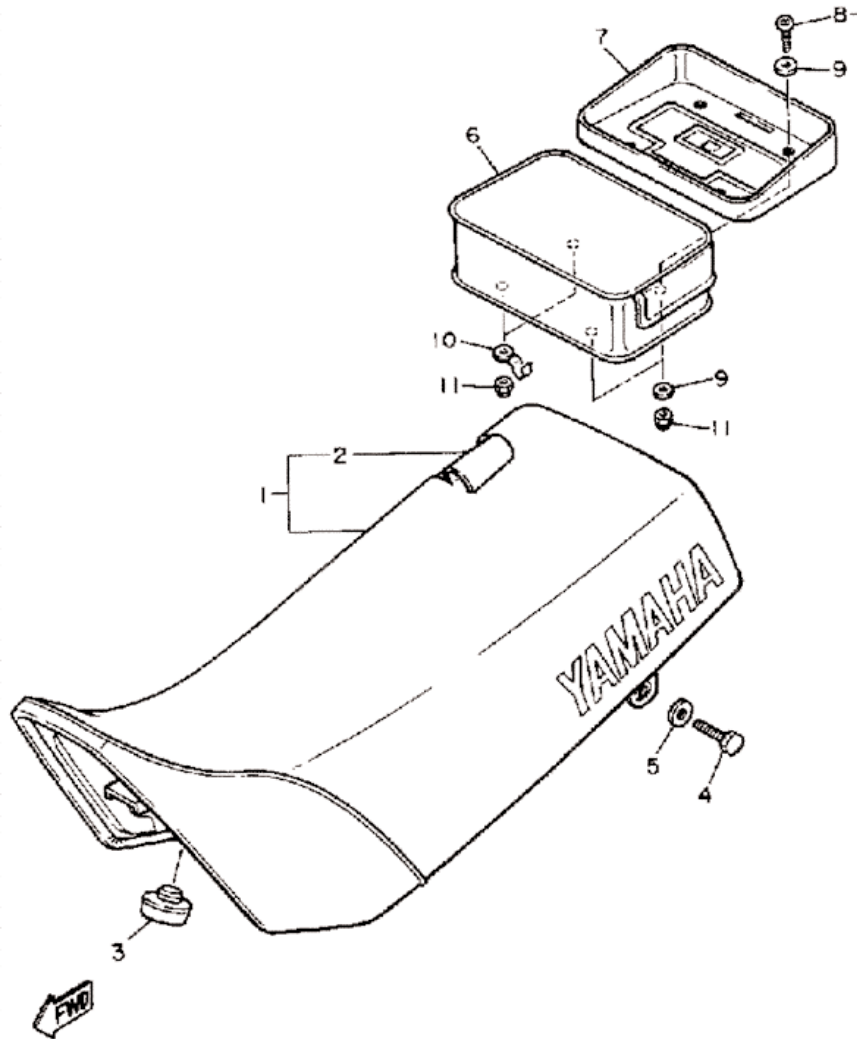
Item	Part #	Description	Req
1	3SW-22210-00-6W	SHK/ABS ASSEMBLY, REAR	1
2	34K-22401-00-00	DAMPER SUB-ASSEMBLY	1
3	98511-04006-00	SCREW, PAN HEAD	1
4	23X-22475-00-00	SEAL, DUST	1
5	5X6-22216-00-00	BUSH, RR SHOCK ABS	1
6	26A-22472-00-00	CAP, CASE	1
7	34K-22489-00-00	ROD, PUSH	1
8	93604-21193-00	PIN, DOWEL	1
9	50T-22493-00-00	BUMP, STOP	1
10	3R4-22228-00-00	SUPPORT, BUMP STOP	1
11	34K-22409-00-00	UPPER BRKT SUB	1
12	93399-99911-00	BEARING	1
13	93440-30113-00	CIRCLIP	2
14	93104-18077-00	OIL SEAL	2
15	5X3-22497-00-00	NUT, ADJUSTING	1
16	93604-26132-00	PIN, DOWEL	1
17	3R4-22221-01-00	COVER	2
18	23X-22213-00-00	SEAT, SPRING UPPER	1
19	90170-20320-00	NUT	1
20	90206-14067-00	WASHER, WAVE	1
21	34K-22212-00-6W	SPRING U.R. NATIVE RED	1
21	34K-22212-20-6W	SPRING, MXS HARD U.R. ALT.	1
22	23X-22214-00-00	GUIDE, SPRING 1	2
23	23X-22223-00-00	SEAT, SPRING LOWER	1
24	93440-51103-00	CIRCLIP	1
25	90109-10690-00	BOLT	1
26	90185-10120-00	NUT, SELF-LOCKING	1
27	90201-100F7-00	WASHER, PLATE	1
28	90380-12094-00	BUSH, SOLID	1
29	90109-10700-00	BOLT	1
30	90201-120E6-00	WASHER, PLATE	1
31	90201-100E9-00	WASHER, PLATE	1
32	90185-10120-00	NUT, SELF-LOCKING	1
33	90387-126H8-00	COLLAR	2
34	34K-22262-00-00	HOLDER, SUB TANK	1
35	95811-06012-00	BOLT, FLANGE (95801-06012)	1

REAR WHEEL



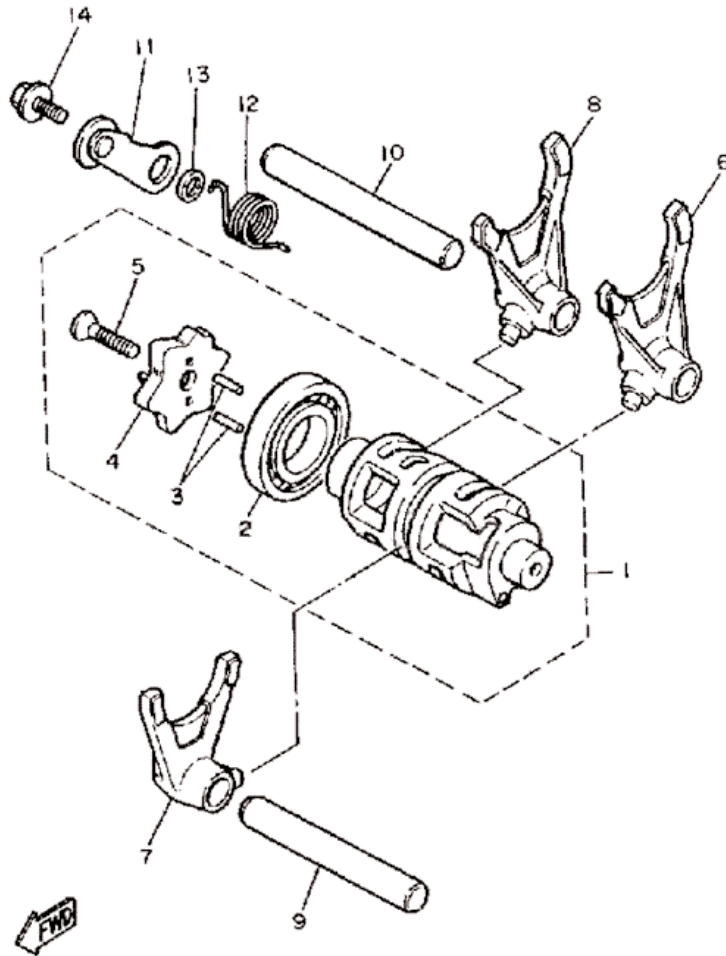
Item	Part #	Description	Req
1	23X-25311-00-98	HUB, REAR LW GLOSS BK	1
2	90560-20226-00	SPACER	1
3	93306-00418-00	BEARING	2
4	93306-00406-00	BEARING (B6004Z)	2
5	93102-28022-00	OIL SEAL	1
6	26A-25321-00-98	PLATE, BRAKE SHOE LW	1
7	437-W2536-00-00	BRAKESHOE SET-2PCS	2
8	90506-17328-00	SPRING, TENSION	2
9	26A-25351-00-00	CAMSHAFT	1
10	34L-25355-00-00	LEVER, CAMSHAFT	1
11	90101-06291-00	BOLT	1
12	148-25359-00-00	SEAL, CAMSHAFT	1
13	1W2-27237-00-00	PIN, CLEVIS	1
14	90201-12631-00	WASHER, PLATE	1
15	91401-25030-00	PIN, COTTER	1
16	94425-18358-00	RIM 2.50X18	1
17	23X-25304-00-00	SPOKE SET, REAR	1
18	94115-186A2-00	150/80-18 M2A (TT) (94151-18684	1
19	94245-18125-00	TUBE INOUE	1
20	94345-18081-00	BAND, RIM INOUE	1
21	2X5-25394-00-00	SPACER, BEAD	2
22	26A-25450-50-00	SPROCKET, DRIVEN (50T)	1
23	90109-08706-00	BOLT	6
24	95601-08200-00	NUT, SELF LOCKING	6
25	26A-25383-00-00	COLLAR, WHEEL	1
26	4V5-25388-01-00	PULLER, CHAIN 1	1
27	26A-25381-01-00	AXLE, WHEEL	1
28	92901-18100-00	WASHER, SPRING	1
29	92901-20600-00	WASHER	1
30	90179-18332-00	NUT	1
31	91701-05045-00	PIN, CLEVIS	2
32	91490-16020-00	PIN, COTTER	2
33	94580-40112-00	CHAIN (25Y)	1
34	94680-50011-00	JOINT, CHAIN (34L) (D.I.D.50H	1

SEAT



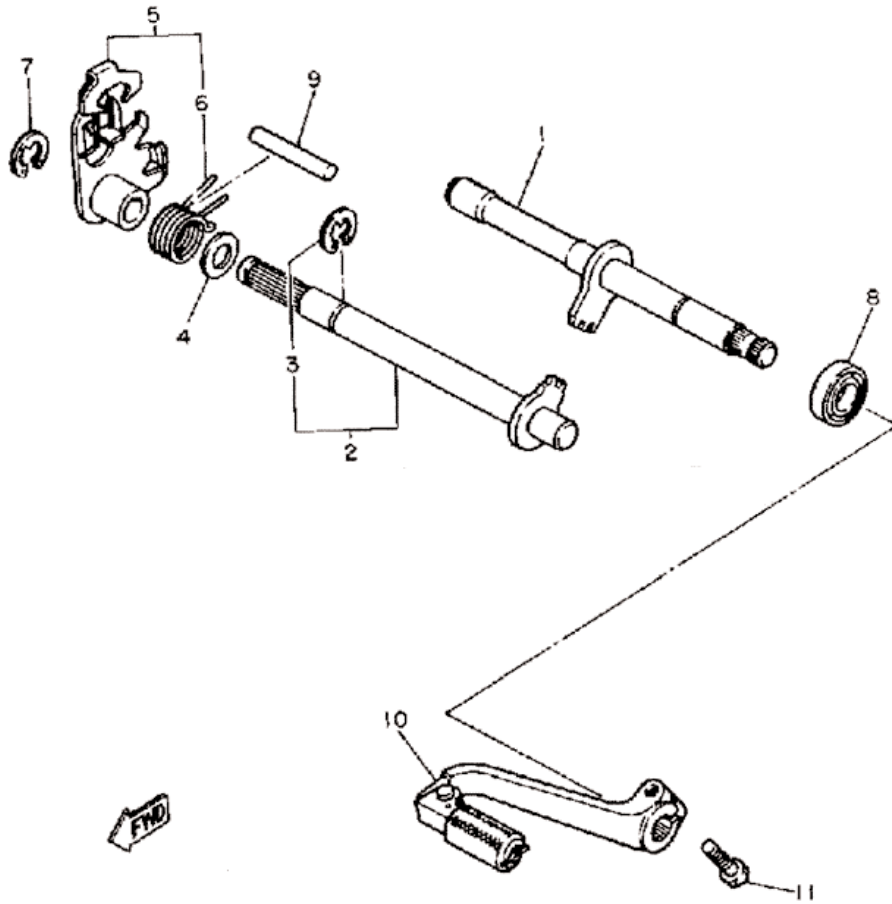
Item	Part #	Description	Req
1	34K-24710-11-00	SINGLE SEAT ASSEMBLY	1
2	34K-24731-10-00	COVER, SEAT	1
3	1L9-24741-00-00	PAD, SEAT	1
4	97313-06016-00	BOLT	2
5	90201-06M02-00	WASHER, PLATE	2
6	4V5-24850-00-00	CARRIER BOX ASSEMBLY	1
7	4V5-24833-00-00	BRACKET, CARRIER 2	1
8	98580-06020-00	SCREW, PAN HEAD	4
9	90201-06571-00	WASHER, PLATE	6
10	34K-21615-00-00	WASHER, SPECIAL 1	2
11	95601-06100-00	NUT, U	4

SHIFT CAM FORK



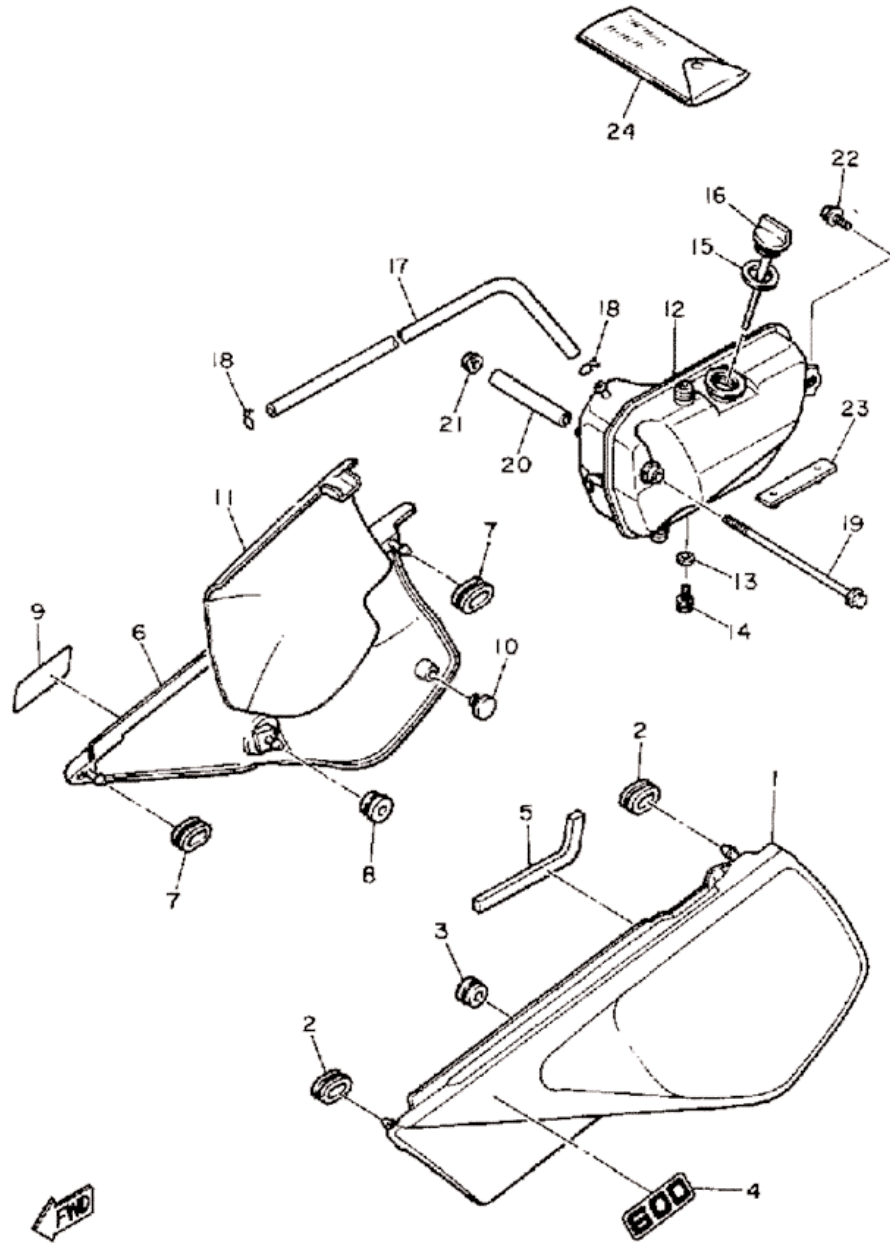
Item	Part #	Description	Req
1	3YF-18540-00-00	SHIFT CAM ASSEMBLY	1
2	93316-00503-00	BEARING, CYLINDER.#16 (93316-	1
3	93604-10011-00	PIN, DOWEL	2
4	5Y1-18185-00-00	SEGMENT	1
5	90151-06017-00	SCREW, COUNTERSUNK	1
6	5Y1-18511-00-00	FORK, SHIFT 1	1
7	5Y1-18512-00-00	FORK, SHIFT 2	1
8	5Y1-18513-00-00	FORK, SHIFT 3	1
9	3YF-18531-00-00	BAR, SHIFT FORK GUIDE 1	1
10	34K-18535-00-00	BAR, SHIFT FORK GUIDE 2	1
11	34K-18140-00-00	STOPPER LEVER ASSEMBLY	1
12	90508-29527-00	SPRING, TORSION	1
13	90387-063F7-00	COLLAR	1
14	90159-06078-00	SCREW, WITH WASHER	1

SHIFT SHAFT



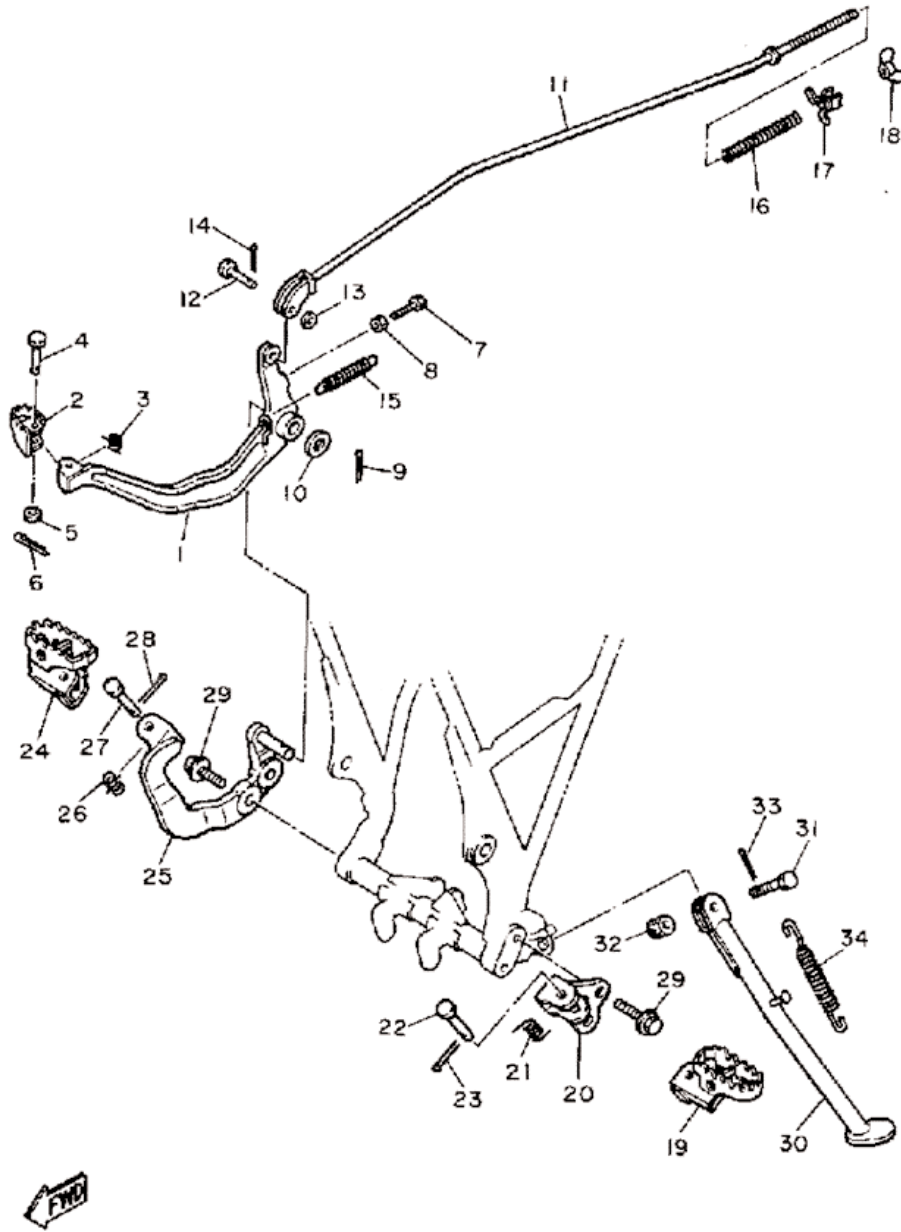
Item	Part #	Description	Req
1	43F-18102-02-00	SHIFT SHAFT ASSEMBLY 2	1
2	5Y1-18101-02-00	SHIFT SHAFT ASSEMBLY	1
3	99006-10600-00	CIRCLIP	1
4	90201-12474-00	WASHER, PLATE	1
5	34K-18120-00-00	SHIFT LEVER ASSEMBLY	1
6	90508-29629-00	SPRING, TORSION	1
7	93102-12321-00	OIL SEAL	1
7	99001-09600-00	CIRCLIP	1
9	93608-33046-00	PIN, DOWEL	1
10	34K-18110-02-00	SHIFT PEDAL ASSEMBLY	1
11	97011-06025-00	BOLT	1

SIDE COVER



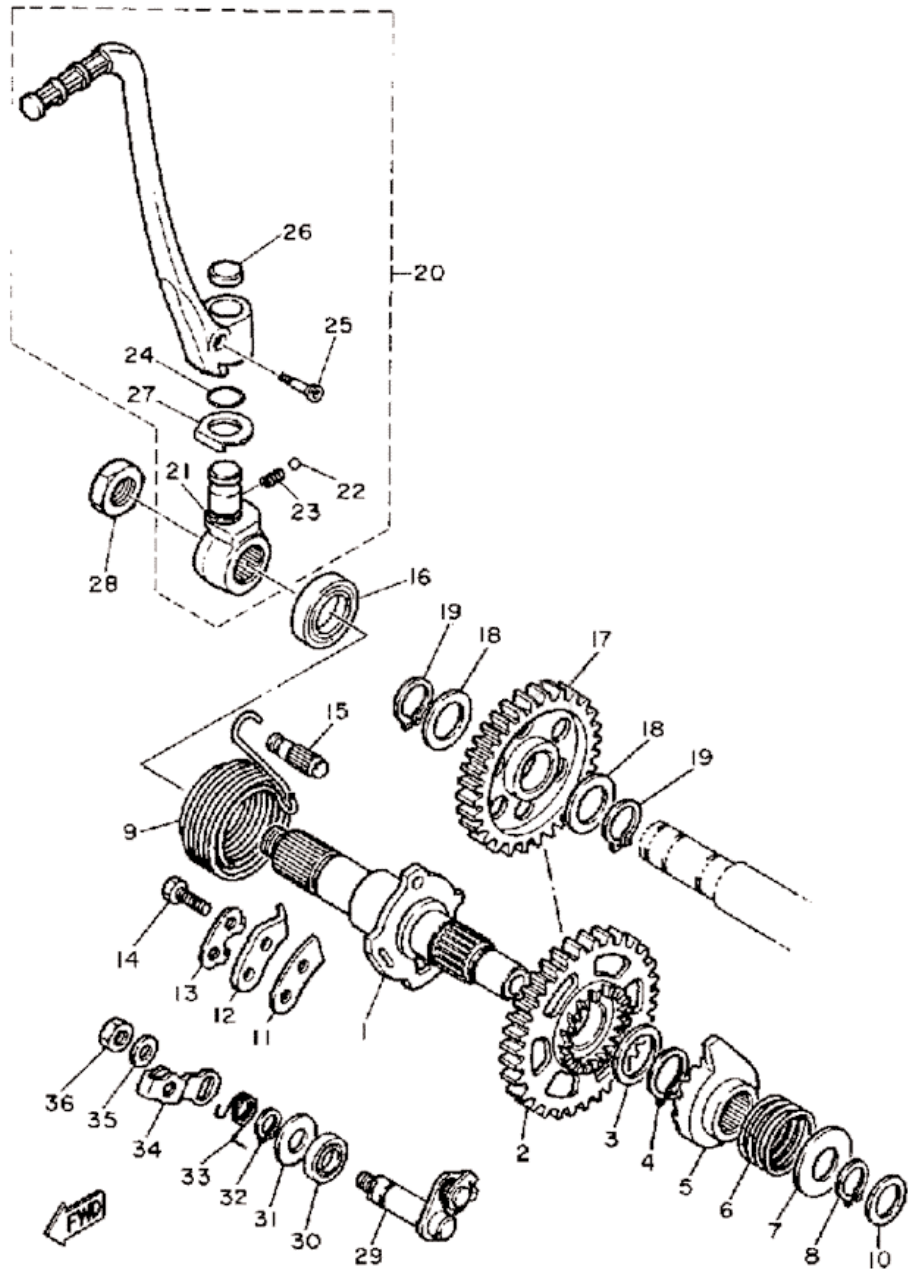
Item	Part #	Description	Req
1	34K-21711-00-2X	COVER, SIDE 1 LW GLOSS BK	1
2	90480-01401-00	GROMMET	2
3	90480-13398-00	GROMMET	1
4	34K-21737-00-00	EMBLEM	1
5	34K-21732-00-00	SEAL 1	1
6	34K-21721-00-2X	COVER, SIDE 2 LW GLOSS BK	1
7	90480-01401-00	GROMMET	2
8	90480-13398-00	GROMMET	1
9	34K-21737-00-00	EMBLEM	1
10	30X-24768-00-00	STOPPER	1
11	34K-2174A-00-00	INSULATOR, SIDE CVR	1
12	34K-21751-00-00	TANK, OIL	1
13	90201-08087-00	WASHER, PLATE	1
14	95811-08012-00	BOLT, FLANGE (95801-08012-00)	1
15	90430-27124-00	GASKET	1
16	34K-21771-00-00	BODY, CAP	1
17	90445-11748-00	HOSE	1
18	90467-10008-00	CLIP	2
19	95826-08205-00	BOLT, FLANGE	1
20	90387-081J3-00	COLLAR	1
21	95706-08500-00	NUT, flange	1
22	95811-08012-00	BOLT, FLANGE (95801-08012-00)	1
23	34K-21778-00-00	DAMPER, LOCATING 1	1
24	1LN-W2810-00-00	TOOL KIT (34K-28100-00)	1

STAND FOOTREST



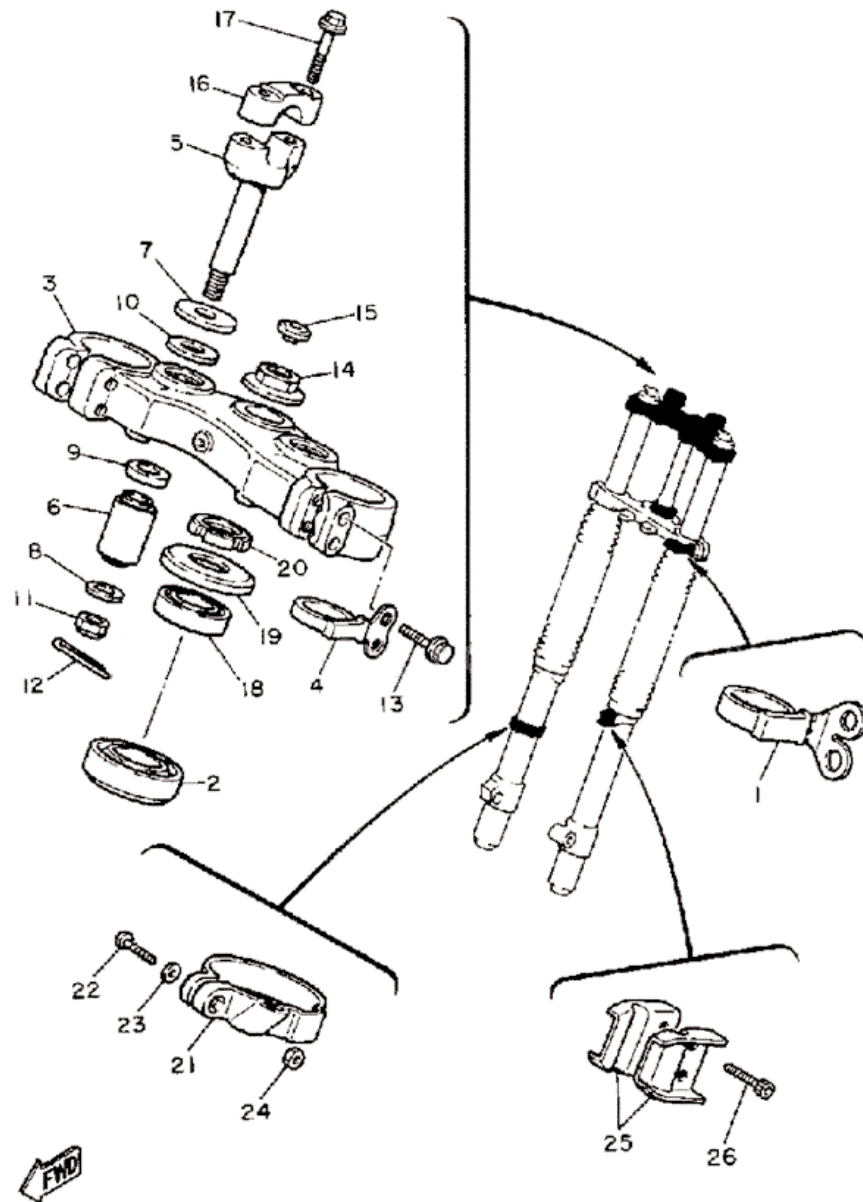
Item	Part #	Description	Req
1	36A-27211-01-90	PEDAL, BRAKE UNI CHROME (BLACK)	1
2	3R8-27242-00-00	PEDAL, BRAKE	1
3	90508-14429-00	SPRING, TORSION	1
4	91701-06028-00	PIN, CLEVIS	1
5	92901-06600-00	WASHER	1
6	91490-20020-00	PIN, COTTER	1
7	90101-06288-00	BOLT	1
8	95380-06600-00	NUT, HEXAGON	1
9	91401-30020-00	PIN, COTTER	1
10	90201-14411-00	WASHER, PLATE	1
11	34K-27231-00-00	ROD, BRAKE	1
12	90240-06103-00	PIN, CLEVIS	1
13	92990-06200-00	WASHER, PLAIN	1
14	91490-20020-00	PIN, COTTER	1
15	90506-18305-00	SPRING, TENSION	1
16	90501-10245-00	SPRING, COMPRESSION	1
17	1W2-27239-00-00	SEAT, SPRING	1
18	90179-06411-00	NUT	1
19	23X-27411-02-00	FOOTREST 1	1
20	34K-27412-00-R4	BRACKET, FOOTREST 1	1
21	90508-20483-00	UNAVAILABLE IN PRICE BOOK	1
22	90240-10101-00	PIN, CLEVIS	1
23	91401-25020-00	PIN, COTTER	1
24	34K-27412-00-00	UNAVAILABLE IN PRICE BOOK	1
25	34K-27422-00-R4	BRACKET, FOOTREST 2	1
26	90508-20583-00	SPRING, TORSION	1
27	90240-10101-00	PIN, CLEVIS	1
28	91401-25020-00	PIN, COTTER	1
29	95811-10025-00	BOLT, FLANGE	4
30	26A-27311-02-33	STAND, SIDE YAMAHA BLK	1
31	90102-10051-00	BOLT, WITH HOLE	1
32	95303-10900-00	NUT, SLOTTED	1
33	91490-20025-00	PIN, COTTER	1
34	90507-29008-00	SPRING, TENSION	1

STARTER



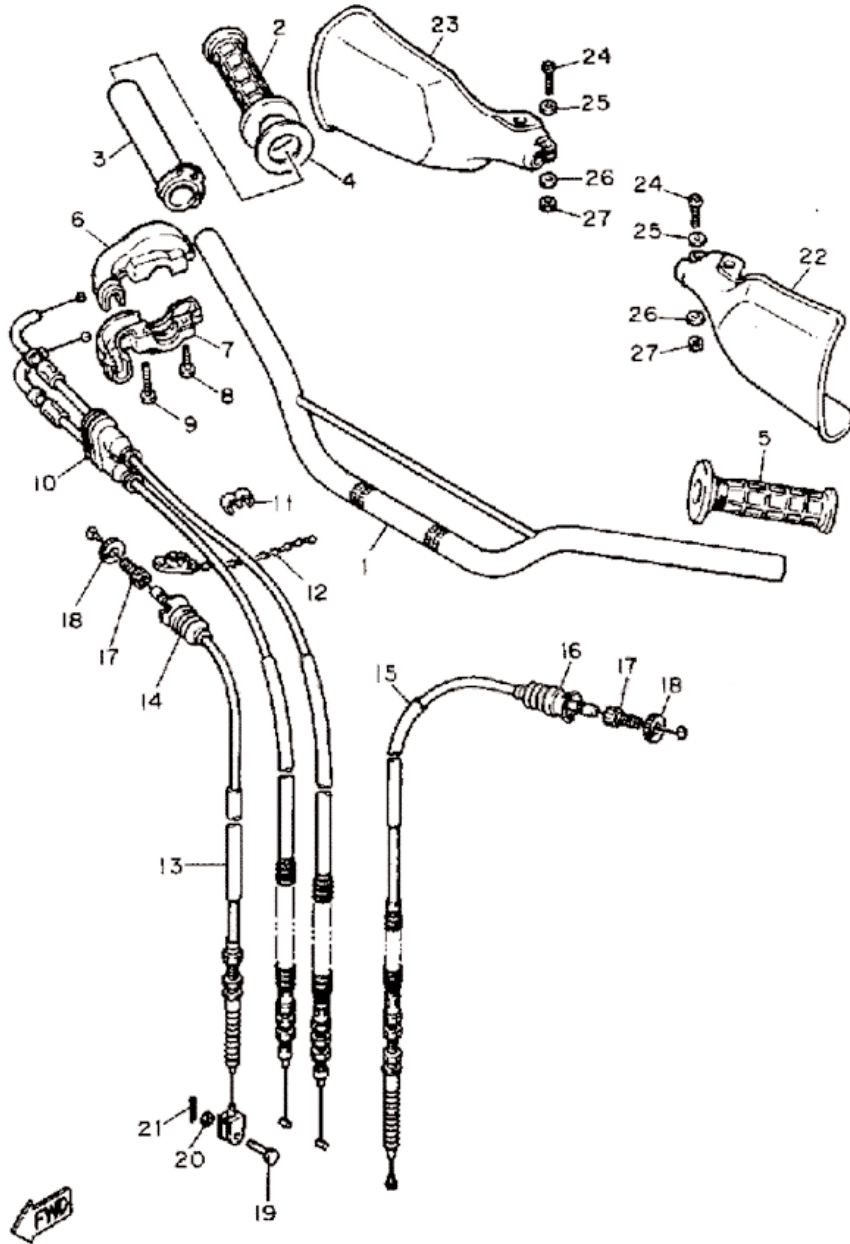
Item	Part #	Description	Req
1	34K-15660-00-00	KICK AXLE ASSEMBLY	1
2	34K-15641-00-00	GEAR, KICK	1
3	90201-20685-00	WASHER, PLATE (0.5T)	1
4	93410-20038-00	CIRCLIP	1
5	5Y1-15671-01-00	WHEEL, RATCHET (5Y1-15671-00)	1
6	90501-16107-00	SPRING, COMPRESSION	1
7	90201-155K6-00	WASHER, PLATE	1
8	99009-15400-00	CIRCLIP	1
9	90508-32529-00	SPRING, TORSION	1
10	90201-15701-00	WASHER, PLATE (1.0T)	1
11	2NX-15668-00-00	STOPPER	1
12	2NX-15674-00-00	GUIDE, RATCHET WHEEL	1
13	214-15686-00-00	WASHER, LOCK	1
14	97011-06016-00	BOLT	2
15	248-15668-00-00	STOPPER	1
16	93102-20108-00	OIL SEAL	1
17	5Y1-15651-01-00	GEAR, KICK IDLE	1
18	90201-20276-00	WASHER, PLATE (T=1.0)	2
19	99009-20400-00	CIRCLIP	2
20	34K-15620-00-00	KICK CRANK ASSEMBLY	1
21	34K-15621-03-00	BOSS, KICK CRANK	1
22	93501-04011-00	BALL	1
23	90501-13720-00	SPRING, COMPRESSION	1
24	93210-16314-00	O-RING	1
25	90157-06048-00	SCREW, PAN HEAD (90152-06010)	1
26	90338-18064-00	PLUG, SPEC"L SHAPE	1
27	34K-15626-00-00	STOPPER	1
28	90179-12244-00	NUT, SPECL SHAPE	1
29	3Y1-1561A-02-00	LEVER DCOMP ASSEMBLY	1
30	93102-10207-00	OIL SEAL (SD 10-21-5 HS)	1
31	90201-105J4-00	WASHER, PLATE	1
32	99009-10400-00	CIRCLIP	1
33	90508-14524-00	SPRING, TORSION	1
34	5Y1-1561G-00-00	LEVER, CABLE	1
35	92901-06600-00	WASHER	1
36	95311-06700-00	NUT	1

STEERING



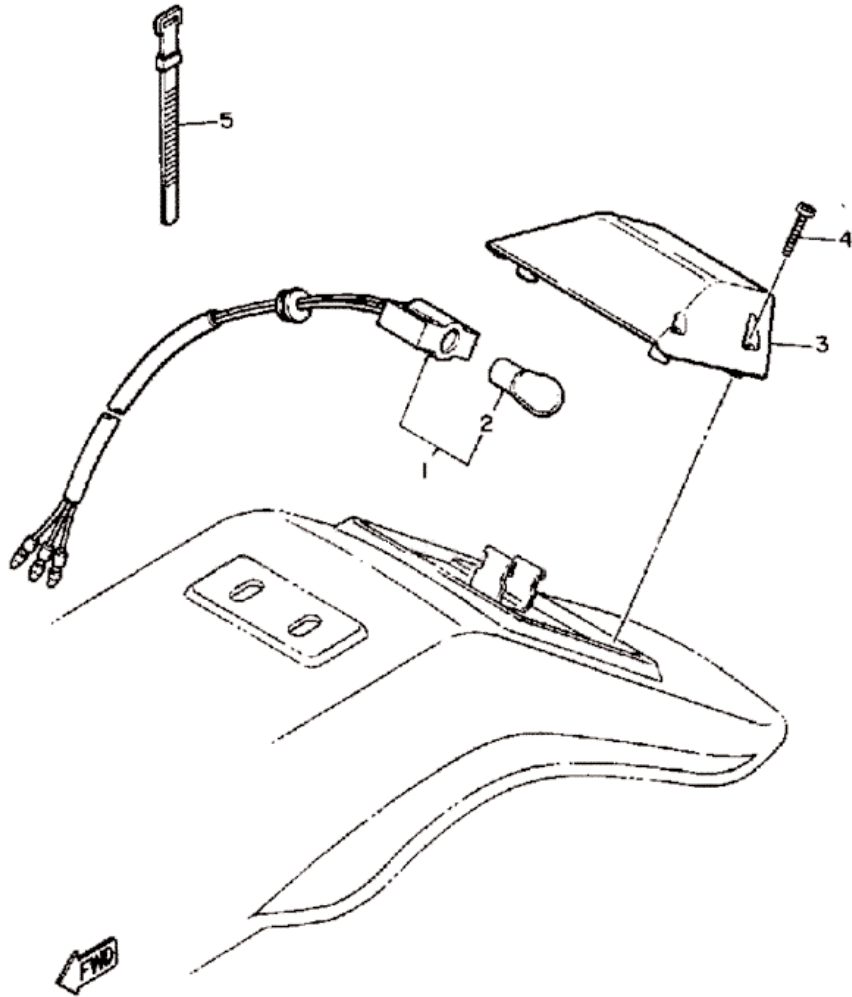
Item	Part #	Description	Req
1	34K-23389-00-00	GUIDE, CABLE	1
2	93332-00008-00	BEARING	1
3	23X-W2341-00-00	CROWN, HANDLE LW GLOSS BK	1
4	3R4-23317-00-00	HOLDER, CABLE	1
5	1E6-23442-00-00	HOLDER, HANDLE LWR	2
6	307-22123-00-00	BUSH 1	2
7	90201-123E8-00	WASHER, PLATE	2
8	90201-100A1-00	WASHER, PLATE	2
9	90387-121E8-00	COLLAR	2
10	90202-14077-00	WASHER, PLATE	2
11	90185-10037-00	NUT, SELF-LOCKING	2
12	91490-20020-00	PIN, COTTER	2
13	90105-08091-00	BOLT, WASHER BASED	4
14	90179-22330-00	NUT, SPECL SHAPE	1
15	34K-2319U-00-00	CAP	1
16	1E6-23441-00-00	HOLDER, HANDLE UPPER	2
17	95811-08035-00	BOLT, FLANGE	4
18	93332-00001-00	BEARING	1
19	3HE-23416-00-00	BOLT, STUD	1
20	90179-25033-00	NUT	1
21	26A-23318-00-00	HOLDER, CABLE 1	1
22	98501-05018-00	SCREW, PAN HEAD	1
23	92901-05600-00	WASHER, PLATE	1
24	95380-05600-00	NUT	1
25	90465-16258-00	CLAMP	2
26	91316-06012-00	BOLT	2

STEERING HANDLE CABLE



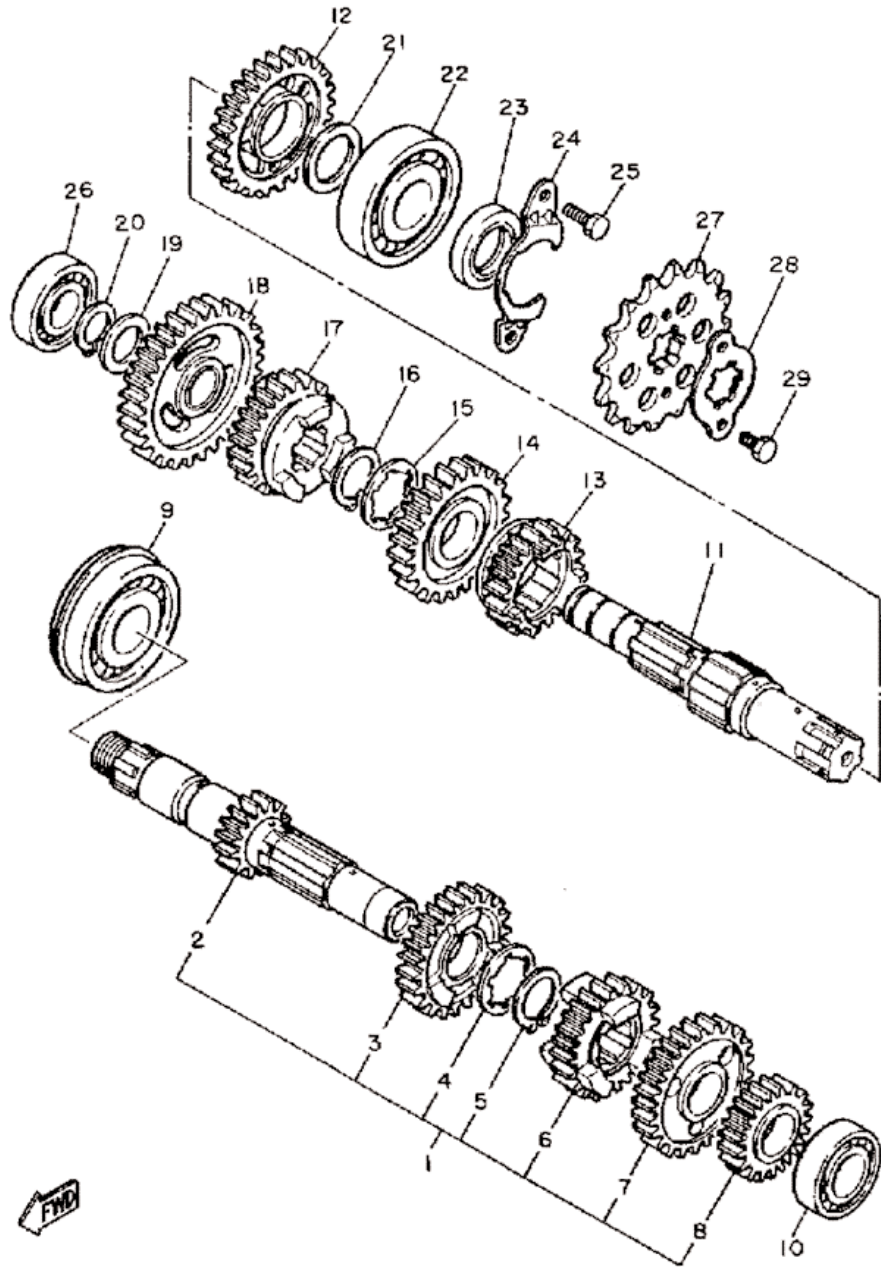
Item	Part #	Description	Req
1	34K-26111-00-00	HANDLEBAR	1
2	1LX-26242-01-00	GRIP (RIGHT)	1
3	3Y1-26243-01-00	TUBE, THROTTLE GUIDE	1
4	3Y1-26249-00-00	.RING, LEAF	1
5	4V4-26241-01-00	GRIP LH (4V4-26341-00) (L.H.)	1
6	34K-26281-00-00	CAP, GRIP UPPER	1
7	1VJ-26282-00-00	CAP, GRIP LOWER	1
8	98506-05020-00	SCREW, PAN HEAD	1
9	98506-05025-00	SCREW, PAN HEAD	1
10	34K-26302-00-00	THROTTLE CABLE ASSEMBLY	1
11	90468-15009-00	CLIP	1
12	90464-20031-00	CLAMP	1
13	34K-26341-00-00	CABLE, BRAKE	1
14	1E6-26342-00-00	BOOT, CABLE	1
15	55U-26335-01-00	CABLE, CLUTCH	1
16	1E6-26342-00-00	BOOT, CABLE	1
17	90123-08090-00	BOLT	2
18	90179-08401-00	NUT	2
19	91701-06018-00	PIN, CLEVIS	1
20	92990-06200-00	WASHER, PLAIN	1
21	91490-20020-00	PIN, COTTER	1
22	3Y0-26141-00-00	GUARD, BRUSH 1 WHITE	1
23	3Y0-26142-00-00	GUARD, BRUSH 2 WHITE	1
24	98503-06014-00	SCREW, PAN HEAD	2
25	92901-06600-00	WASHER	2
26	92990-06200-00	WASHER, PLAIN	2
27	95380-06700-00	NUT	2

TAILLIGHT



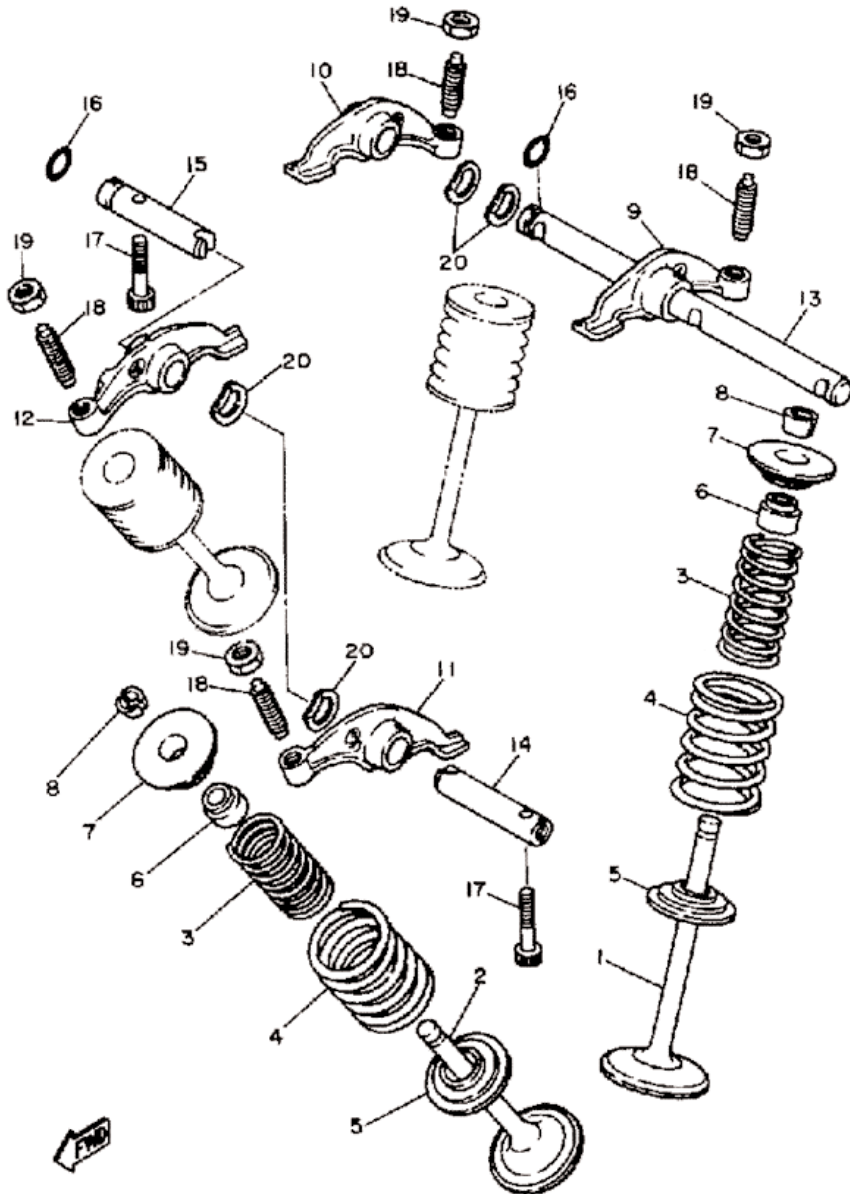
Item	Part #	Description	Req
1	4V5-84536-00-00	SOCKET CORD ASSEMBLY	1
2	122-84514-30-00	BULB	1
3	26A-84521-00-00	LENS, TAILLIGHT	1
4	98511-04020-00	.SCREW, PAN HEAD	4
5	437-83936-01-00	BAND, SWITCH CORD	2

TRANSMISSION



Item	Part #	Description	Req
1	34K-17410-00-00	MAIN AXLE	1
2	5Y1-17411-00-00	AXLE, MAIN	1
3	34K-17141-00-00	GEAR, 4TH PINION (22T)	1
4	90209-22191-00	WASHER	1
5	93440-25084-00	CIRCLIP	1
6	5Y1-17131-00-00	GEAR, 3RD PINION (20T)	1
7	5Y1-17151-01-00	GEAR, 5TH PINION	1
8	34K-17121-01-00	GEAR, 2ND PINION (17T)	1
9	93306-30540-00	BEARING (6305NRX1C3)	1
10	93306-00431-00	BEARING	1
11	34K-17402-01-00	DRIVE AXLE ASSEMBLY	1
12	5Y1-17221-01-00	GEAR, 2ND WHEEL	1
13	5Y1-17251-00-00	GEAR, 5TH WHEEL	1
14	34K-17231-00-00	GEAR, 3RD WHEEL (24T) (L/LC)	1
15	90209-22191-00	WASHER	1
16	93440-25084-00	CIRCLIP	1
17	55U-17241-00-00	GEAR, 4TH WHEEL	1
18	34K-17211-00-00	GEAR, 1ST WHEEL	1
19	90201-20276-00	WASHER, PLATE (T=1.0)	1
20	99009-20400-00	CIRCLIP	1
21	90201-253K0-00	WASHER, PLATE (T=1.0)	1
22	93306-30535-00	BEARING	1
23	93102-25226-00	OIL SEAL	1
24	5Y1-17471-00-00	PLATE, COVER	1
25	97011-06016-00	BOLT	2
26	93306-00426-00	BEARING	1
27	93834-14052-00	SPROCKET, DRIVE	1
28	3Y1-17456-00-00	HOLDER, SPROCKET	1
29	97011-06010-00	BOLT (97002-06010)	2

VALVE



Item	Part #	Description	Req
1	5Y1-12111-00-00	VALVE, INTAKE	2
2	34K-12121-00-00	VALVE, EXHAUST	2
3	5Y1-12113-00-00	SPRING, VALVE INNER	4
4	5Y1-12114-00-00	SPRING, VALVE OUTER	4
5	4H7-12116-00-00	SEAT, VALVE SPRING	4
6	1J7-12119-01-00	SEAL, VALVE STEM	4
7	2F3-12117-00-00	RETAINER, VALVE SPRING	4
8	1J7-12118-00-00	COTTER, VALVE	8
9	34K-12151-00-00	ARM, VALVE ROCKER	1
10	34K-12161-00-00	ARM, VALVE ROCKER 2	1
11	34K-12162-00-00	ARM, VALVE ROCKER 3	1
12	34K-12163-00-00	ARM, VALVE ROCKER 4	1
13	2NX-12146-00-00	SHAFT, ROCKER	1
14	5Y1-12156-00-00	SHAFT, ROCKER	1
15	5Y1-12166-00-00	SHAFT, ROCKER 3	1
16	93210-08521-00	O-RING	2
17	90110-06138-00	BOLT, HEXAGON SOCKET HEAD	2
18	3Y1-12159-00-00	SCREW, VALVE ADJUSTING	4
19	90170-06128-00	NUT	4
20	90206-12074-00	WASHER, WAVE	4