

CONTENTS

GENERAL SPEC.

ENGINE

Cylinder Head	B2 ~ B3
Cylinder	B4
Crankshaft - Piston	B5 ~ B6
Valve	B7
Camshaft - Chain	B8
Oil Pump	B9 ~ B10
Intake	B11 ~ B12
Carburetor	B13 ~ B14
Exhaust	B15
Crankcase	C2
Crankcase Cover 1	C3 ~ C4
Starter Clutch	C5
Clutch	C6 ~ C7
Transmission	C8 ~ C9
Shift Cam - Fork	C10
Shift Shaft	C11

CHASSIS

Frame	C12 ~ C13
Fender	C14
Side Cover	C15 ~ D2
Rear Arm	D3 ~ D5
Rear Suspension	D6
Steering	D7 ~ D8
Front Fork	D9 ~ D10
Fuel Tank	D11 ~ D12
Seat - Carrier	D13

Front Wheel	D14 ~ D15
Rear Wheel	E2 ~ E3
Rear Brake Calliper	E4
Steering Handle - Cable	E5 ~ E6
Front Master Cylinder	E7
Stand - Footrest	E8 ~ E9
Rear Master Cylinder	E10 ~ E11
Cowling 1	E12
Generator	E13
Flasher Light	E14
Meter	E15
Headlight	F2
Taillight	F3
Handle Switch - Lever	F4
Electrical 1	F5
Electrical 2	F6

INDIVIDUAL SPEC.

FOR ENGLAND

Alternate (Electrical)	F8
Alternate (Meter)	F9

FOR BELGIUM

Alternate (Electrical)	F11
------------------------	-----

FOR SWEDEN

Alternate (Engine)	F13
Alternate	F14 ~ F15

FOR ITALY	
Alternate (Electrical)	G3

FOR DENMARK

Electrical	G5 ~ G6
------------	---------

FOR FINLAND

Electrical	G8
------------	----

FOR NORWAY

Electrical (Chassis)	G10 ~ G11
Alternate (Electrical)	G12

FOR HOLLAND

Alternate (Head Light)	G14
------------------------	-----

FOR SWITZERLAND

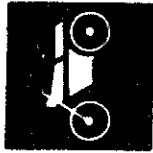
Alternate (Carburetor)	H2 ~ H3
Alternate (Engine)	H4
Alternate (Chassis)	H5
Alternate (Chassis, Electrical)	H6

INDEX (GENERAL SPEC.)

NUMERICAL INDEX	L2 ~ L5
-----------------	---------

INDEX (INDIVIDUAL SPEC.)

NUMERICAL INDEX	M2
-----------------	----



YAMAHA

PARTS CATALOGUE

XT600Z'88 (3AJ1, 3AJ3)

EUROPE

XT600Z'88 (3DS1)

SWITZERLAND

XT600Z'88

A2

This Parts Catalogue is
3DS1).

When you are ordering
this Parts Catalogue at

1 Modifications or a
be announced in
It is advisable the
tions to the Parts

2 Abbreviations

The following abbreviations

U R	Ue
U N	Ue
A P	Alt
L M	Loc
F#	Fra

3 The parts marked
supplied with by

4 Parts, which are t
of one letter's app

EXAMPLE

5 Indication of No.
The numeral app
indicates the que

EXAMPLE

Part No.

2F5-83310-80

115-83311-80

1M1-83308-80



A3

FIG. 1 CYLINDER HEAD

FOREWORD

The Parts Catalogue is related to the parts in use for the Yamaha XT500Z88 (3AJ1, 3AJ3, 3DS1).

When you are ordering replacement parts for the XT500Z88 (3AJ1, 3AJ3, 3DS1), refer to this Parts Catalogue and quote both part numbers and part names correctly.

1. Modifications or additions which have been made after issue of the Parts Catalogue will be announced in the Yamaha Parts News. It is advisable that according to the Yamaha Parts News you make necessary corrections to the Parts Catalogue on hand to keep it up-to-date.

2. Abbreviations

The following abbreviations are used in this Parts Catalogue.

- U.R. Use size (thickness) and/or number as required.
- U.N. Use as many as you need.
- A.P. Alternate Parts
- L.M. Local Made
- F# Frame No. (Applicable machine No.)

3. The parts marked with (*) in the parts number column of this Catalogue are not supplied with by Yamaha, those have to be found locally.

4. Parts, which are to be supplied in the form of assemblies, are listed with an indentation of one letter's space, and a dot (.) is put against the name of each part.

EXAMPLE
 CARBURETOR ASSY
 -JET, pilot
 -NOZZLE, main

5. Indication of No. of constituent parts for assembly

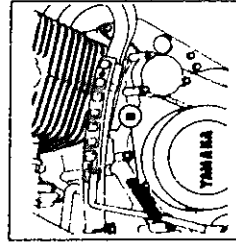
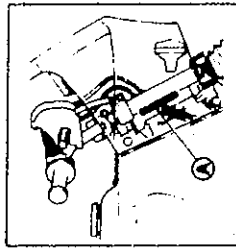
The numeral appearing to the right of each constituent part under the description indicates the quantity of such parts for each individual assembly unit.

EXAMPLE

Part No.	Description	Qty	Remarks
2F5-83310-80	FRONT FLASHER LIGHT ASSY	2	
115-83311-80	-BULB (5V-18W)	1	
1M1-83308-80	-REFLECTOR	1	

6. Initial Serial No. and Color Code

3AJ1	(A) Frame Serial No. 3AJ-000101 and following
	(B) Engine Serial No. 2AJ-000101 and following
3AJ3	(A) Frame Serial No. 3AJ-033101 and following
	(B) Engine Serial No. 3AJ-033101 and following
3DS1	(A) Frame Serial No. 3DS-000101 and following
	(B) Engine Serial No. 3DS-000101 and following



Color Code	Color Name	Abbreviate
36	WHITE	W
NJ	FARAWAY BLUE	FV/B

7. Applicable colors of graphics are represented in the "Remarks" column by the letter(s) appropriately picked out of the full word(s) showing such colors.

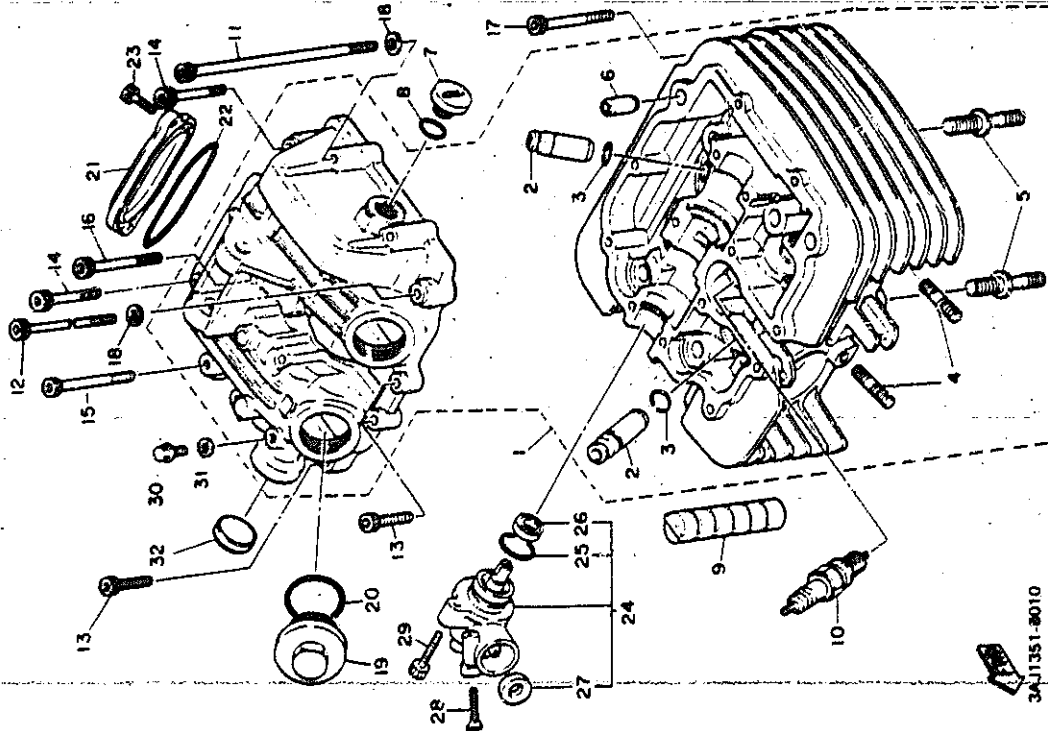
EXAMPLE

Part No.	Description	Qty	Remarks
2M4-24110-00-X6	FUEL TANK COMP.	1	MAXIM RED
3J1-24240-10	-GRAPHIC, fuel tank set	1	for MXR

A4

FIG. 1 CYLINDER HEAD

REF. NO.	PART NO.	DESCRIPTION	QTY	REMARKS
1	2KF-11101-00	CYLINDER HEAD ASSY	1	
2	4H7-11133-10	.GUIDE, intake valve	4	
3	83440-12082	.CIRCLIP	4	
4	80118-08475	.BOLT, stud	4	
5	80118-10378	.BOLT, stud	2	
6	98610-10114	.PIN, dowel	2	
7	90340-14078	PLUG, straight screw	1	
8	83210-14348	O-RING	1	
9	583-11127-00	ABSORBER 3	2	
10	94701-00282	PLUG, spark (NGK DPR7EA 9)	1	
11	91316-08126	BOLT	2	
12	91316-08115	BOLT	1	
13	91316-08025	BOLT	4	
14	91316-08040	BOLT	2	
15	91316-08065	BOLT	6	
16	90109-083E9	BOLT	1	
17	91316-08050	BOLT	1	
18	92905-08600	WASHER, plate	3	
19	1L9-11185-00	COVER, cylinder head side 2	2	
20	83210-32172	O-RING	2	
21	5Y1-11187-00	COVER, cylinder head side 3	1	
22	83210-62448	O-RING	1	
23	91316-08018	BOLT	2	
24	5Y1-17800-01	GEAR UNIT ASSY, tach. drive	1	
25	83210-19622	O-RING	1	
26	93102-11262	.OIL SEAL	1	
27	93102-07261	.OIL SEAL	1	
28	82708-08030	SCREW, flat head	1	



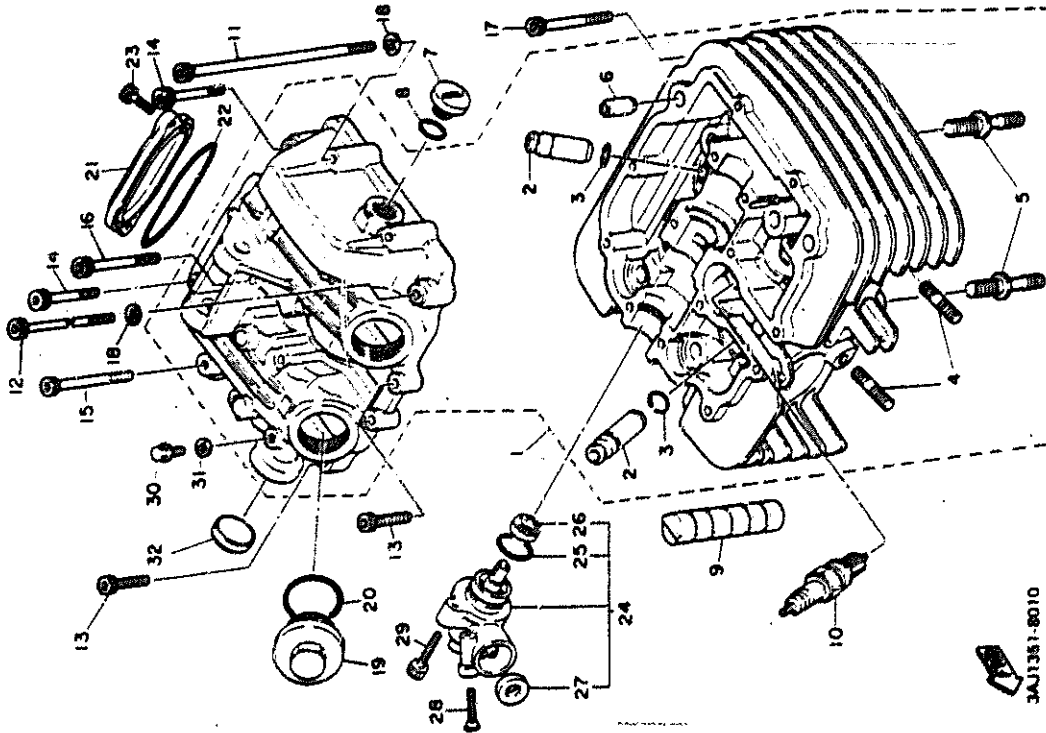
3AJ1351-8010

3AJ1361-8010

B2

FIG. 1 CYLINDER HEAD

REF. NO.	PART NO.	DESCRIPTION	QTY	REMARKS
29	91316-06025	BOLT	1	
30	90108-06418	BOLT	1	
31	90430-06014	GASKET	1	
32	90338-22207	PLUG	1	



3AJ1351-8010

B3

FIG. 11 CRANKCASE COVER 1

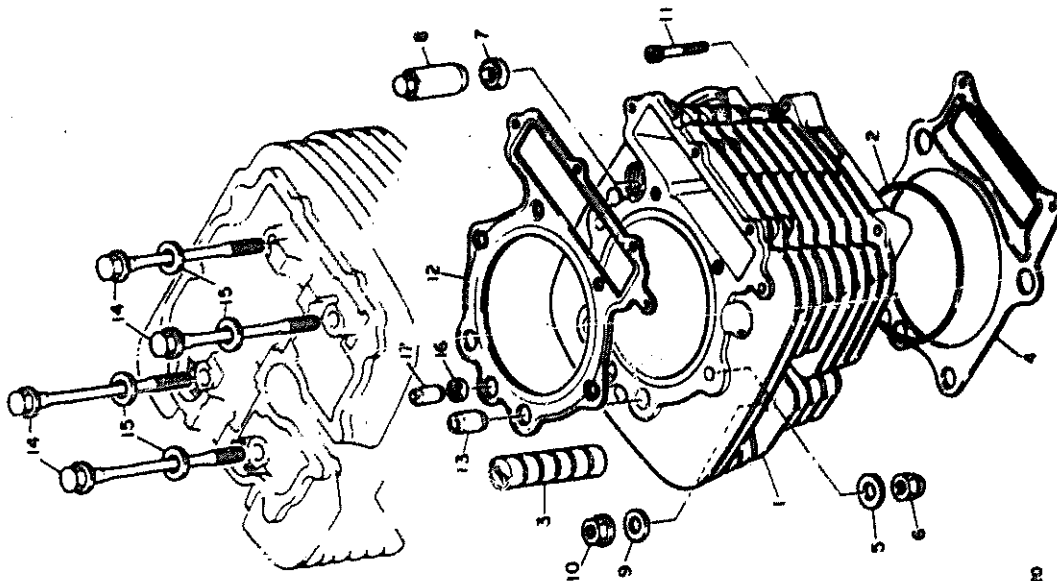
277260-9020

5- 6

10 9

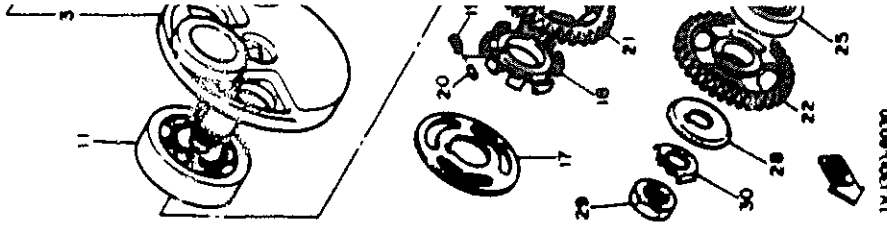
FIG. 2 CYLINDER

REF. NO.	PART NO.	DESCRIPTION	QTY	REMARKS
1	3AJ-11310-00	CYLINDER	1	
2	53210-87624	O-RING	1	
3	583-11127-00	ABSORBER 3	2	
4	1VJ-11361-00	GASKET, cylinder	1	
5	90201-080L8	WASHER, plate	2	
6	90178-08026	NUT, crown	2	
7	90201-10660	WASHER, plate	2	
8	90179-10201	NUT	2	
9	90201-10124	WASHER, plate	2	
10	90178-10278	NUT	2	
11	91316-08036	BOLT	2	
12	2KF-11181-01	GASKET, cylinder head 1	1	
13	91810-06016	PIN, dowel	2	
14	90106-08666	BOLT, weather band	4	
15	90201-08EL3	WASHER, plate	4	
16	90430-08178	GASKET	1	
17	98610-08016	PIN, dowel	1	



2TY280-9030

B4

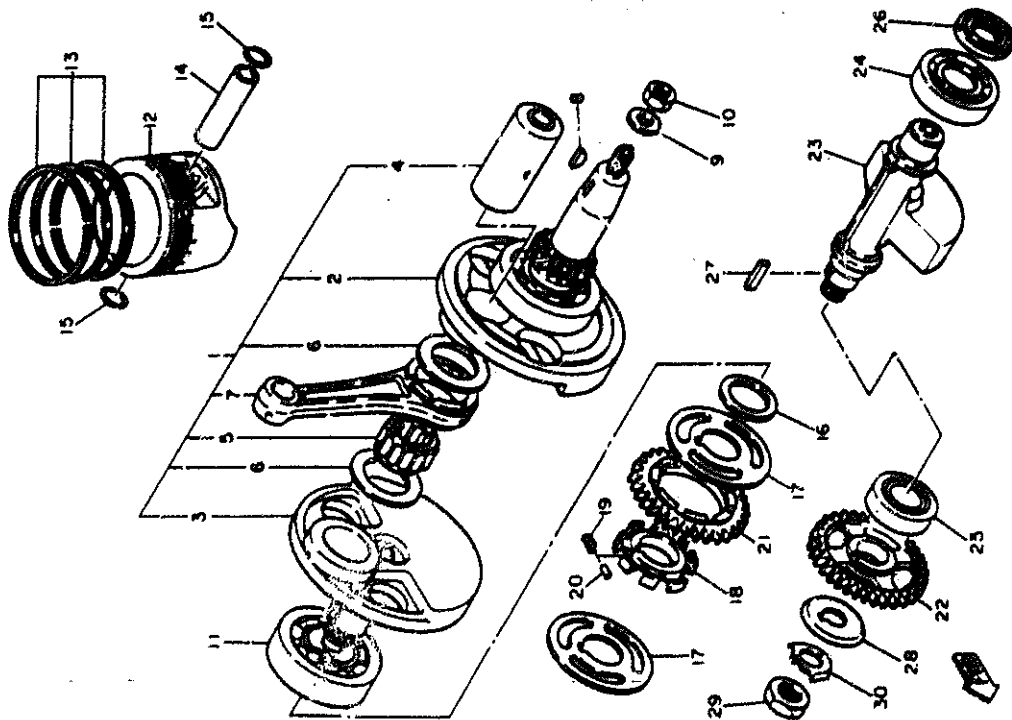


1VJ300-9030

FIG. 11 CRANKCASE COVER 1

FIG. 3 CRANKSHAFT, PISTON

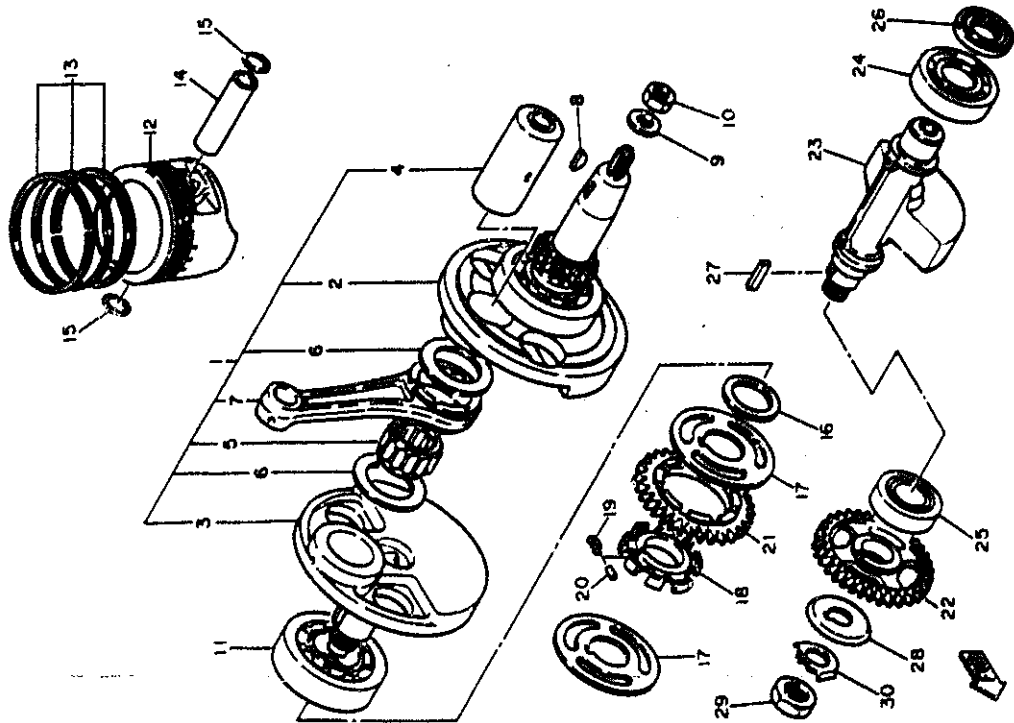
REF. NO.	PART NO.	DESCRIPTION	QTY	REMARKS
1	1VJ-11400-01	CRANKSHAFT ASSY	1	
2	1VJ-W1141-00	.CRANK 1	1	
3	1VJ-11432-00	.CRANK 2	1	
4	1VJ-11681-00	.PIN, crank 1	1	
5	90310-83885	.BEARING, cylindrical	1	
6	90301-366K1	.WASHER, plate	2	
7	1VJ-11681-00	.ROD, connecting	1	
8	90280-06013	KEY, woodruff	1	
9	90201-140A8	WASHER, plate	1	
10	90179-14317	NUT	1	
11	90300-30710	BEARING (8307SH2-9TC4)	1	AP
12	34L-11831-02-Y0	PISTON (STD)	1	AP
	34L-11836-02	PISTON (0.80MM O/S)	1	AP
	34L-11838-02	PISTON (1.00MM O/S)	1	AP
13	34L-11610-00	PISTON RING SET (STD)	1	AP
	34L-11610-20	PISTON RING SET (2ND O/S)	1	AP
	34L-11610-40	PISTON RING SET (4TH O/S)	1	AP
14	1JK-11633-01	PIN, piston	1	
15	93460-24028	CIRCLIP	2	
16	90201-301F4	WASHER, plate	1	
17	34K-11666-02	WASHER, bearing cover	2	
18	5Y1-11486-01	BOSS, buffer	1	
19	90501-227Z1	SPRING, compression	8	
20	90906-10096	PIN, dowel	4	
21	2JT-11636-00	GEAR, drive	1	
22	5Y1-11631-00	GEAR, balance wt 44g	1	
23	34K-11464-00	WEIGHT 1	1	
24	90308-30625	BEARING (86306)	1	



B6

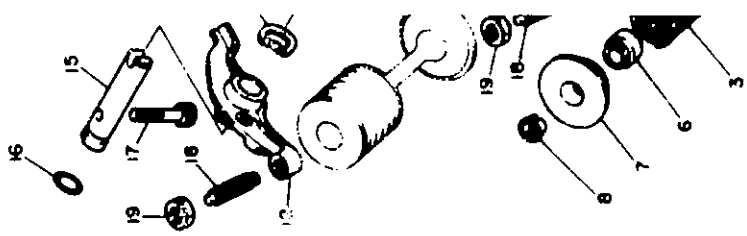
FIG. 3 CRANKSHAFT, PISTON

REF. NO.	PART NO.	DESCRIPTION	QTY	REMARKS
25	83306-30841	BEARING	1	
26	83101-25108	OIL SEAL	1	
27	90282-06013	KEY, straight	1	
28	34K-11145-00	PLATE, breather 2	1	
29	90170-16343	NUT	1	
30	90318-18242	WASHER, lock	1	



1VJ300-6030

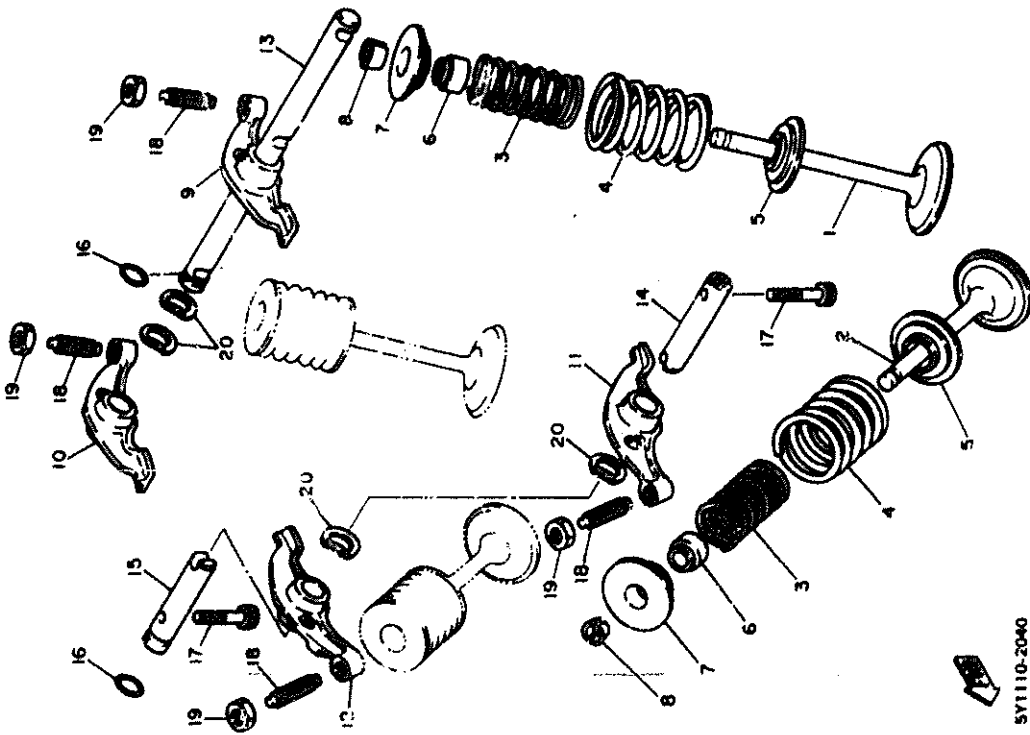
Bc



5Y115C-2040

FIG. 4 VALVE

REF. NO.	PART NO.	DESCRIPTION	Q	REMARKS
1	1VJ-12111-00	VALVE, intake	2	
2	1VJ-12121-00	VALVE, exhaust	2	
3	5Y1-12113-00	SPRING, valve inner	4	
4	5Y1-12114-00	SPRING, valve outer	4	
5	4H7-12118-00	SEAT, valve spring	4	
6	1J7-12119-01	SEAL, valve stem	4	
7	2F3-12117-00	RETAINER, valve spring	4	
8	1J7-12118-00	COTTER, valve	8	
9	34K-12181-00	ARM, valve rocker	1	
10	34K-12181-00	ARM, valve rocker 2	1	
11	34K-12182-00	ARM, valve rocker 3	1	
12	34K-12183-00	ARM, valve rocker 4	1	
13	2NX-12146-00	SHAFT, rocker	1	
14	2NX-12186-00	SHAFT, rocker 2	1	
15	2NX-12186-00	SHAFT, rocker 3	1	
16	93210-08621	O-RING	2	
17	90109-083E8	BOLT	2	
18	2NX-12168-00	SCREW, valve adjusting	4	
19	90170-08128	NUT	4	
20	90208-12075	WASHER, valve	4	



5Y1110-2040

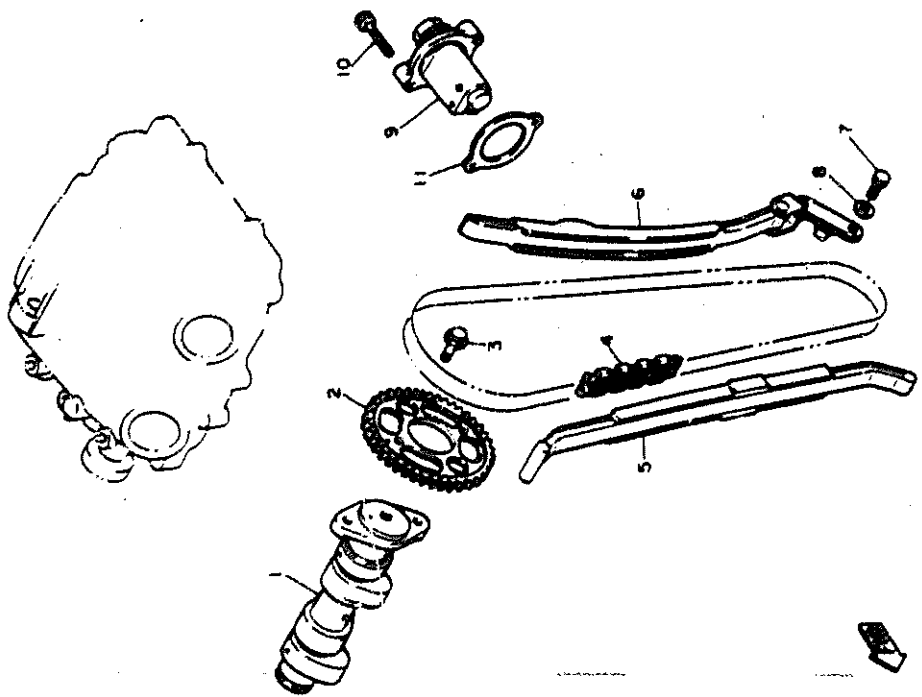
B7

FIG. 13 CLUTCH

3AJ1361-8060

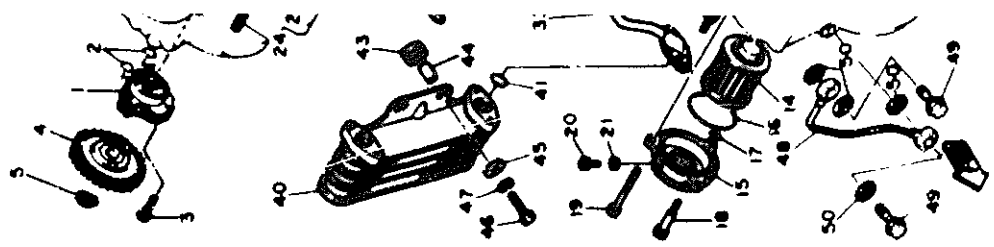
FIG. 5 CAMSHAFT, CHAIN

REF. NO.	PART NO.	DESCRIPTION	QTY	REMARKS
1	1JK-12171-00	CAMSHAFT 1	1	
2	34K-12176-00	SPROCKET, cam chain	1	
3	90106-07087	BOLT, washer based	2	
4	94830-27126	CHAIN	1	
5	34K-12231-00	GUIDE, stopper 1	1	
6	34K-12241-00	GUIDE, stopper 2	1	
7	97021-08018	BOLT	2	
8	92801-08000	WASHER, plate	2	
9	34K-12210-00	TENSIONER ASSY, cam chain	1	
10	91316-08006	BOLT	2	
11	4X7-12213-00	GASKET, tensioner case	1	



34J1351-8080

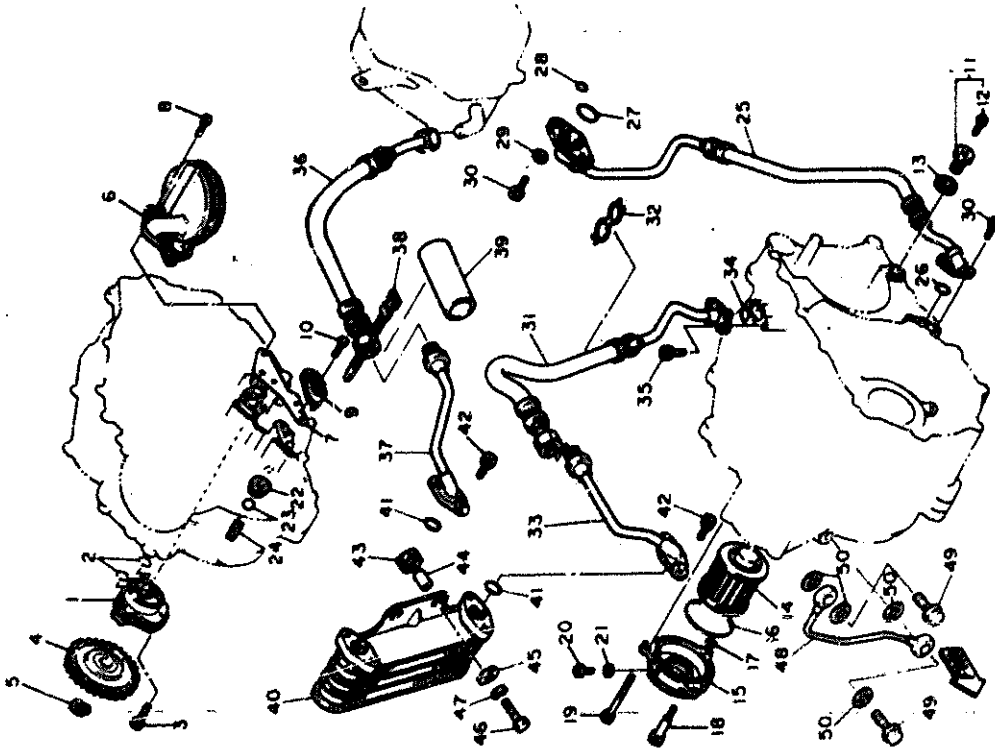
B8



34J1351-8080

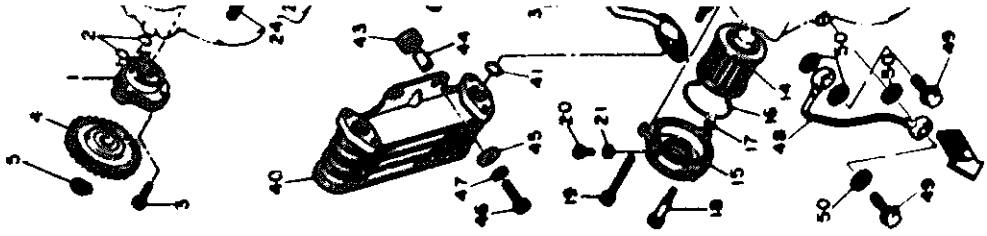
FIG. 6 OIL PUMP

REF. NO.	PART NO.	DESCRIPTION	QTY	REMARKS
1	3AJ-13300-00	OIL PUMP ASSY	1	
2	83210-13361	O-RING	2	
3	91316-06036	BOLT	3	
4	3AJ-13326-00	GEAR, pump driven	1	
5	99008-11400	CIRCLIP	1	
6	6Y1-W1343-00	STRAINER COMP.	1	
7	6Y1-13416-01	SEAL, oil retainer	1	
8	82601-08014	SCREW, pan head	2	
9	6Y1-16427-01	COVER, cap 2	1	
10	82601-08014	SCREW, pan head	1	
11	11H-13486-00	PLUG	1	
12	99001-06008	SCREW, blind	1	
13	214-11198-01	GASKET	1	
14	4X7-13440 90	ELEMENT ASSY, oil cleaner	1	
15	683-13447-01	COVER, oil element	1	
16	83210-84287	O-RING	1	
17	83210-67136	O-RING	1	
18	90108-0A119	BOLT	1	
19	91316-06090	BOLT	2	
20	90149-06110	SCREW	1	
21	90430-06126	GASKET	1	
22	683-13113-00	SEAT, check ball	1	
23	93903-06007	BALL	1	
24	90801-04360	SPRING, compression	1	
25	1VJ-13464-01	HOSE, oil 1	1	
26	83210-10187	O-RING	1	
27	83210-22286	O-RING	1	
28	83210-06060	O-RING	2	



3AJ1351-8080

B9

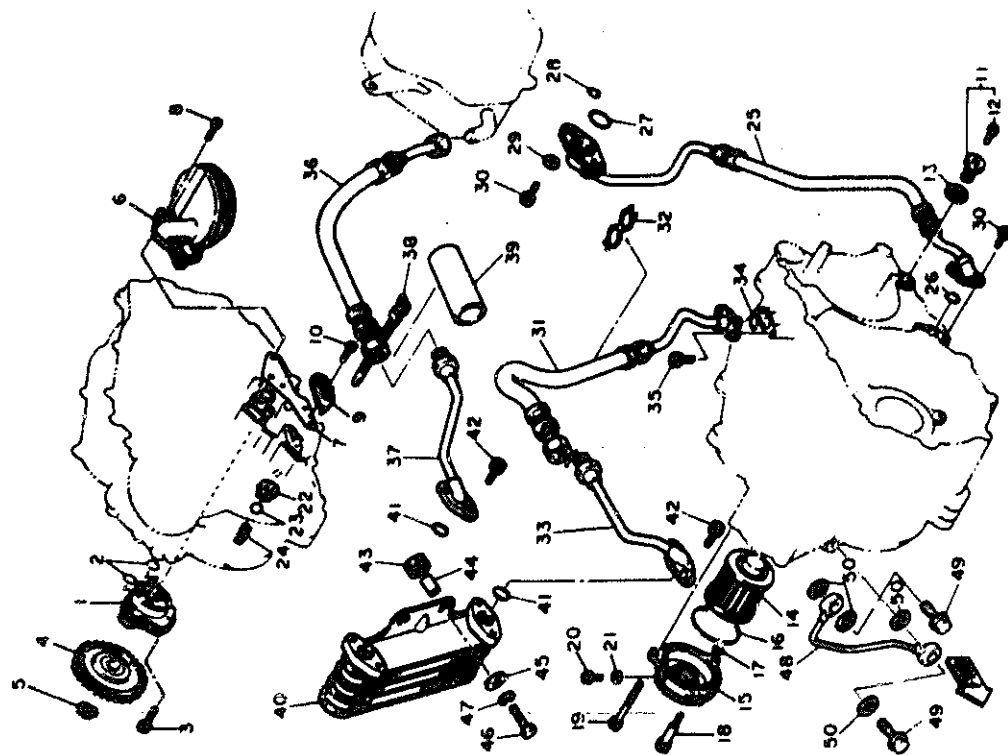


3AJ1351-8080

FIG. 14 TRANSMISSION

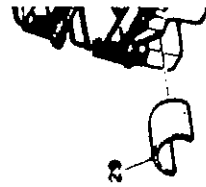
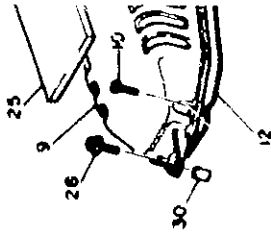
FIG. 6 OIL PUMP

REF. NO.	PART NO.	DESCRIPTION	QTY	REMARKS
28	80430-08106	GASKET	2	
30	91316-08016	BOLT	4	
31	1VJ-13488-01	HOSE, oil 2	1	
32	90464-20064	CLAMP	1	
33	3AJ-13416-00	PIPE, oil 1	1	
34	80210-18171	C-RING	1	
35	91316-08016	BOLT	2	
36	1VJ-13488-03	HOSE, oil cooler	1	
37	3AJ-13418-00	PIPE, oil 2	1	
38	12R-82881-00	BAND	1	
39	1VJ-13488-00	PIPE, oil hose guide	1	
40	1VJ-13470-00	OIL COOLER ASSY	1	
41	80210-14679	O-RING	3	
42	91316-08012	BOLT	4	
43	80480-18238	GROMMET	2	
44	80387-080A7	COLLAR	2	
45	90208-08174	WASHER	2	
46	97016-08030	SOLT	2	
47	80208-08100	WASHER, spring	2	
48	3AJ-13161-00	PIPE, delivery 1	1	
49	80401-08133	BOLT, union	2	
50	80430-08204	GASKET	4	



3AJ1351-8090

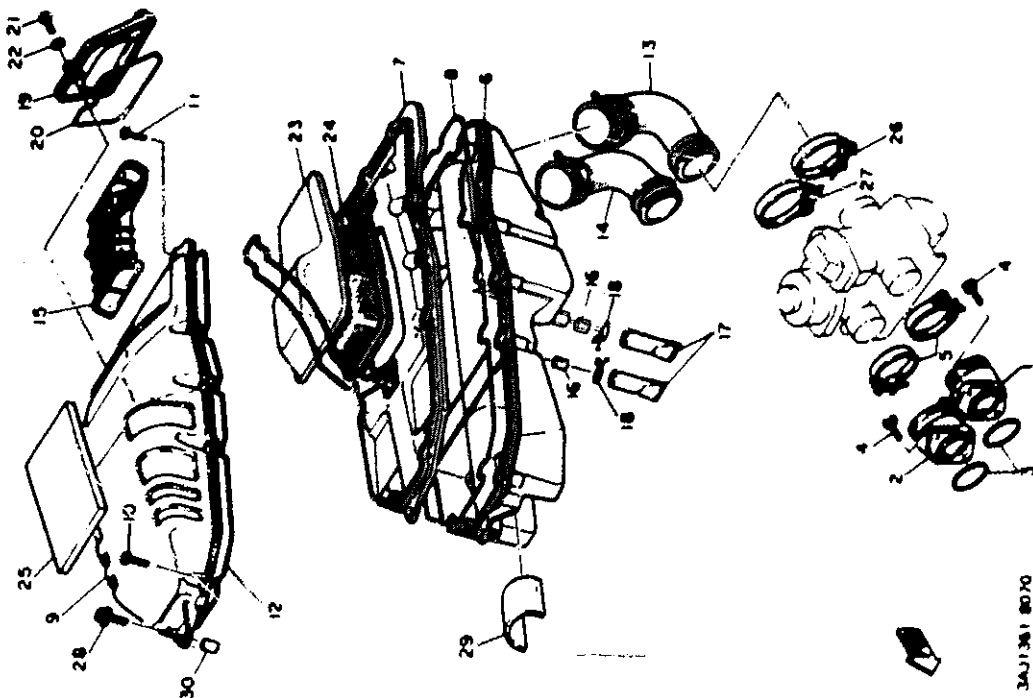
B10



3AJ1351-8090

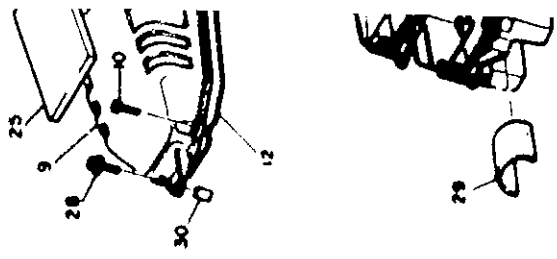
FIG. 7 INTAKE

REF. NO.	PART NO.	DESCRIPTION	QTY	REMARKS
1	43F-12000-01	JOINT, exhauster 1	1	
2	1VJ-13000-00	JOINT, exhauster 2	1	
3	90210-30040	O-RING	2	
4	91310-00020	BOLT	4	
5	90400-00200	CLAMP, hose	2	
6	3AJ-14411-00	CABLE, air cleaner 1	1	
7	3AJ-9T1441-00	AIR CLEANER CABLE COMP	1	
8	1VJ-14402-00	SEAL	1	
9	1VJ-14421-01	CABLE, air cleaner 2	1	
10	97700-00000	SCREW, tapping	6	
11	97700-00020	SCREW, tapping	2	
12	10V-14402-00	SEAL	1	
13	1VJ-14403-00	JOINT, air cleaner 1	1	
14	1VJ-14404-00	JOINT	1	
15	3AJ-14407-00	DUCT	1	
16	8H0-14402-00	SEAL	2	
17	47J-14407-00	SEAL	2	
18	90407-14015	CLIP	2	
19	3AJ-14412-00	CAP, exhaust pipe 1	1	
20	10H-14402-00	SEAL	1	
21	90000-00000	SCREW, pan head	3	
22	90000-00000	WASHER, plate	3	
23	20V-14401-00	ELBOWFIT, air cleaner	1	
24	20V-14400-00	ELBOW	1	
25	1VJ-14420-00	DAMPENER 2	1	
26	90407-01000	CLAMP, hose	1	
27	90400-00015	CLAMP, hose	1	
28	90000-00002	BOLT, flange	1	



3AJ1381 8070

B11

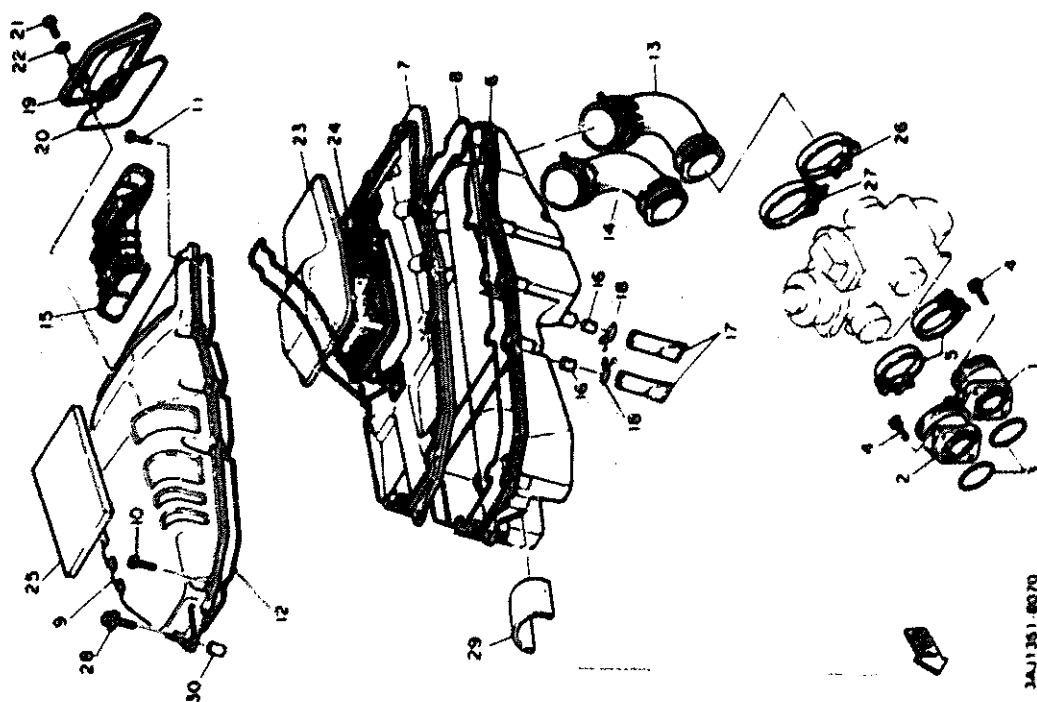


3AJ1381 8070

FIG. 10 EXHAUST SHAFT

FIG. 7 INTAKE

REF. NO.	PART NO.	DESCRIPTION	QTY	REMARKS
28	1VJ-14435-00	DAMPER 1	1	
30	80387-00306	COLLAR	1	



3AJ1351-8070

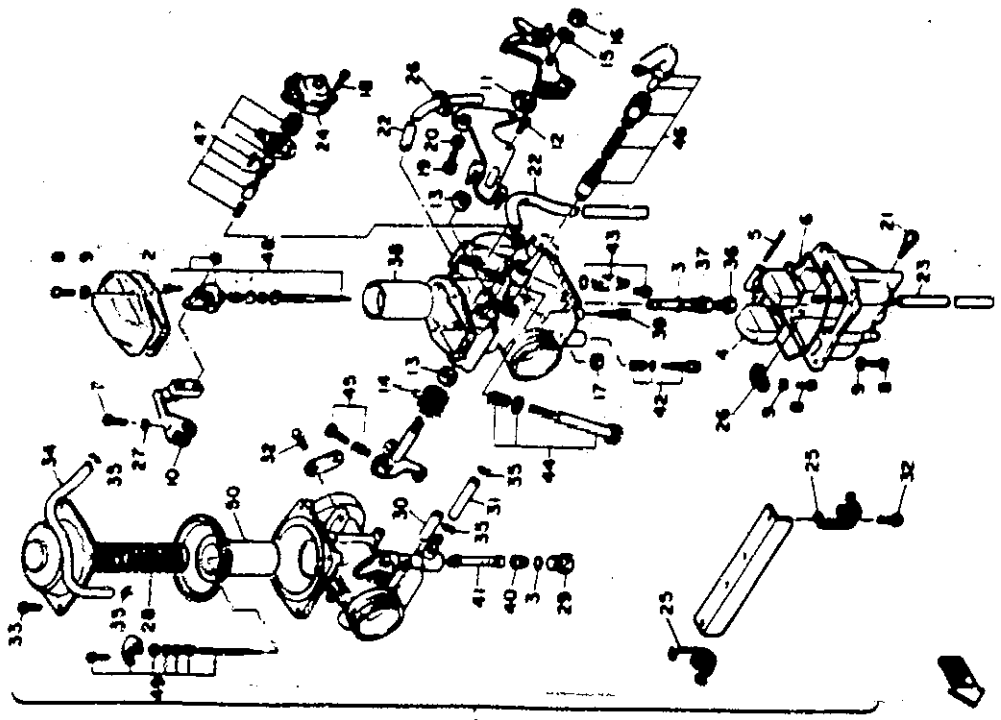
B12



3AJ1351-8080

FIG. 8 CARBURETOR

REF. NO.	PART NO.	DESCRIPTION	QTY	REMARKS
1	AJ-14306-10	CARBURETOR ASSY 1	1	
2	BY1-14186-00	.GASKET	1	
3	300-24612-00	.GASKET	2	
4	2JH-14306-00	.FLOAT	1	
5	008-14306-01	.PIN, float	1	
6	BY1-14304-00	.GASKET, float chamber	1	
7	00000-04016	.SCREW, pin head	1	
8	00000-04014	.SCREW, pin head	6	
9	00000-04100	.WASHER, spring	6	
10	1JK-14301-00	.CONNECTOR COMP	1	
11	1JK-14307-00	.COLLAR	1	
12	BY1-14326-00	.SCREW, pin head	2	
13	BY1-14672-00	.SEAL	2	
14	1JK-14131-00	.SPRING, throttle valve	1	
15	BY1-14304-00	.WASHER, spring	1	
16	BY1-14306-00	.NUT	1	
17	BY1-14030-00	.GASKET	1	
18	00000-04016	.SCREW, pin head	1	
19	00000-04030	.SCREW, pin head	2	
20	30K-14300-00	.NUT	1	
21	BY1-14116-00	.PLUG, screw	1	
22	1VJ-14197-00	.PIPE	2	
23	1JK-14197-00	.PIPE	1	
24	2JH-14306-00	.COVER 1	1	
25	1VJ-14376-00	.CLAMP, hose	2	
26	42U-14148-00	.PLATE	2	
27	00000-04100	.WASHER, spring	1	
28	1JK-14306-00	.SPRING	1	



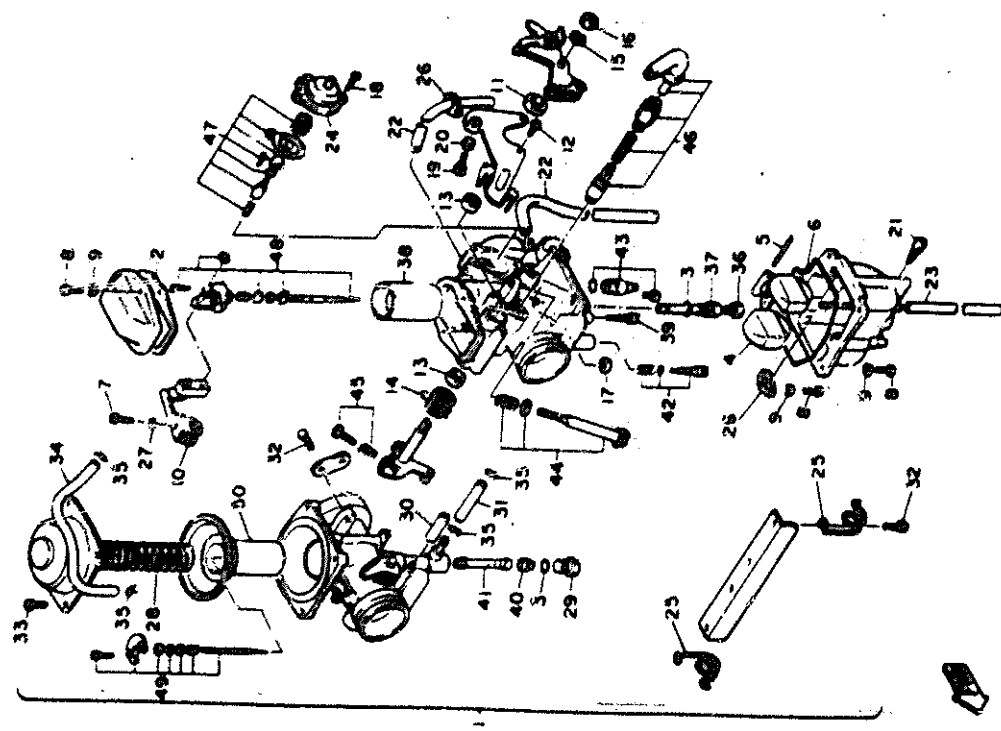
B12

3AU1361-0000

3AU1361-0000

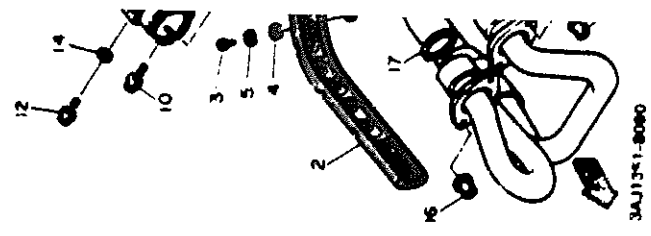
FIG. 8 CARBURETOR

REF. NO.	PART NO.	DESCRIPTION	QTY	REMARKS
28	30X-14394-00	.VALVE, drain	1	
30	5Y1-14346-00	.PIPE	1	
31	30X-14148-00	.PIPE	1	
32	885J1-06010	.SCREW, pan head	6	
33	885B0-04010	.SCREW, pan head	4	
34	5Y1-14149-00	.PIPE	1	
36	5Y1-14159-00	.CLIP	4	
38	288-14343-78	.JET, main (#168)	1	UR STD
38	288-14343-76	.JET, main (#160)	1	UR
38	288-14343-80	.JET, main (#160)	1	UR
37	5Y3-14341-00	.NOZZLE, main	1	
38	1XL-14312-86	.VALVE, throttle 1	1	
38	43F-14342-24	.JET, pilot (#48)	1	
40	Y-14343-63	.JET, main (#125)	1	
41	1JK-1386-00	.NOZZLE, main 2	1	
42	ROM-14106-00	.PILOT SCREW SET	1	
43	2JN-14107-00	.NEEDLE VALVE SET	1	
44	28X-1481K-00	.STOP SCREW SET	1	
45	25X-14103-00	.THROTTLE SCREW SET	1	
46	1JK-1410A-03	.STARTER SET	1	
47	1JK-1480A-00	.DIAPHRAGM SET, 1	1	
48	3AJ-1480J-10	.NEEDLE SET	1	
48	3AJ-1480J-20	.NEEDLE SET	1	
50	1JK-14840-01	.DIAPHRAGM ASSY	1	



3AJ1351-8080

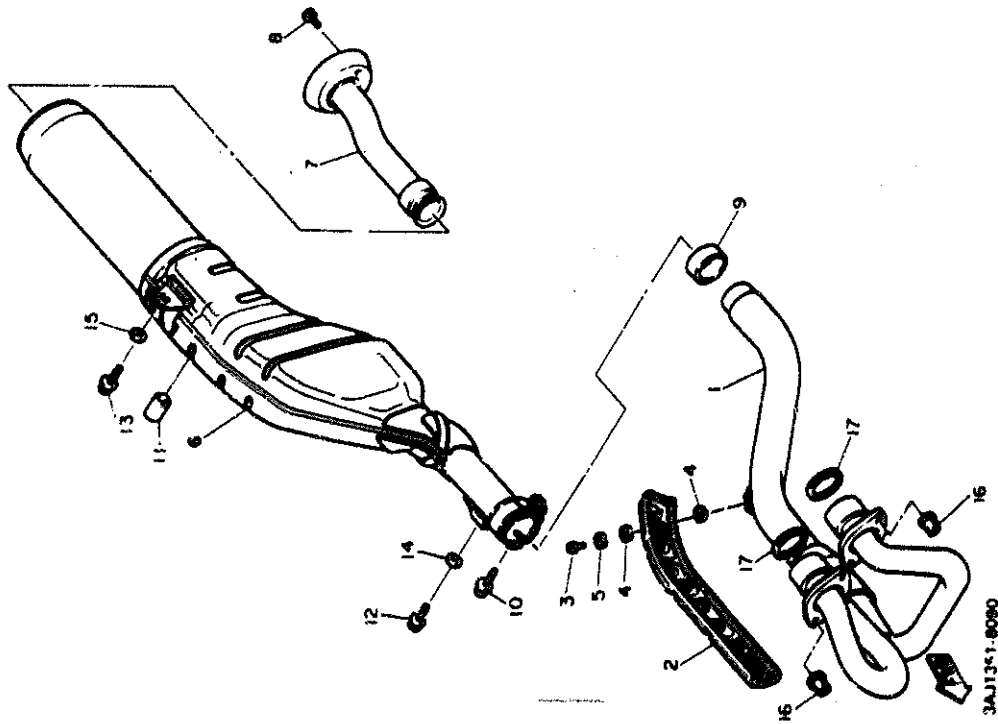
B14



3AJ1351-8080

FIG. 9 EXHAUST

REF. NO.	PART NO.	DESCRIPTION	QTY	REMARKS
1	3AJ-14811-00	PIPE, exhaust 1	1	
2	3AK-14829-01	PROTECTOR, exhaust pipe	1	
3	90164-09017	SCREW, tapping	2	
4	30X-14796-00	WASHER, protector	4	
5	90208-08080	WASHER, weve	2	
6	3AJ-14711-00	MUFFLER 1	1	
7	3AJ-14752-00	PIPE, outlet	1	
8	91316-02012	BOLT	1	
9	3AK-14714-00	GASKET, muffler	1	
10	96816-09045	BOLT, flange	1	
11	3AJ-25181-00	DAMPER, locating 1	1	
12	90109-085E2	BOLT	1	
13	90109-085E3	BOLT	1	
14	90301-08328	WASHER, plate	1	
15	90201-08784	WASHER, plate	1	
16	90179-06488	NUT	4	
17	5Y1-14813-00	GASKET, exhaust pipe	2	



B15

**GENERAL SPE
ENG**

- Cylinder Head
- Cylinder
- Crankshaft - Piston
- Valve
- Camshaft - Chain
- Oil Pump
- Intake
- Carburetor
- Exhaust
- Crankcase
- Crankcase Cover 1
- Starter Clutch
- Clutch
- Transmission
- Shift Cam - Fork
- Shift Shaft

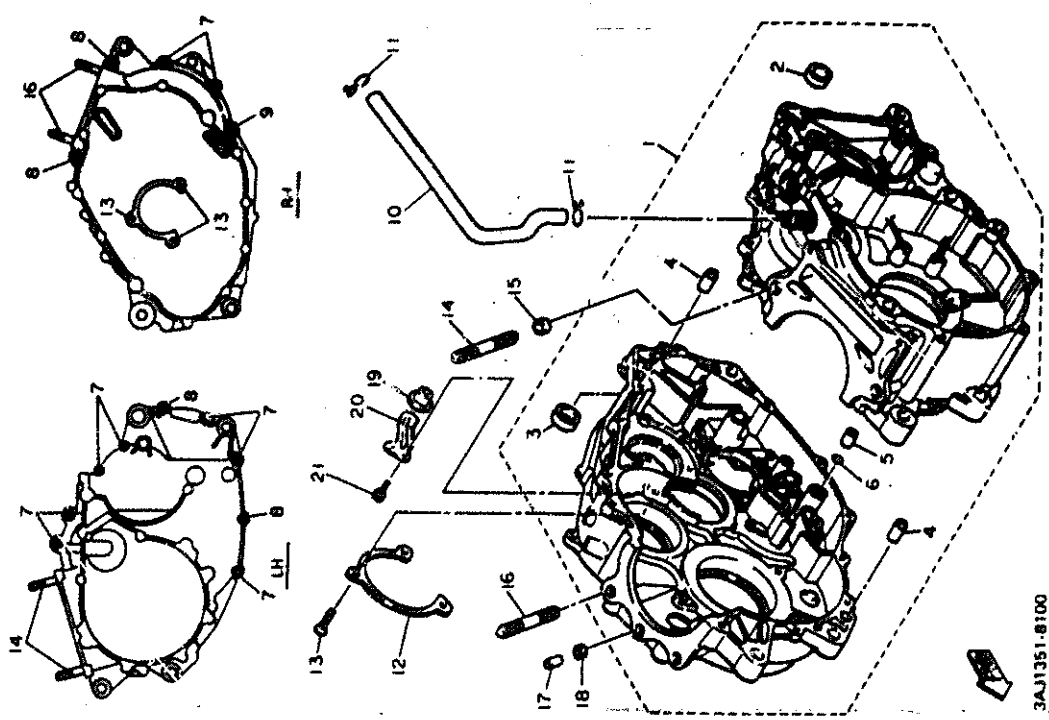
CHA

- Frame
- Fender
- Side Cover
- Rear Arm
- Rear Suspension
- Steering
- Front Fork
- Fuel Tank
- Seat - Carrier

FIG. 19 SIDE COVER

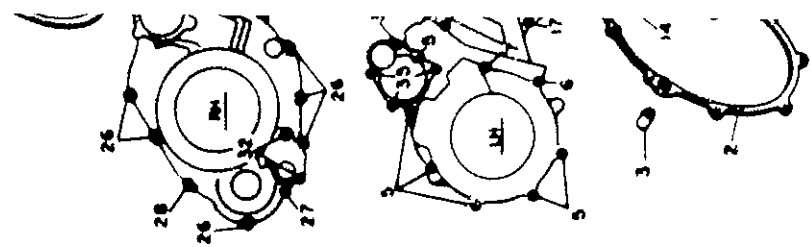
FIG. 10 CRANKCASE

REF. NO.	PART NO.	DESCRIPTION	QTY	REMARKS
1	3AJ-15100-00	CRANKCASE ASSY	1	
2	90387-17783	.COLLAR	1	
3	90387-16782	.COLLAR	1	
4	98610-12016	.PIN, dowel	2	
5	98610-08016	.PIN, dowel	1	
6	93210-07135	.O-RING	1	
7	90110-08138	BOLT, hexagon socket head	9	
8	91316-06045	BOLT	4	
9	91316-08060	BOLT	1	
10	1VJ-11166-00	PIPE, breather 1	1	
11	90487-14015	CLIP	2	
12	5Y1-15383-00	PLATE, bearing cover	1	
13	92701-08012	SCREW, flat head	3	
14	90116-10656	BOLT, stud	2	
15	98610-12016	PHL, dowel	2	
16	90116-10283	BOLT, stud	2	
17	98610-08016	PHL, dowel	1	
18	90430-08178	GASKET	1	
19	3Y6-15167-00	PLUG, blind 1	1	
20	3Y6-15144-00	PLATE, back	1	
21	97313-08016	BOLT	2	



3AJ1351-8100

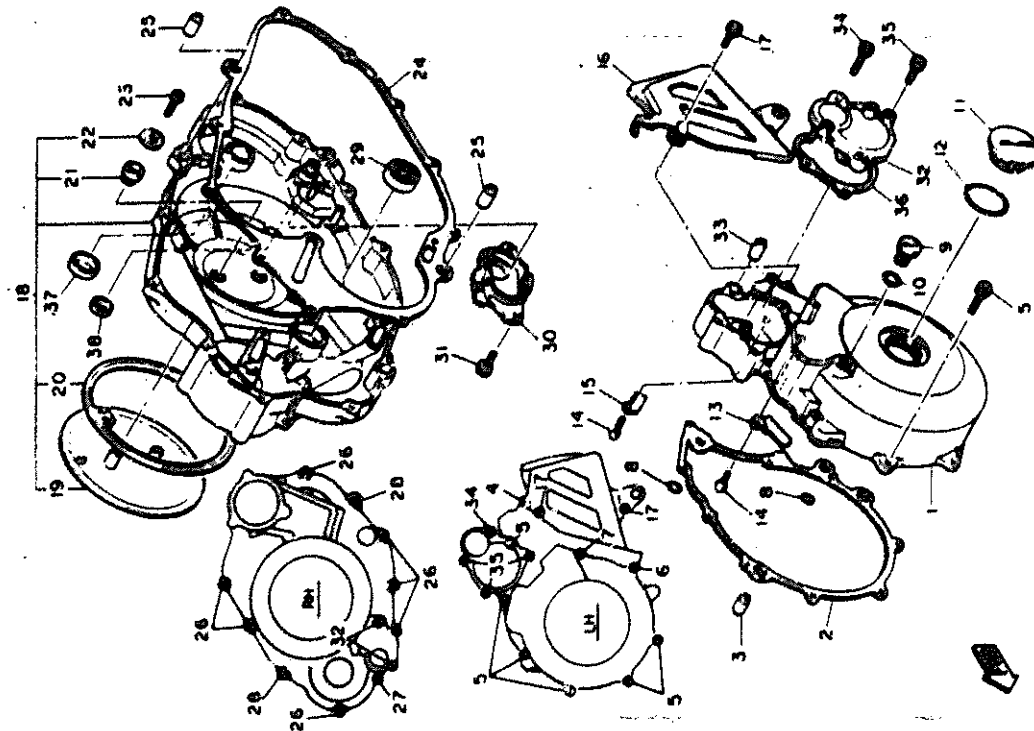
C2



3AJ1351-8110

FIG. 11 CRANKCASE COVER 1

REF. NO.	PART NO.	DESCRIPTION	QTY	REMARKS
1	1VJ-16411-00	COVER, crankcase 1	1	
2	1VJ-16451-00	GASKET, crankcase cover 1	1	
3	88610-12016	PIN, dowel	2	
4	91316-08035	BOLT	1	
5	91316-08026	BOLT	6	
6	91316-08060	BOLT	1	
7	91316-08060	BOLT	1	
8	83210-13361	O-RING	2	
9	90340-14079	PLUG, straight screw	1	
10	83210-4388	O-RING	1	
11	90340-36078	PLUG, straight screw	1	
12	83210-36510	O-RING	1	
13	90485-16301	CLAMP	1	
14	82601-08012	SCREW, pan head	2	
15	80482-18102	LAMP	1	
16	1VJ-16421-00	COVER, crankcase 2	1	
17	91316-08016	BOLT	2	
18	3AJ-15430-00	CRANKCASE COVER ASSY 3	1	
19	3AJ-15418-01	COVER, crankcase	1	
20	1JK-15449-00	RING, rubber	1	
21	1JK-15486-00	GROMMET	2	
22	90308-05279	WASHER	2	
23	88601-08010	SCREW, pan head	2	
24	3AJ-15462-00	GASKET, crankcase cover 3	1	
25	88610-12016	PIN, dowel	2	
26	91316-08026	BOLT	7	
27	80110-08128	BOLT, N yagon socket head	1	
28	91316-08035	BOLT	2	



3AJ1351-8110

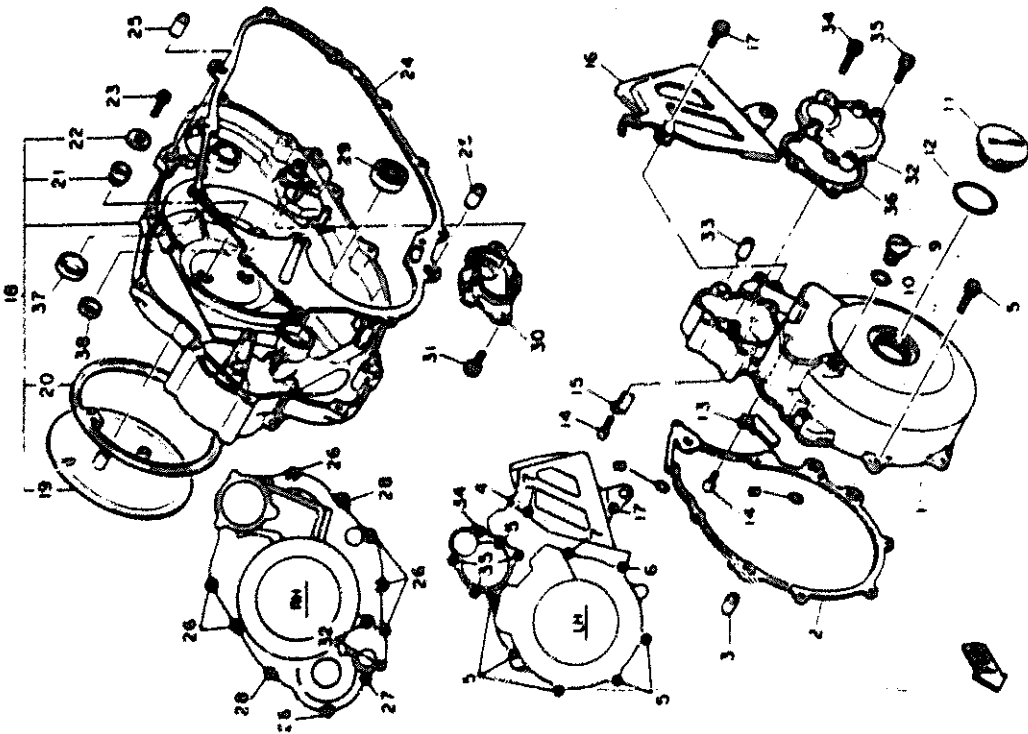
C3

FIG. 20 REAR ARM

3AJ1351-8110

FIG. 11 CRANKCASE COVER 1

REF. NO.	PART NO.	DESCRIPTION	QTY	REMARKS
29	80101-14082	OIL SEAL (S7-14-25-S.S-1-HS)	1	
30	871-18417-01	COVER cap	1	
31	81316-08016	BOLT	2	
32	1VJ-15418-00	COVER, generator	1	
33	80810-08016	PHL. screw	1	
34	81316-08026	BOLT	1	
35	81316-08026	BOLT	3	
36	1VJ-18488-00	GASKET 1	1	
37	80338-30088	PLUG	1	
38	80338-31100	PLUG	1	



3AJ1361-8110

C4

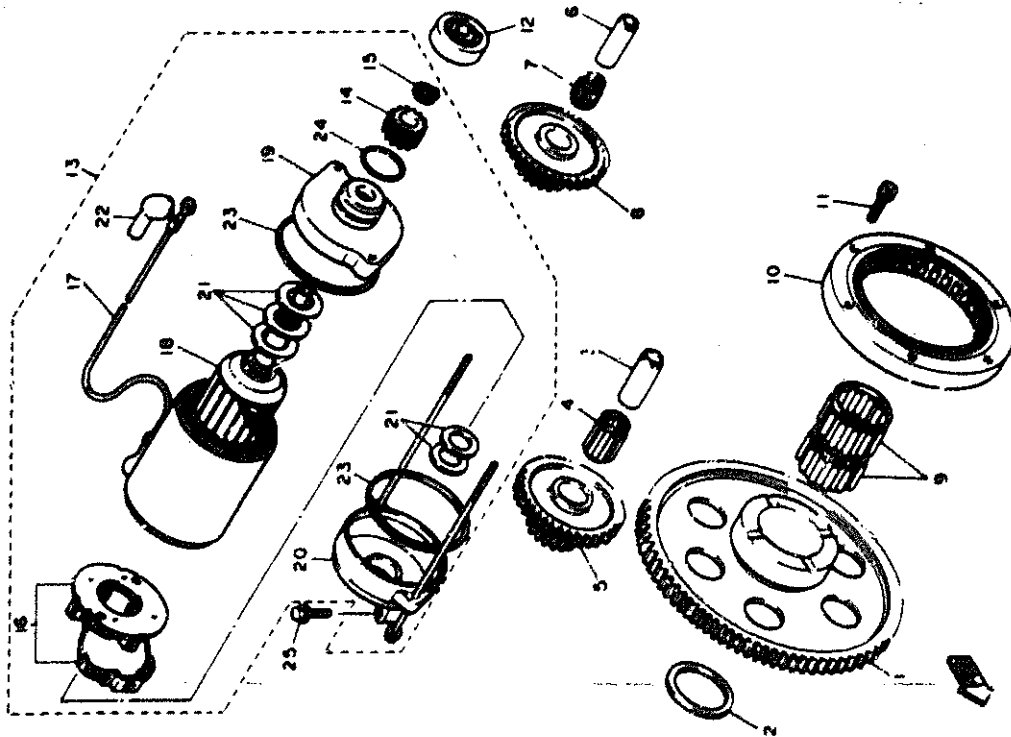


3AJ1361-8120

FIG. 29 REAR ARM

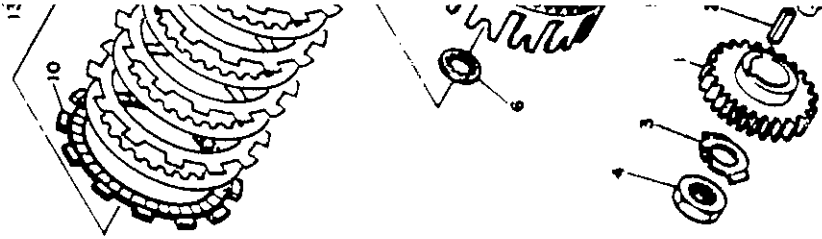
FIG. 12 STARTER CLUTCH

REF. NO.	PART NO.	DESCRIPTION	QTY	REMARKS
1	1VJ-18516-00	GEAR 3	1	
2	50301-30770	WASHER, plate	1	
3	1VJ-18522-00	SHAFT 2	1	
4	50310-21787	BEARING, cylindrical	1	
5	1VJ-18517-00	GEAR, idler 2	1	
6	1VJ-18531-00	SHAFT 1	1	
7	50310-21298	BEARING, cylindrical	1	
8	1VJ-18512-00	GEAR, idler 1	1	
9	50310-53098	BEARING, cylindrical	2	
10	1VJ-18500-00	STARTER ONE-WAY ASSY	1	
11	91311-08030	BOLT	3	
12	50305-30006	BEARING (80200)	1	
13	3AJ-81800-00	STARTING MOTOR ASSY	1	
14	1VJ-18511-00	GEAR, starting motor	1	
15	50440-11024	CIRCLIP	1	
16	3AJ-81801-00	BRUSH SET	1	
17	1VJ-81936-00	CORD COMP.	1	
18	3AJ-81860-00	ARMATURE ASSY	1	
19	3AJ-81830-00	FRONT BRACKET ASSY	1	
20	3AJ-81820-00	REAR BRACKET ASSY	1	
21	3AJ-81808-00	WASHER KIT	1	
22	400-81871-00	CAP	1	
23	11H-81844-00	GASKET	2	
24	28H-81847-00	O-RING	1	
25	58811-08030	BOLT, flange	2	



3AJ1351 8120

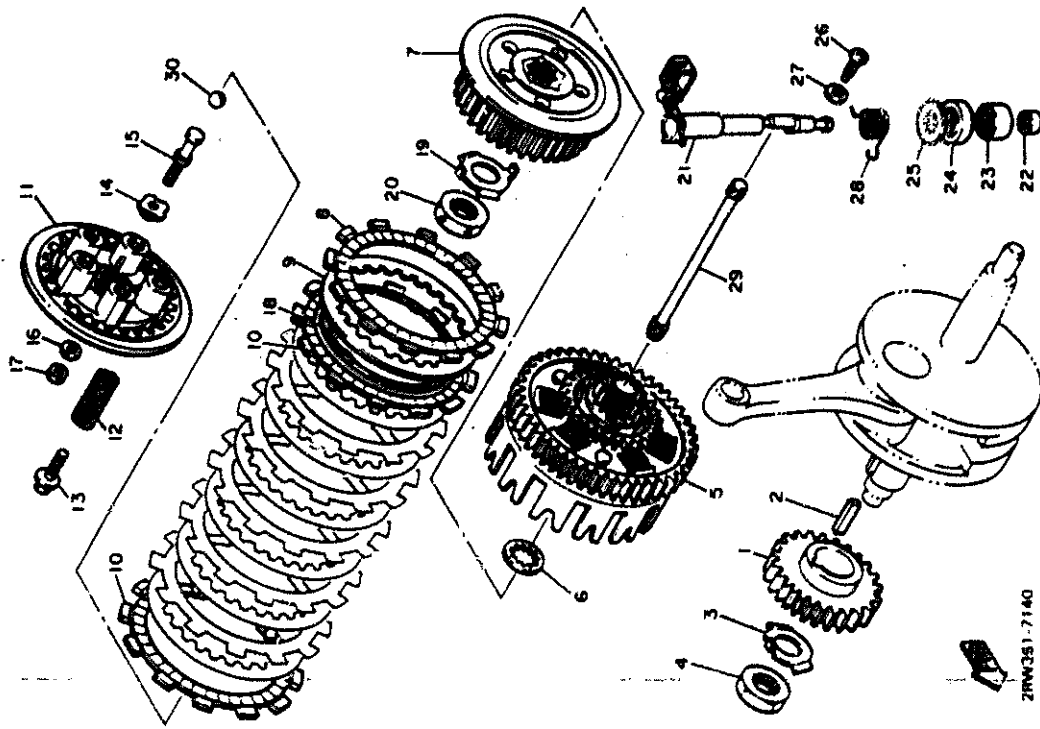
C5



28W051 7140

FIG. 13 CLUTCH

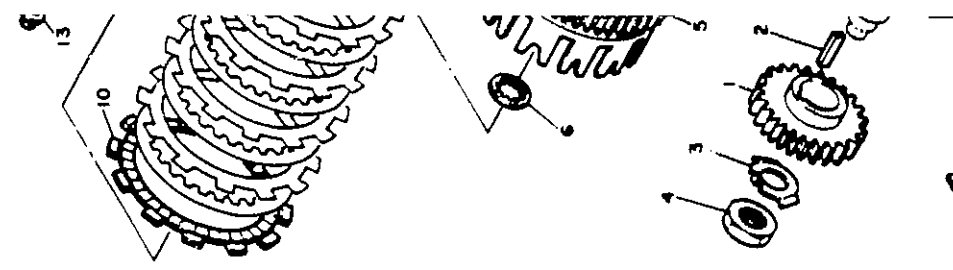
REF. NO.	PART NO.	DESCRIPTION	QTY	REMARKS
1	34K-16111-00	GEAR, primary drive(31T)	1	
2	90282-07042	KEY, straight	1	
3	90215-20187	WASHER, lock	1	
4	90170-20274	NUT	1	
5	34K-16180-00	PRIMARY DRIVEN GEAR COMP.(74T)	1	
6	2JN-16184-00	PLATE, thrust 1	1	
7	2JN-16371-00	BOSS, clutch	1	
8	5Y1-16321-00	PLATE, friction	1	
9	360-16326-00	PLATE, clutch 2	6	
10	5Y1-16331-01	PLATE, friction 2	7	
11	5Y1-16381-00	PLATE, pressure 1	2	
12	90601-23142	SPRING, compression	1	
13	90189-06010	SCREW, with washer	6	
14	30X-16358-00	PLATE, push	5	
15	34K-16366-00	ROD, push 1	1	
16	92901-06300	WASHER, plain	1	
17	96303-06600	NUT	1	
18	5Y1-16383-00	SPRING, clutch boss	1	
19	90215-20231	WASHER, lock	1	
20	90170-20327	NUT	1	
21	1VJ-16380-01	PUSH LEVER ASSY	1	
22	93317-11020	BEARING, cylindrical	1	
23	93316-11720	BEARING, cylindrical	1	
24	93102-17367	OIL SEAL	1	
25	90430-08119	GASKET	1	
26	90149-08067	SCREW	1	
27	90201-17327	WASHER, plate	1	
28	90608-14710	SPRING, torsion	1	



ZPW351-7140



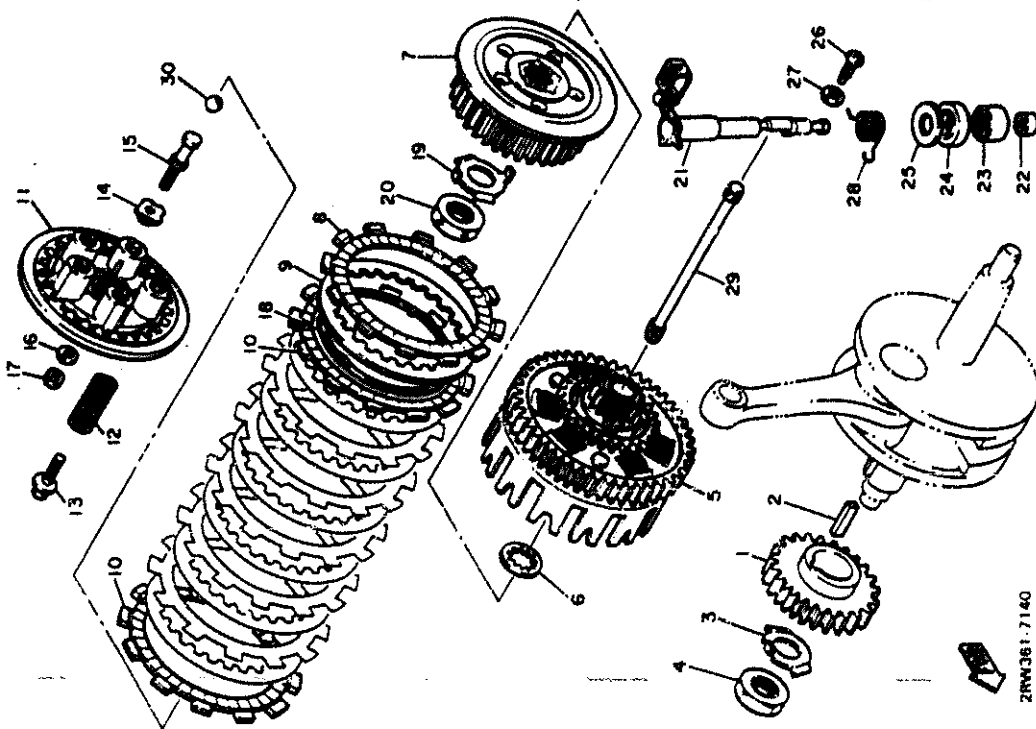
FIG. 21 REAR SUSPENSION



ZPW351-7140

FIG. 13 CLUTCH

REF. NO.	PART NO.	DESCRIPTION	QTY	REMARKS
29	8Y1-18367-00	ROD, PUSH 2	1	
30	83816-33029	BALL	1	



C7

ZRW381-7140

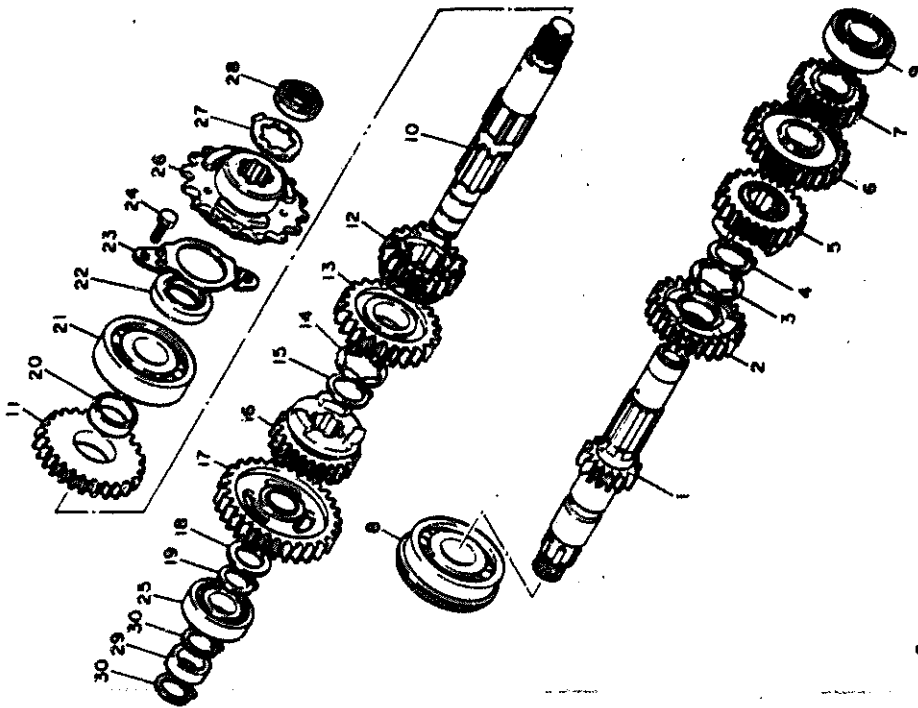


3AJ1261-8140

FIG. 22 STEERING

FIG. 14 TRANSMISSION

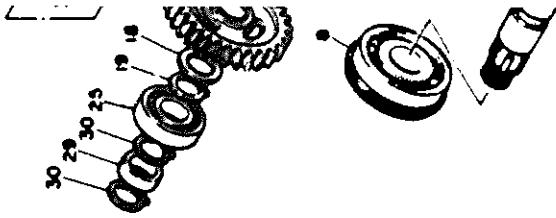
REF. NO.	PART NO.	DESCRIPTION	QTY	REMARKS
1	2RW-17411-00	AXLE, main (12T)	1	
2	3AK-17141-00	GEAR, 4th pinion(22T)	1	
3	80308-22181	WASHER	1	
4	93440-26084	CIRCLIP	1	
5	1VJ-17131-00	GEAR, 3rd pinion (20T)	1	
6	2JT-17181-00	GEAR, 6th pinion (24T)	1	
7	3AK-17121-01	GEAR, 2nd pinion (17T)	1	
8	83308-30640	BEARING (6308NR1C3)	1	
9	83308-00431	BEARING	1	
10	2RW-17402-00	DRIVE AXLE ASSY	1	
11	2JT-17221-00	GEAR, 2nd wheel (27T)	1	
12	2JT-17281-00	GEAR, 6th wheel (18T)	1	
13	1VJ-17231-00	GEAR, 3rd wheel (24T)	1	
14	80308-22181	WASHER	1	
15	93440-26084	CIRCLIP	1	
16	3AJ-17241-00	GEAR, 4th wheel (21T)	1	
17	85U-17241-00	GEAR, 4th wheel (21T)	1	
18	3AJ-17211-00	GEAR, 1st wheel(31T)	1	
19	3AL-17211-00	GEAR, 1st wheel (31T)	1	
20	80301-20278	WASHER, plate (1.0T)	1	
21	98008-26400	CIRCLIP	1	
22	90860-25283	SPACER	1	
23	93308-30636	BEARING	1	
24	93102-26326	OIL SEAL	1	
25	E71-17471-00	PLATE, cover	1	
26	97021-08014	BOLT	2	
27	93308-00426	BEARING	1	
28	98888-01798	SPROCKET, drive (15T)	1	



3AJ1351-8140



FIG. 22 STEERING



3AJ1351-8140

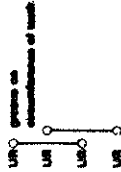
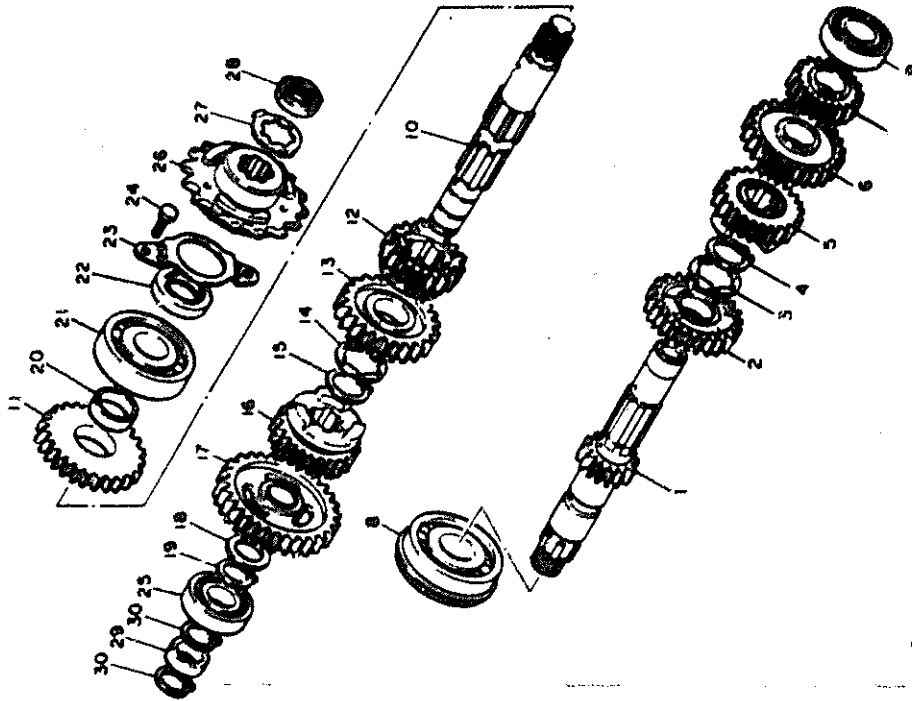


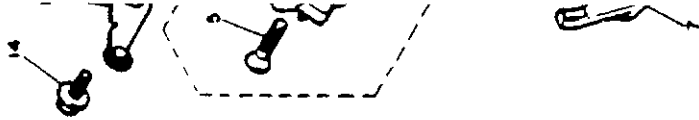
FIG. 14 TRANSMISSION

REF. NO.	PART NO.	DESCRIPTION	QTY	REMARKS
27	90215-23285	WASHER, lock	1	
28	90179-18652	NUT	1	
29	90890-20189	SPACER	1	
30	99009-20400	CIRCLIP	2	



3AJ1351-8140

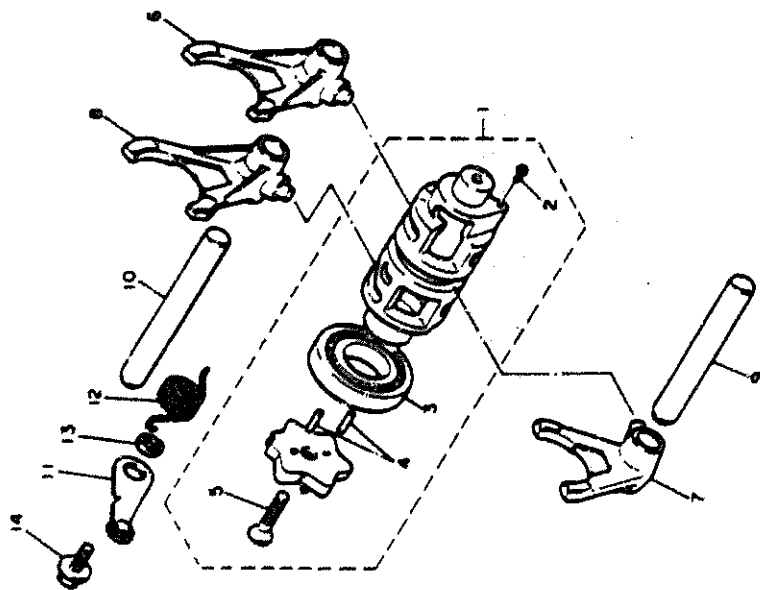
C9



273303-7150

FIG. 15 SHIFT CAM, FORK

REF. NO.	PART NO.	DESCRIPTION	QTY	REMARKS
1	8Y1-18840-00	SHIFT CAM ASSY	1	
2	138-18842-00	POINT, needle	1	
3	83316-00803	BEARING, cylindrical	1	
4	83804-10811	PIN, dove	2	
5	80181-08017	SCREW, countersunk	1	
6	8Y1-18811-00	FORK, shift 1	1	
7	8Y1-18812-00	FORK, shift 2	1	
8	8Y1-18813-00	FORK, shift 3	1	
9	34K-18831-00	BAR, shift fork guide 1	1	
10	34K-18838-00	BAR, shift fork guide 2	1	
11	34K-18149-00	STOPPER LEVER ASSY	1	
12	80808-28891	SPRING, tension	1	
13	80387-68377	COLLAR	1	
14	80188-08078	SCREW, with washer	1	



C10

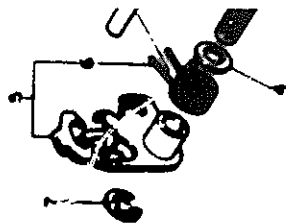
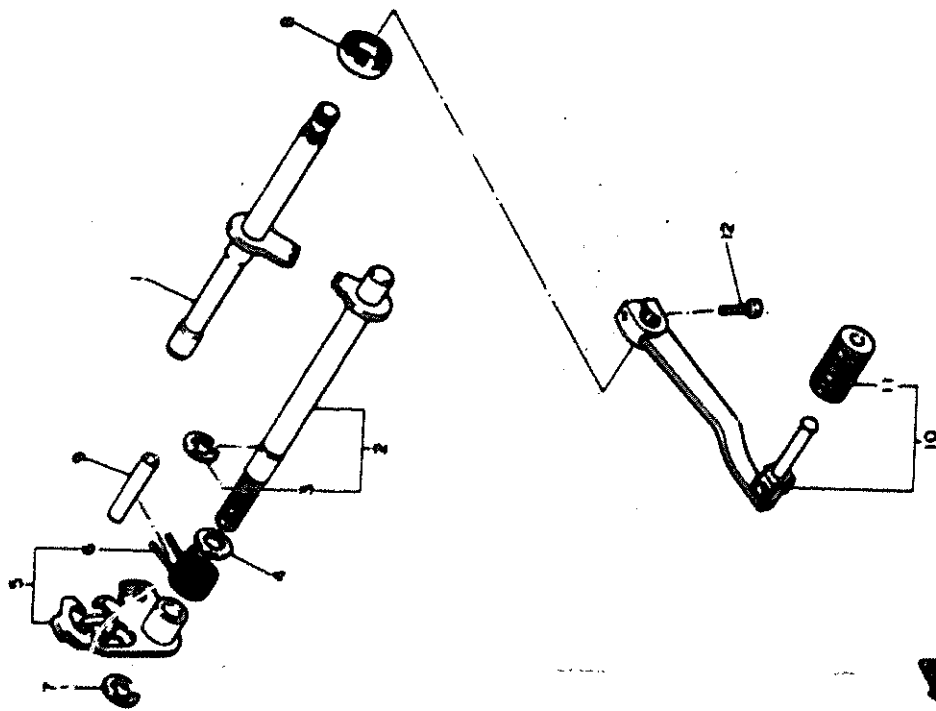


FIG. 23 FRONT FORK

FIG. 16 SHIFT SHAFT

REF. NO.	PART NO.	DESCRIPTION	QTY	REMARKS
1	435-18102-01	SHIFT SHAFT ASSY 2	1	
2	5V1-18101-01	SHIFT SHAFT ASSY	1	
3	50001-10000	.CIRCCLIP	1	
4	50001-12474	WASHER, plain	1	
5	345-18120-00	SHIFT LEVER ASSY	1	
6	50005-30029	.SPRING, torsion	1	
7	50001-00000	CIRCCLIP	1	
8	50102-12108	J/L SEAL (SD 12-21-8 NB)	1	
9	50005-32048	PKL, detent	1	
10	1VJ-181-0-00	SHIFT PEDAL ASSY	1	
11	1W8-18113-00	.COVER, shift pedal	1	
12	87018-00020	BOLT	1	



DAE 9-0007A1

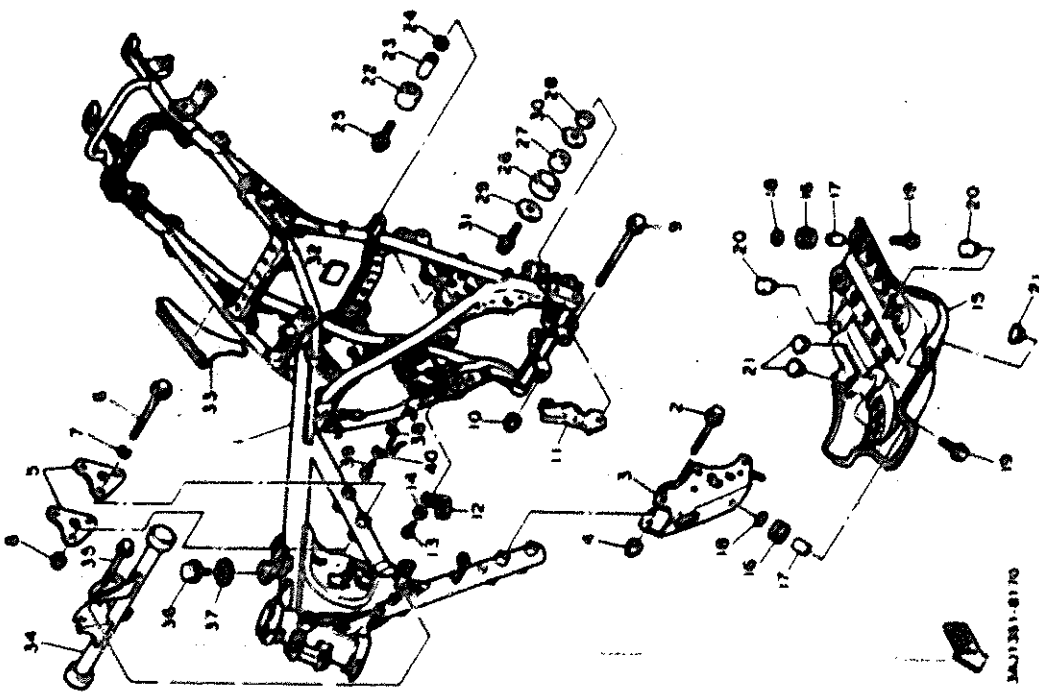
C11



DAE 1-0112A1

FIG. 17 FRAME

REF. NO.	PART NO.	DESCRIPTION	QTY	REMARKS
1	3AJ-21110-00-FH	FRAME COMP.	1	UR FIRE RED
	3AJ-21110-00-IJ	FRAME COMP.	1	UR FABAMWAY BLUE
2	80105-10205	BOLT, washer head	4	
3	1VJ-21310-00-FH	STAY, engine 3	1	UR FIRE RED
	1VJ-21310-00-IJ	STAY, engine 3	1	UR FABAMWAY BLUE
4	80105-10200	NUT, self-locking	4	
5	34L-21310-00	STAY, engine 2	2	
6	87011-10000	BOLT	3	
7	82001-10100	WASHER, spring	3	
8	80105-10200	NUT, self-locking	3	
9	86871-10100	BOLT, Range	1	
10	80105-10200	NUT, self-locking	1	
11	34L-21700-01	PLATE	1	
12	871-21441-00	BRACKET, stop switch	1	
13	82001-08012	SCREW, pan head	1	
14	82000-08100	WASHER, spring	1	
15	1VJ-21471-00	PROTECTOR, engine	1	
16	80400-10300	GROMMET	3	
17	82007-08017	COLLAR	3	
18	82001-08013	WASHER, plate	3	
19	86871-08005	BOLT, Range	3	
20	400-27114-00	STOPPER, main stand	2	
21	2UR-21730-00	SEAL, 1	3	
22	300-22170-00	TENSIONER	1	
23	404-22104-00	BUSH	1	
24	82001-02100	WASHER, plate	1	
25	86870-08010	BOLT, Range	1	
26	300-22170-00	TENSIONER	1	

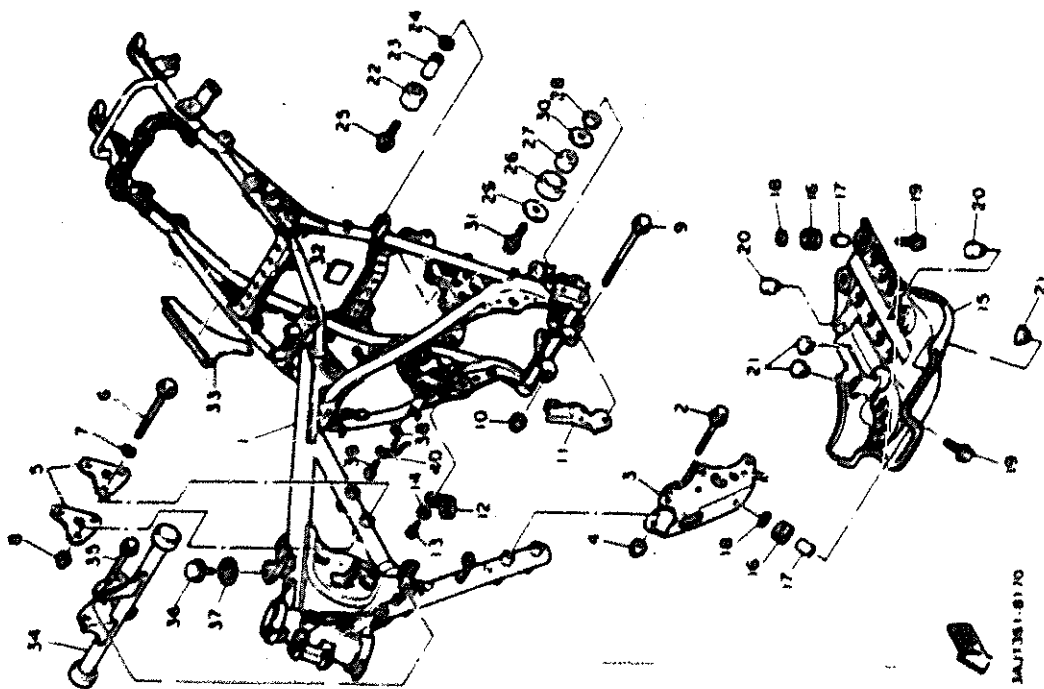


3AJ1381-0170

C12

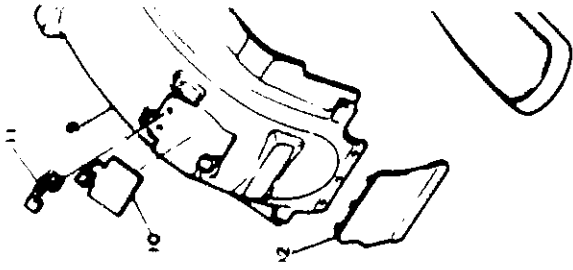
FIG. 17 FRAME

REF. NO.	PART NO.	DESCRIPTION	QTY	REMARKS
27	4V4-22184-00	BUSH	1	
28	90287-088E1	COLLAR	1	
29	90201-13408	WASHER, plate	1	
30	90201 8783	WASHER, plate	1	
31	90109-08706	BOLT	1	
32	2H7-21628-00	DAMPER, mud guard	1	
33	3AJ-2174A-00	INSULATOR, side cover	1	
34	3AJ-24116-00	STAY, fuel tank	1	
35	91028-08070	BOLT, flange	2	
36	3AJ-24186-00	DAMPER, locating B	2	
37	3AJ-24146-00	NUT, fuel tank 1	2	
38	3AJ-28878-00	HOLDER, brake hose 1	1	
39	92808-08012	SCREEN, fan head	1	
40	92808-08100	WASHER, spring	1	



3AJ1381-8170

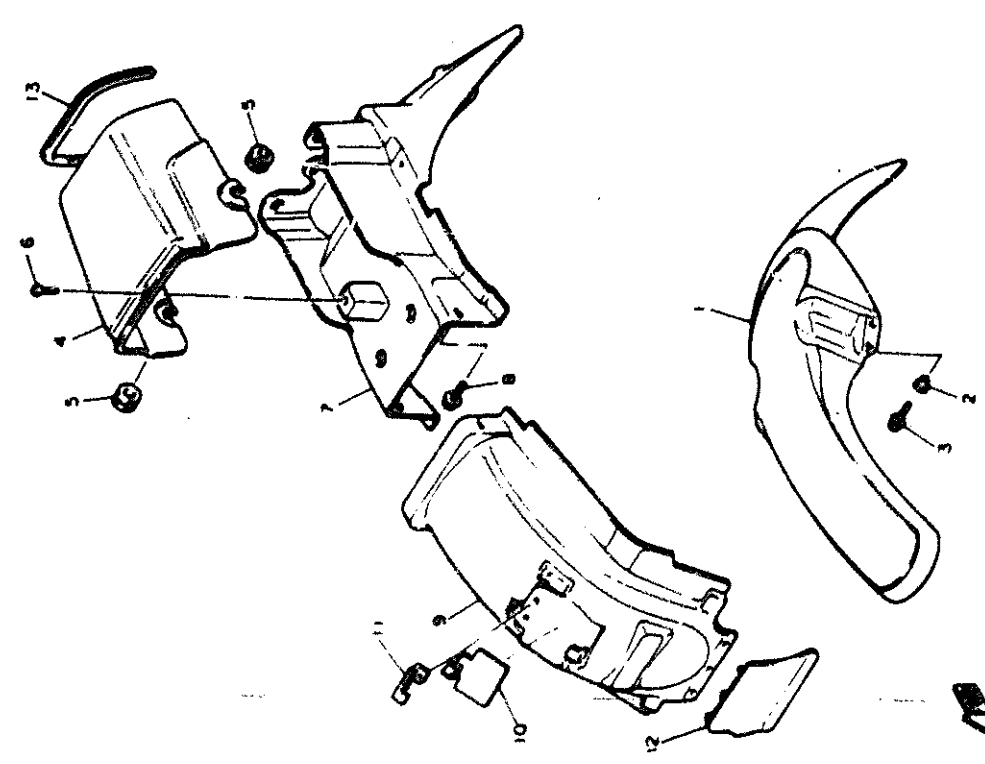
C13



3AJ1381-8188

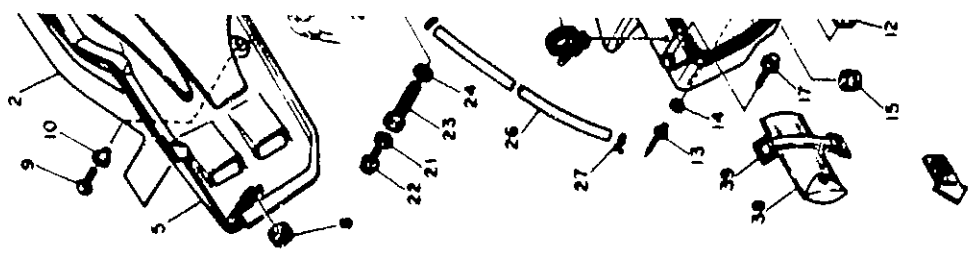
FIG. 18 FENDER

REF. NO.	PART NO.	DESCRIPTION	QTY	REMARKS
1	3AJ-21611-00-98	FENDER, front	1	UR WHITE / BLACK
	3AJ-21611-10-98	FENDER, front	1	UR BLUE / BLACK
2	90387-00081	COLLAR	4	
3	90119-00083	BOLT, with washer	4	
4	1VJ-21611-00	FENDER, rear	1	UR WHITE
	1VJ-21611-10	FENDER, rear	1	UR FARAWAY BLUE
5	90480-18388	GROMMET	2	
6	90164-00004	SCREW, tapping	1	
7	1VJ-21688-01	BRACKET, license	1	
8	90119-00043	BOLT, with washer	4	
9	1VJ-21629-02	GUARD, mud	1	
10	3AJ-21648-00	DAMPER	1	
11	3AJ-21688-00	BRACKET, rear stay	1	
12	30X-21631-00	FLAP	1	
13	1VJ-28346-00	MOLE 2	1	



3AJ1361-8190

C14



3AJ1361-8190

FIG. 19 SIDE COVER

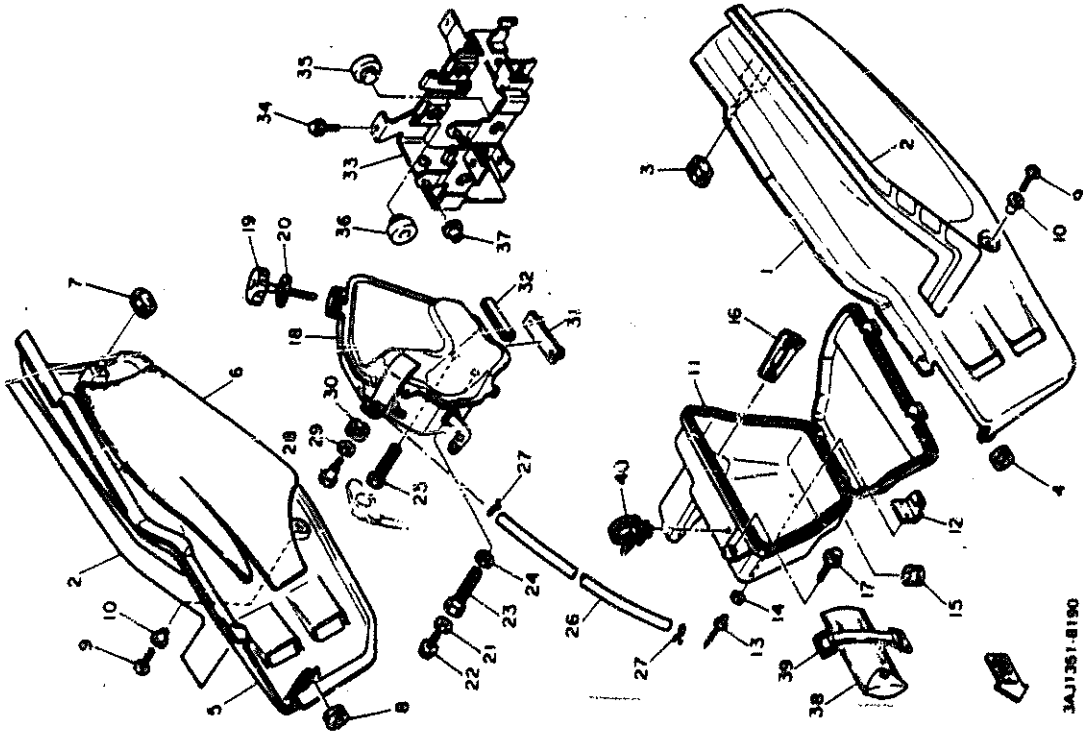
REF. NO.	PART NO.	DESCRIPTION	QTY	REMARKS
1	3AJ-21711-00	COVER, side 1	1	UR WHITE
	3AJ-21711-10	COVER, side 1	1	UR FARAWAY BLUE
2	3AJ-2173L-00	GRAPHIC SET 1	1	UR FOR W
	3AJ-2173L-10	GRAPHIC SET 1	1	UR FOR FWS
3	90480-01141	GROMMET	1	
4	90490-12326	GROMMET	1	
5	3AJ-21721-00	COVER, side 2	1	UR WHITE
	3AJ-21721-10	COVER, side 2	1	UR FARAWAY BLUE
6	3AJ-2174A-10	INSULATOR, side cover	1	
7	43F-21773-00	GROMMET	1	
8	90480-12326	GROMMET	1	
9	90149-08223	SCREW	2	
10	90387-064J1	COLLAR	2	
11	1VJ-2177A-00	BOX	1	
12	43G-14436-00	HOOK	2	
13	90287-40073	RIVET, blind	4	
14	92990-0M200	WASHER, plain	4	
15	90480-10408	GROMMET	2	
16	1VJ-2172E-00	STAY, side cover 1	1	
17	90119-08043	BOLT, with washer	3	
18	1VJ-21750-00	OIL TANK ASSY	1	
19	1VJ-21761-00	GAUGE, level	1	
20	90430-27124	GASKET	1	
21	90430-08119	GASKET	1	
22	91001-08012	BOLT, flange	1	
23	1VJ-21738-00	BOLT	1	
24	90201-12790	WASHER, plate	1	
25	1VJ-21756-00	NET, fiber	1	

**GENERAL SI
EN**

- Cylinder Head
- Cylinder
- Crankshaft - Piston
- Valve
- Camshaft - Chain
- Oil Pump
- Intake
- Carburetor
- Exhaust
- Crankcase
- Crankcase Cover 1
- Starter Clutch
- Clutch
- Transmission
- Shift Cam - Fork
- Shift Shaft

CH

- Frame
- Fender
- Side Cover
- Rear Arm
- Rear Suspension
- Steering
- Front Fork
- Fuel Tank
- Seat - Carrier



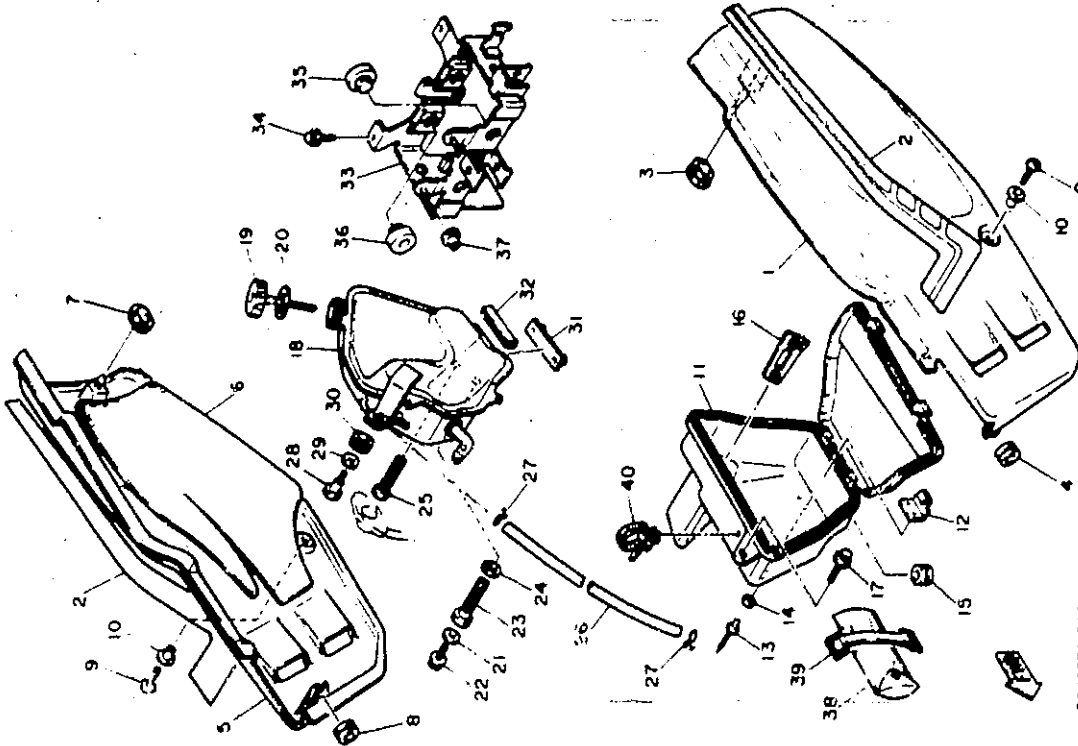
3AJ1361-B190

C15

FIG. 26 FRONT WHEEL

FIG. 18 SIDE COVER

REF. NO.	PART NO.	DESCRIPTION	QTY	REMARKS
26	90466-11746	HOSE	1	
27	90467-10006	CLIP	2	
28	1VJ-21738-00	BOLT	2	
29	90201-10131	WASHER, plate	2	
30	90480-13466	GROMMET	2	
31	34K-21776-00	DAMPER, locating 1	1	
32	1VJ-21747-00	DAMPER	1	
33	1VJ-21776-00	BOX, battery	1	
34	91002-08010	BOLT, flange	2	
35	371-82121-00	PAD, battery	4	
36	116-27114-00	STOPPER, main stand	2	
37	90480-10408	GROMMET	2	
38	43F-28100-01	TOOL KIT	1	
39	214-82131-00	BAND, battery	1	
40	90464-12086	CLAMP	1	



3AJ1351-8190

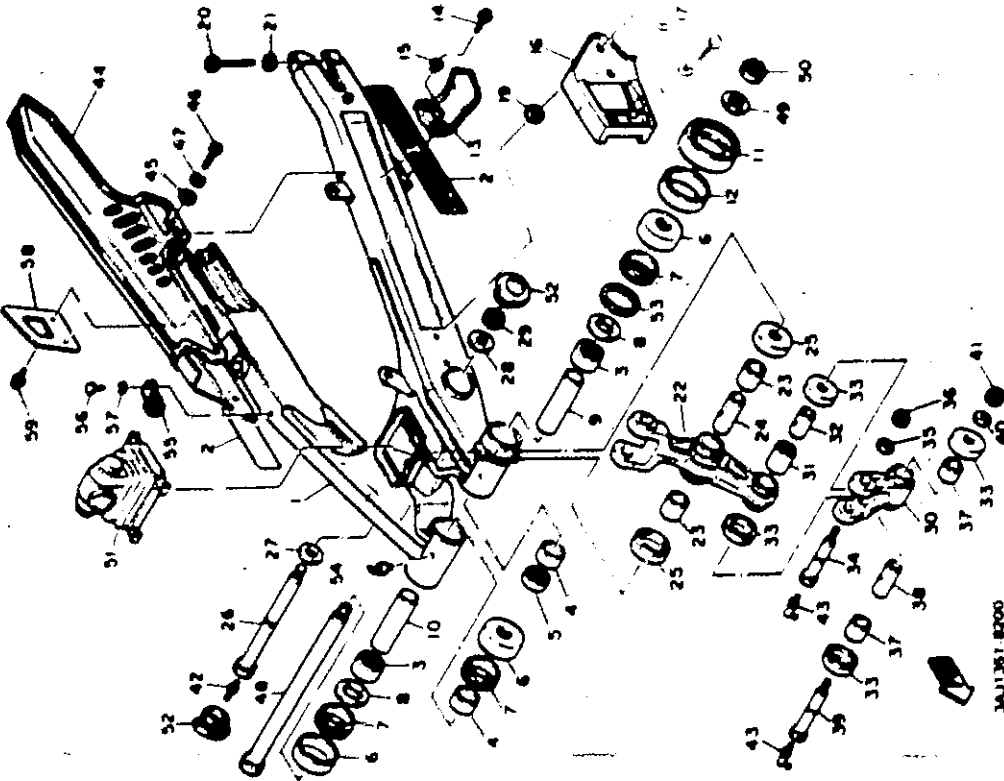
D2



3AJ1351-8200

FIG. 20 REAR ARM

REF. NO.	PART NO.	DESCRIPTION	QTY	REMARKS
1	3AJ-22116-00	REAR ARM COMP	1	
2	3AJ-2218A-00	ASSEMBLY rear arm	2	UR FOR W
3	3AJ-2218A-20	ASSEMBLY rear arm	2	UR FOR PWB
4	90017-32231	BEARINGS, cylindrical	2	
5	90009-22111	BUSH, mild	2	
6	90100-22019	OIL SEAL (DC 22-28-0)	1	
7	200-22120-01	COVER, sheet 1	3	
8	90100-20004	OIL SEAL (28-41-0)	3	
9	90001-24448	WASHER, plate (1 9017)	2	
10	14J-22123-00	BUSH 1	1	
11	34L-22124-00	BUSH 2	1	
12	90007-44003	SEAL, grom	1	
13	30V-22100-00	COLLAR	1	
14	90001-00000	SUPPORT, chain	1	
15	90007-00737	BOLT, flange	2	
16	20V-22147-00	COLLAR	2	
17	57000-00012	PROTECTOR, chain	1	
18	90000-00100	BOLT	2	
19	90000-00223	WASHER, spring	2	
20	01311-00000	WASHER	2	
21	90001-00000	BOLT	2	
22	34L-22124-00	WASHER, plate	2	
23	90000-20120	ARM, valve	1	
24	90000-14000	BUSH	2	
25	34L-22120-00	BUSH, mild	1	
26	90000-12043	COVER, sheet 1	2	
27	90001-14000	BOLT	1	
28	90001-14000	WASHER, plate	1	

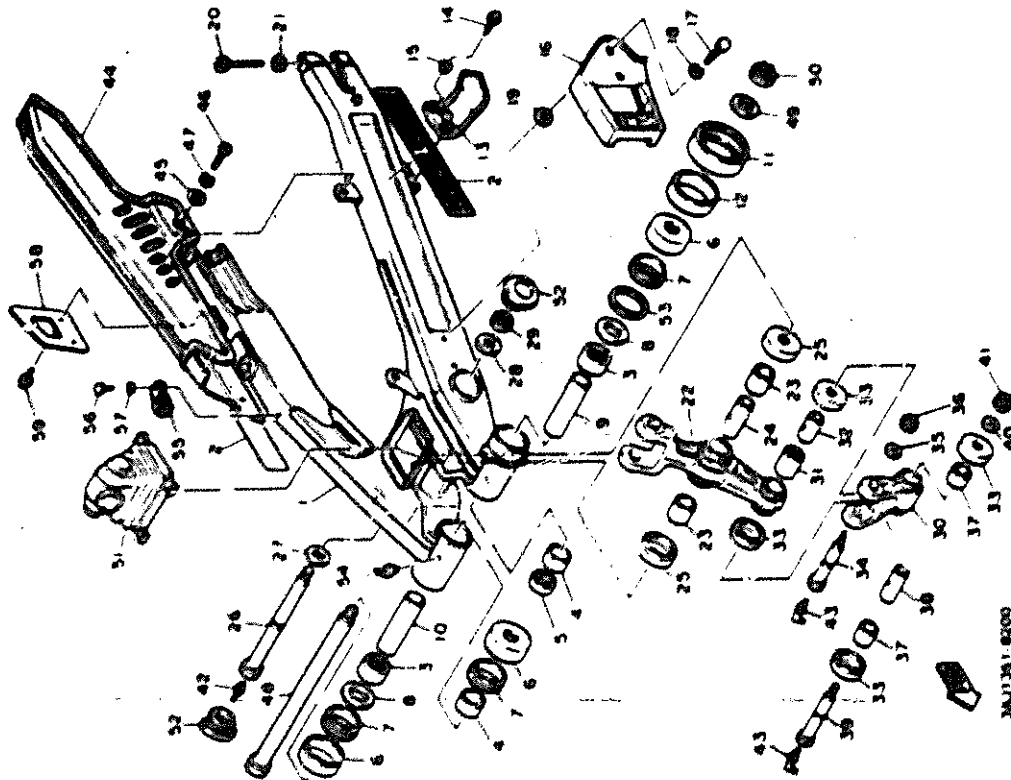


D3

FIG. 27 REAR WHEEL

FIG. 20 REAR ARM

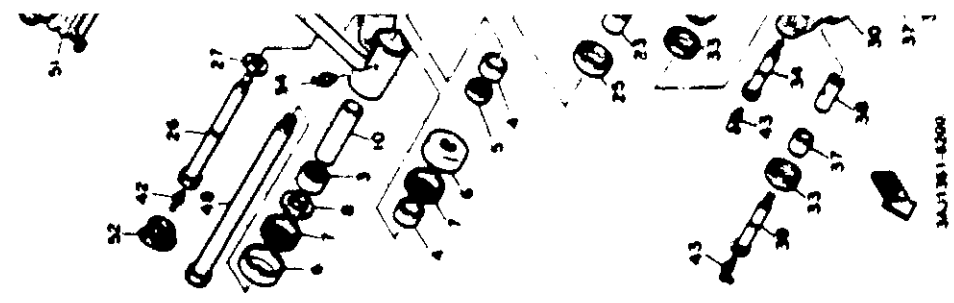
REF. NO.	PART NO.	DESCRIPTION	QTY	REMARKS
28	90201-120A5	WASHER, plate	1	
29	90185-12119	NUT, self-locking	1	
30	34L-22177-00	ROD, connecting 1	1	
31	90215-31732	1 ARMED, cylindrical	1	
32	90287-121H1	COLLAR	1	
33	23K-22129-00	COVER BRUSH 2	4	
34	90109-10789	BOLT	1	
35	90201-10029	WASHER, plate	1	
36	90189-10120	NUT, self-locking	1	
37	90288-20123	BUSH	2	
38	90287-122J6	COLLAR	1	
39	90109-10760	BOLT	1	
40	90201-10077	WASHER, plate	1	
41	90185-10037	NUT, self-locking	1	
42	93700-08026	NEPPLÉ grease	1	
43	93700-08004	NEPPLÉ grease	2	
44	34L-22311-01	CASE, chain	1	
45	90201-082A8	WASHER, plate	2	
46	93208-08016	SCREW, pan head	2	
47	93208-08100	WASHER, spring	2	
48	1VJ-22141-00	SHAFT, pivot	1	
49	90201-16228	WASHER, plate	1	
50	90185-14970	NUT, self-locking	1	
51	34L-22189-00	BOOT, rubber	1	
52	34L-22117-00	CAP	2	
53	90201-201P6	WASHER, plate	1	
54	93700-08026	NEPPLÉ grease	2	
55	90481-32110	CLAMP	1	



34J1361-6200

D4

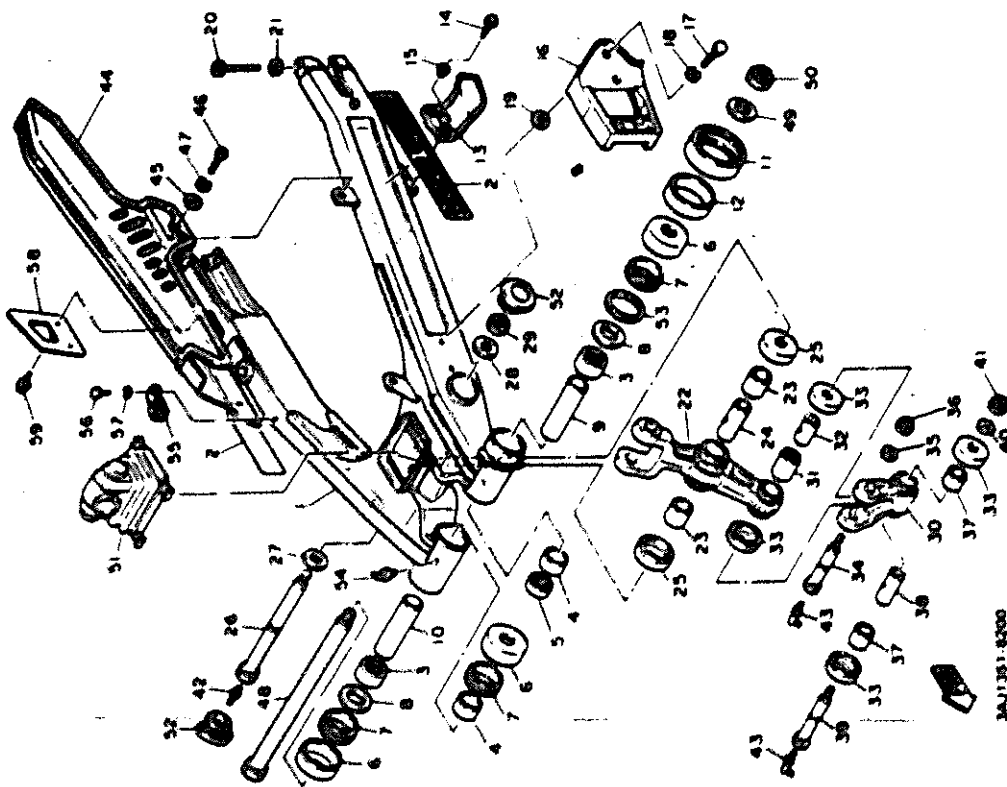
FIG. 20 REAR BRASS CALLIPER



34J1361-6300

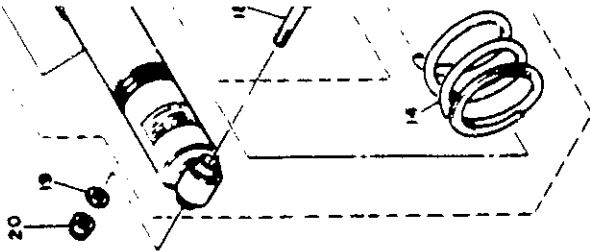
FIG. 20 REAR ARM

REF. NO.	PART NO.	DESCRIPTION	QTY	REMARKS
56	97001-08012	BOLT	1	
57	82980-08100	WASHER, spring	1	
58	2KF-27481-00	PROTECTOR	1	
59	86891-08010	BOLT, Range	2	



3AJ1351-8200

D6

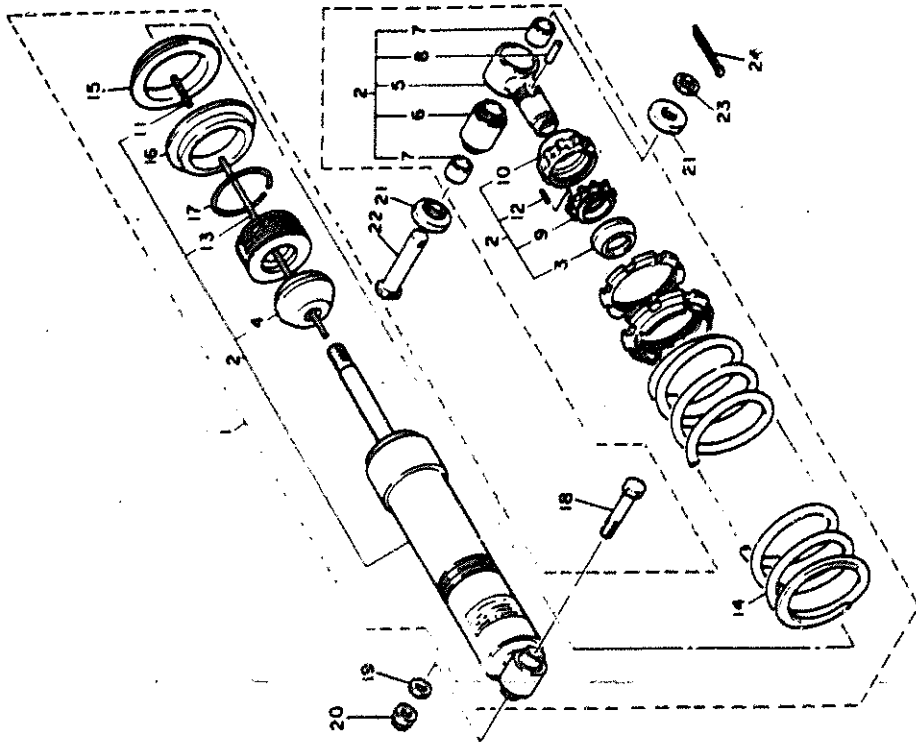


3AJ1351-8210

FIG. 19 STEERING HANDLE, CABLE

FIG. 21 REAR SUSPENSION

REF. NO.	PART NO.	DESCRIPTION	QTY	REMARKS
1	3AJ-22210-00-33	SHOCK ABSORBER ASSY, rear	1	YAMAHA BLACK
2	50T-22201-00	-DAMPER SUB ASSY	1	
3	3R4-22221-01	--COVER	1	
4	50T-22483-00	--BUMP, stop	1	
5	50T-22408-00	--UPPER BRACKET SUB ASSY	1	
6	34L-22228-00	--BUSH, shock absorber lower	1	
7	90380-14130	--BUSH, solid	2	
8	93904-28132	--PIN, dowel	1	
9	50T-22487-00	--NUT, adjusting	1	
10	50T-22211-00	--COVER	1	
11	93804-21183	--PIN, dowel	1	
12	93802-11144	--PIN, dowel	1	
13	50T-22488-00	--ROD, push	1	
14	3AJ-22212-00-33	-SPRING	1	YAMAHA BLACK
15	50T-22224-00	-GUIDE, spring 2	1	
16	3Y1-22223-00	-SEAT, spring lower	1	
17	93440-48079	-CIRCLIP	1	
18	90101-12498	BOLT	1	
19	90201-12362	WASHER, plate	1	
20	50186-12148	NUT, self-locking	1	
21	34L-22129-00	COVER, thrust 2	2	
22	90240-14106	PIN, clevis	1	
23	92901-14800	WASHER, wave	1	
24	91401-30025	PIN, cotter	1	



D6

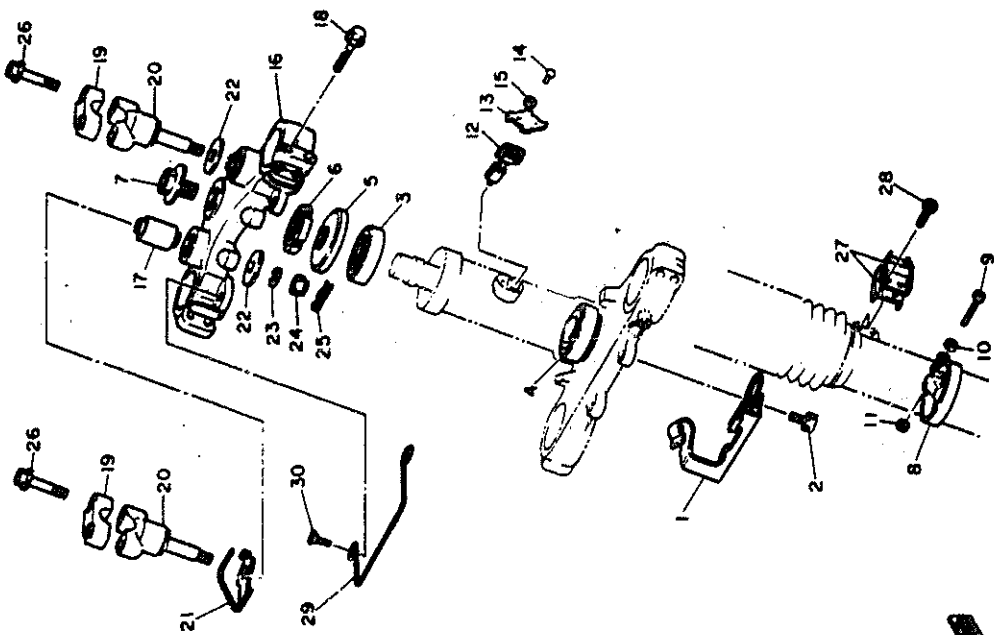
3AJ1351-8210

3AJ1351-8220

FIG. 20 STEERING HANDLE - CABLE

FIG. 22 STEERING

REF. NO.	PART NO.	DESCRIPTION	QTY	REMARKS
1	3AJ-28878-00	HOLDER, brake hose 2	1	
2	97008-08010	BOLT	2	
3	93332-00023	BEARING	1	
4	93332-00008	BEARING	1	
5	1W7-23418-01	COVER, ball race 2	1	
6	90179-26033	NUT	1	
7	90108-14102	BOLT, washer based	1	
8	34L-23318-01	HOLDER, cable 1	1	
9	98801-06030	SCREW, pan head	1	
10	92901-06900	WASHER, plate	1	
11	96303-06900	NUT	1	
12	*	STEERING LOCK ASSY	1	LM
13	134-23484-10	CAP, handle lock	1	
14	90289-04003	RIVET	1	
15	90208-04029	WASHER, conical spring	1	
16	34L-23436-00-98	CROWN, handle	1	LOW GLOSS BLACK
17	5A8-23434-00	HOLDER, clamp	2	
18	91028-08040	BOLT, flange	4	
19	1E8-23441-00	HOLDER, handle upper	2	
20	3AJ-23442-00-98	HOLDER, handle lower	2	LOW GLOSS BLACK
21	3AJ-23388-00	GUIDE, cable	1	
22	90201-100A1	WASHER, plate	3	
23	92901-10100	WASHER, spring	2	
24	96303-10700	NUT	2	
25	90468-12008	CLIP	2	
26	96028-08036	BOLT, flange	4	
27	90465-14242	CLAMP	2	
28	91316-08012	BOLT	2	



D7

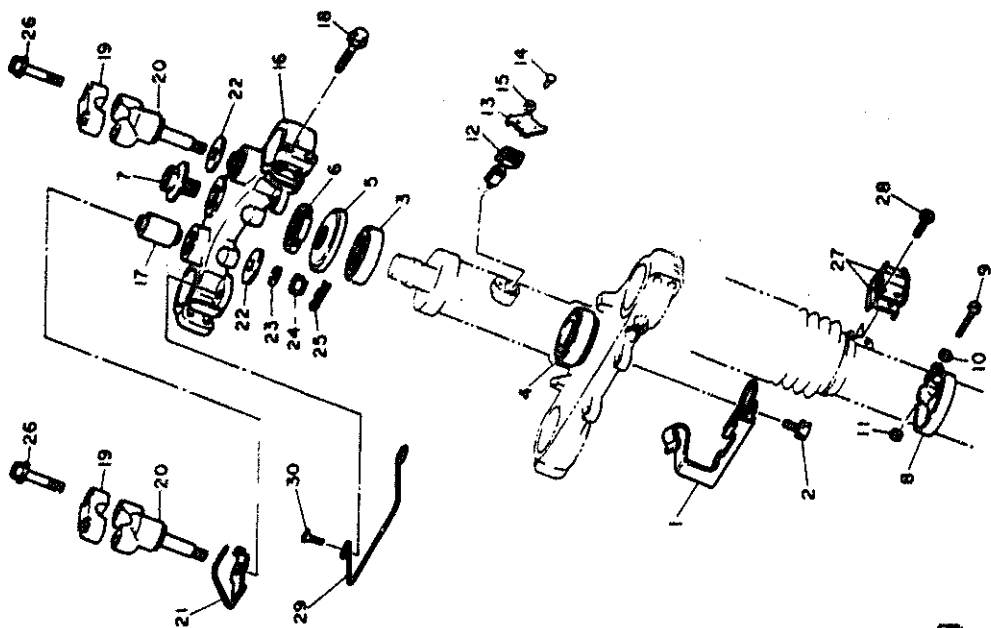
3AJ1351-8220

3AJ1351-8220

FIG. 30 FRONT MASTER CYLINDER

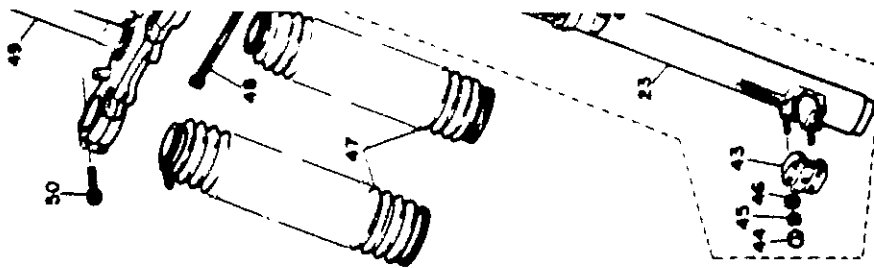
FIG. 22 STEERING

REF. NO.	PART NO.	DESCRIPTION	QTY	REMARKS
28	3AJ-2331E-70	GUNDE, cable	1	
30	82801-00012	SCREW, pan head	2	



3AJ1351-8220

D6

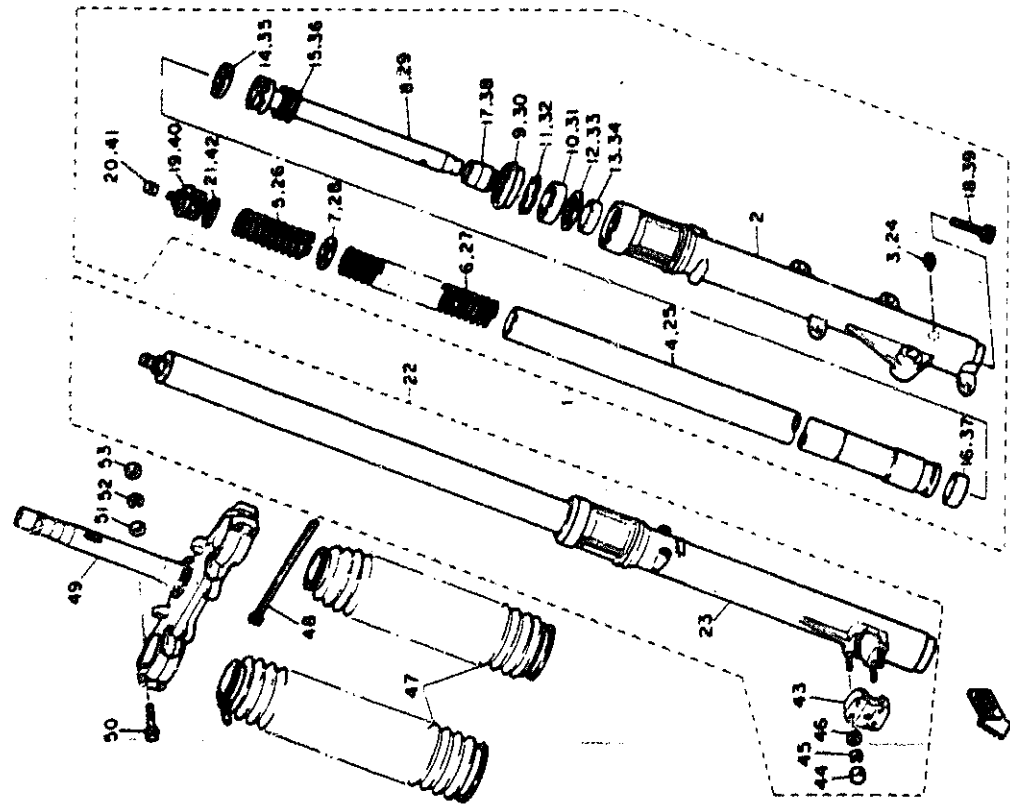


3AJ1351-8220

FIG. 31 STAND - FOOTREST

FIG. 23 FRONT FORK

REF. NO.	PART NO.	DESCRIPTION	QTY	REMARKS
1	3AJ-23102-00	FRONT FORK ASSY (L.H)	1	
2	3AJ-23106-00	OUTER TUBE COMP. (L.H)	1	
3	1E7-23119-00	PLUG, drain	1	
4	3AJ-23110-00	INNER TUBE COMP 1	1	
5	3AJ-23281-00	SPRING	1	
6	3AJ-23141-00	SPRING, front fork	1	
7	34L-23142-00	SEAT, spring upper	1	
8	3AJ-23171-00	PISTON, front fork	1	
9	1LN-23144-00	SEAL, dust	1	
10	1LN-23146-00	OIL SEAL	1	
11	34L-23163-00	RING, snap	1	
12	34L-23147-00	O-RING	1	
13	3AJ-23136-00	METAL, slide 2	1	
14	3AJ-23167-00	RING, piston	1	
15	3AJ-23161-00	SPRING, rebound	1	
16	68W-23171-00	PISTON, front fork	1	
17	3AJ-23166-00	SPACER, oil fork	1	
18	68W-23181-00	BOLT, hexagon socket head	1	
19	3AJ-23111-00	BOLT, cap	1	
20	4V1-23184-L0	CAP, air valve	1	
21	34L-23114-00	GASKET	1	
22	3AJ-23103-00	FRONT FORK ASSY (R.H)	1	
23	3AJ-23107-00	OUTER TUBE COMP. (R.H)	1	
24	1E7-23119-00	PLUG, drain	1	
25	3AJ-23110-00	INNER TUBE COMP.1	1	
26	3AJ-23281-00	SPRING	1	
27	3AJ-23141-00	SPRING, front fork	1	
28	34L-23142-00	SEAT, spring upper	1	



3AJ1331-8230

3AJ1331-8230

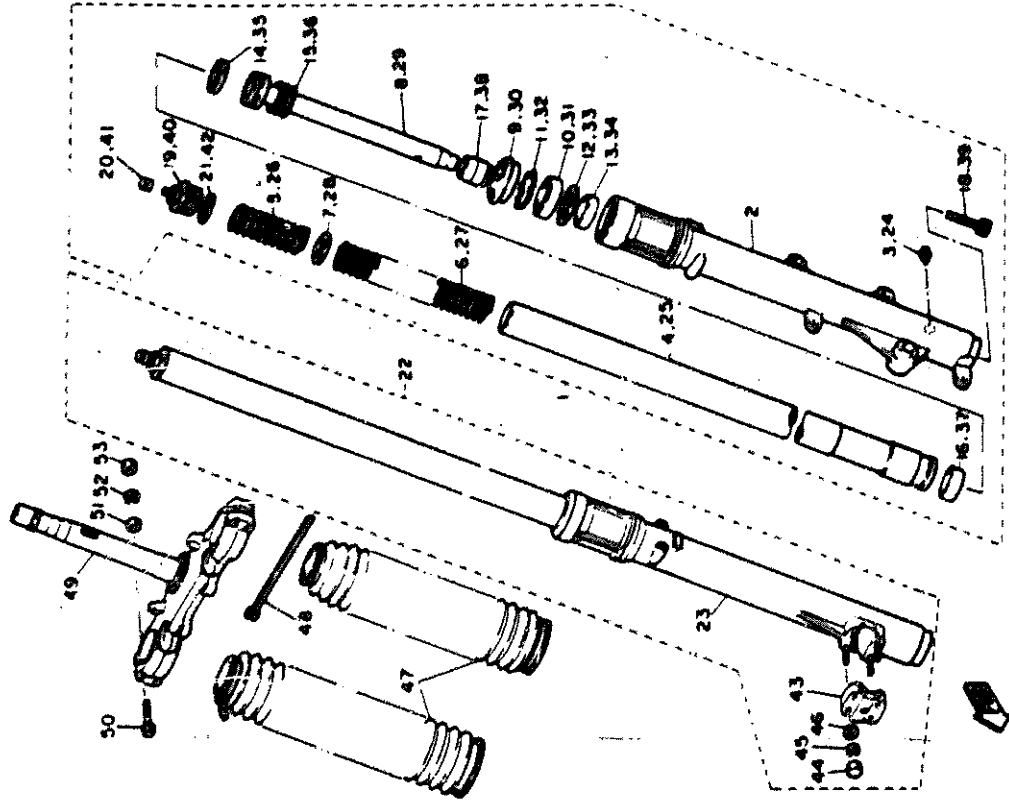
D9

FIG. 23 FRONT FORK

REF. NO.	PART NO.	DESCRIPTION	QTY	REMARKS
29	3AJ-23171-00	.PISTON, front fork	1	
30	1LM-23164-00	.SEAL, dust	1	
31	1LM-23148-00	.OIL SEAL	1	
32	3AL-23183-00	.RING, snap	1	
33	3AL-23147-00	.O-RING	1	
34	3AJ-23138-00	.METAL slide 2	1	
35	3AJ-23187-00	.RING, piston	1	
36	3AJ-23181-00	.SPRING, rebound	1	
37	89W-23171-00	.PISTON, front fork	1	
38	3AJ-23168-00	.SPACER, oil fork	1	
39	89W-23181-00	.BOLT, hexagon socket head	1	
40	3AJ-23111-00	.BOLT, cap	1	
41	4V1-23184-L0	.CAP, air vent	1	
42	3AL-23114-00	.GASKET	1	
43	3AJ-23187-00	.HOLDER, axle	1	
44	95301-08000	.NUT, crown	4	
45	92980-08100	.WASHER, spring	4	
46	92901-04200	.WASHER, plain	4	
47	3AL-23181-10	BOOT	2	LR CHAFFY RED FOR W/ LR COMPETITION YELLOW FOR PWG
48	3AL-23181-00	BOOT	2	
49	3AJ-23182-00	BAND	2	
49	3AJ-23340-20	UNDER BRACKET COMP.	1	
50	3AL-23181-00	BOLT, hexagon socket head	4	
51	92901-08000	WASHER, plain	4	
52	92980-08100	WASHER, spring	4	
53	95311-08000	NUT	4	

LR CHAFFY RED FOR W/ LR COMPETITION YELLOW FOR PWG

D10

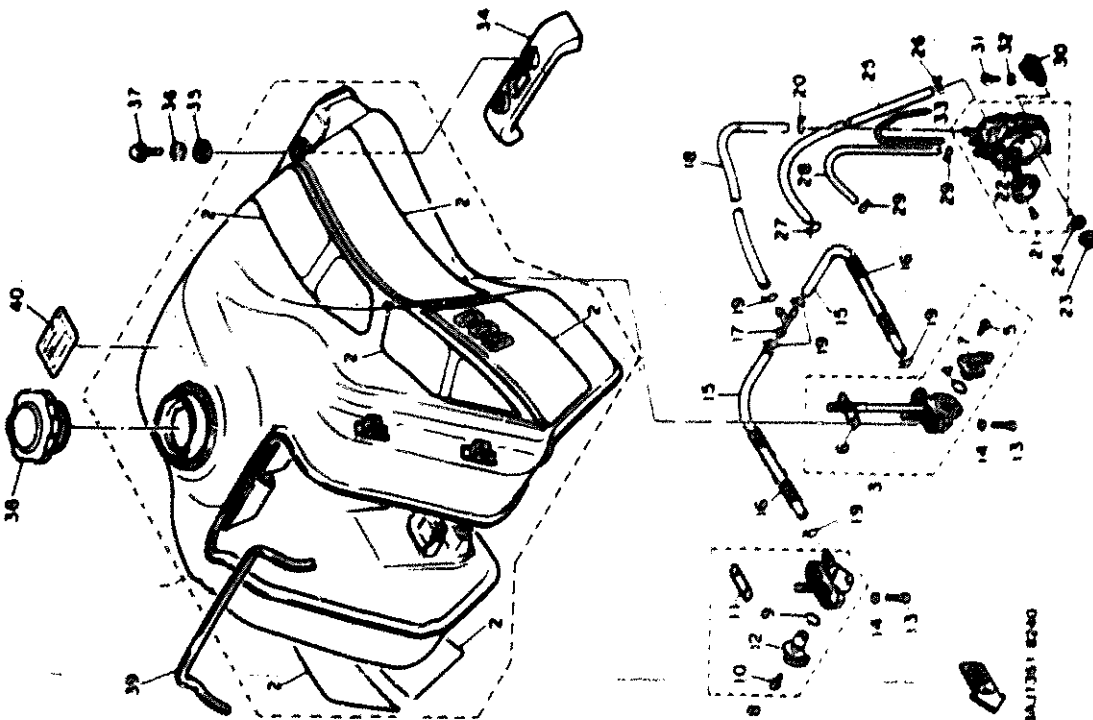


3AJ1381-8230

FIG. 32 REAR MASTER CYLINDER

FIG. 24 FUEL TANK

REF. NO.	PART NO.	DESCRIPTION	QTY	REMARKS
1	3AJ-34116-00-01	FUEL TANK COMP	1	UR FABRICATION BLUE
2	3AJ-34116-00-02	FUEL TANK COMP	1	UR 1. NETE
3	3AJ-34248-00	.GRAPHIC SET	1	UR FOR W
4	3AJ-34248-10	.GRAPHIC SET	1	UR FOR PWG
5	3AJ-34000-00	FUEL COCK ASBY 1	1	
6	3AJ-34000-00	.SEAL, each	1	
7	3AJ-34000-00	.SCREEN, per head	2	
8	3AJ-34000-00	.GASSET	1	
9	3AJ-34000-00	.VALVE	1	
10	3AJ-34000-00	FUEL COCK ASBY 2	1	
11	3AJ-34000-00	.SEAL, each	1	
12	3AJ-34000-00	.SCREEN, per head	2	
13	3AJ-34000-00	.GASSET	1	
14	3AJ-34000-00	.VALVE	1	
15	3AJ-34000-00	SCREEN	4	
16	3AJ-34000-00	WASHER, plate	4	
17	3AJ-34000-00	HOSE	2	
18	3AJ-34000-00	SPRING, compression	2	
19	3AJ-34000-00	WAY 3	1	
20	3AJ-34000-00	HOSE	1	
21	3AJ-34000-00	CLIP	5	
22	3AJ-34000-00	CLIP	1	
23	3AJ-34000-00	FUEL PUMP ASBY	1	
24	3AJ-34000-00	.DIAPHRAGM ASBY	1	
25	3AJ-34000-00	NUT, Range	2	
26	3AJ-34000-00	WASHER, plate	2	
27	3AJ-34000-00	PIPE, Impulse	1	
28	3AJ-34000-00	CLIP	1	

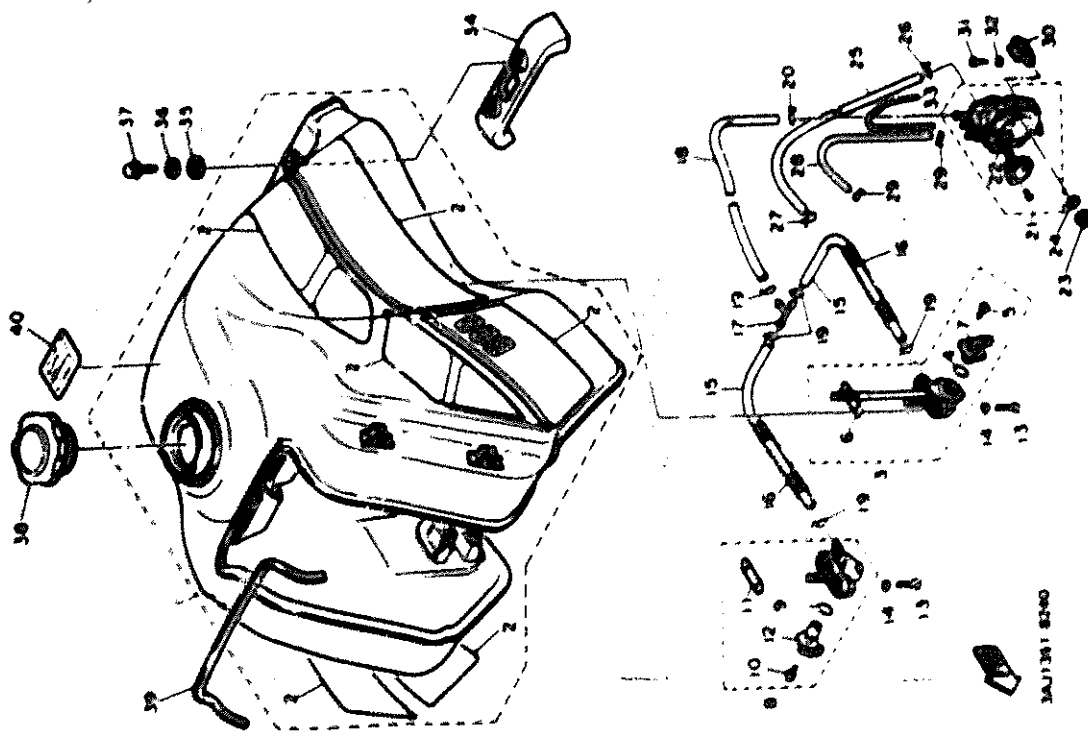


D11

FIG. 25 REAR MASTER CYLINDER

FIG. 24 FUEL TANK

REF NO.	PART NO.	DESCRIPTION	QTY	REMARKS
27	80487-08021	CLIP	1	
28	80448-10828	NOSE	1	
29	80487-08008	CLIP	2	
30	80481-08001	CLAMP	1	
31	82801-08016	SCREW, pan head	1	
32	82800-08100	WASHER, spring	1	
33	80448-08028	NOSE	1	
34	1VJ-24182-00	DAMPEN, mounting 2	1	
35	34L-24183-00	DAMPEN, mounting 3	2	
36	80201-08058	WASHER, pipe	2	
37	88201-08012	BOLT, flange	2	
38	48Y-34803-00	CAP ASSY	1	
39	3AJ-24188-00	MOLD, fuel tank	1	
40	3CE-2828Y-00	LABEL, caution	1	

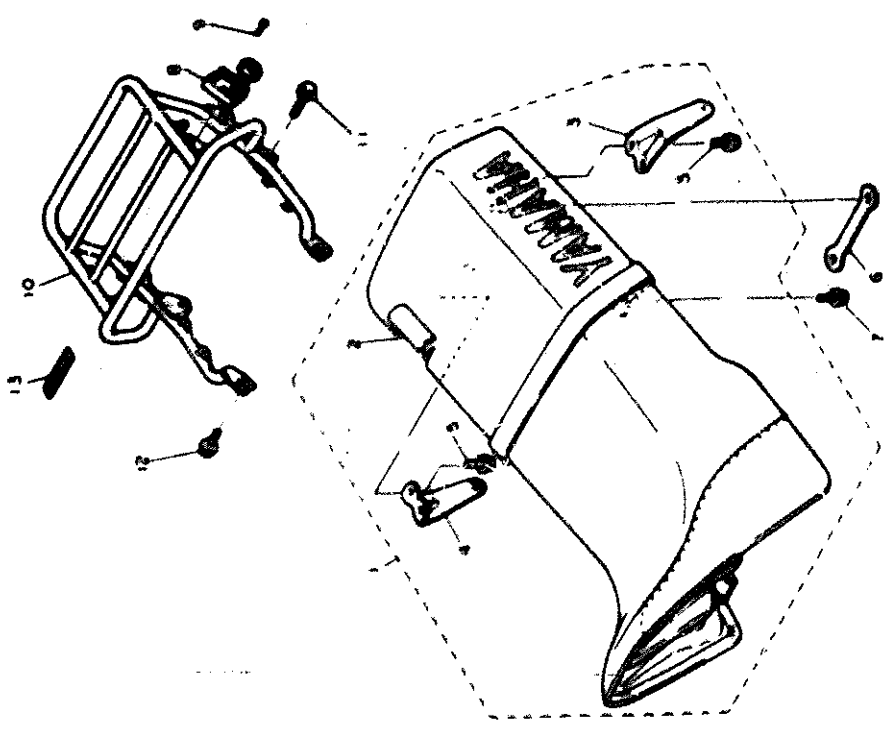


3AJ1381 8290

D12

FIG. 26 SEAT CARRIER

REF. NO.	PART NO.	DESCRIPTION	QTY	REMARKS
1	3AJ-24770-00	SEMI-DOUBLE SEAT ASSY	1	UR CHAPPY RED
	3AJ-24770-10	SEMI-DOUBLE SEAT ASSY	1	UR PASTEL BLUE
2	1VJ-24731-10	.COVER, WH	1	UR CHAPPY RED
	1VJ-24731-00	.COVER, WH	1	UR PASTEL BLUE
3	3AJ-24728-00	.BRACKET, WH	1	
4	3AJ-24748-00	.BRACKET, WH	1	
5	90033-00012	.BOLT, Range	2	
6	3AJ-24734-00	DAMPER, WH	1	
7	90001-00012	BOLT, Range	2	
8	5AG-21300-00	HELMET HANGER ASST	1	
9	92708-00025	SCREW, RH Head	1	
10	3AJ-24830-00-00	SUB CARRIER ASSY	1	LOW GLOSS BLACK
11	91029-00020	BOLT, Range	2	
12	91028-00012	BOLT, Range	2	
13	80V-24877-00	LABEL, custom	1	



3AJ-24770-00

D13

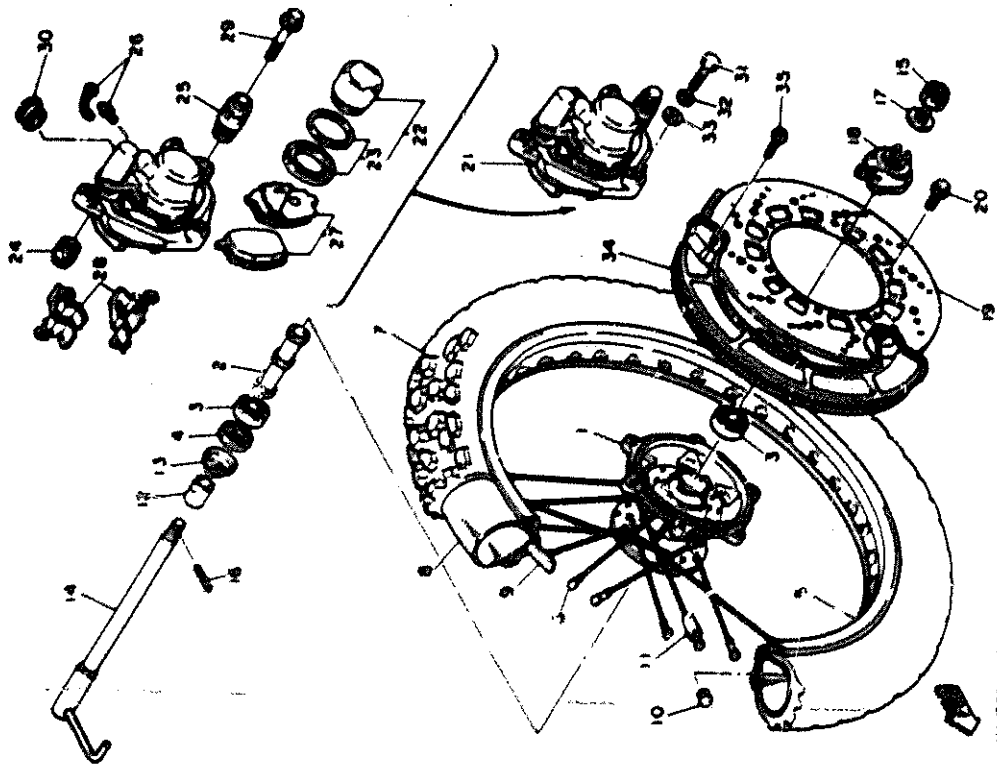


1VJ-24731-10

FIG. 24 GENERATOR

FIG. 26 FRONT WHEEL

REF. NO.	PART NO.	DESCRIPTION	QTY	REMARKS
1	34L-28111-00-06	HUB, front	1	LOW GLOSS BLACK
2	90660-18240	SPACER	1	
3	93306-20209	BEARING (88202)	2	
4	93102-20281	OIL SEAL (SD 20-38-6)	1	
5	94416-21482	RIM (1.00-21)	1	
6	34L-28104-00	SPOKE SET, front	1	
7	94130-21879	TIRE (3.00x21 4PR CP-110F)	1	UR INOUE
8	94130-21140	TIRE (MCS30021 4PR TW28)	1	UR BRIDGESTONE
9	94230-21126	TUBE (3.00-21)	1	UR INOUE
10	94330-21084	TUBE (3.00-21)	1	UR BRIDGESTONE
11	90480-10068	BAND, rim (3.00-21)	1	
12	156-28388-00	GROMMET	1	
13	90387-182J3	BALANCER wheel	1	
14	322-28118-00	COLLAR	1	
15	34L-28181-00	COVER, hub dust	1	
16	90171-14020	AXLE, wheel	1	
17	91401-30030	NUT, castle	1	
18	90301-18785	PIN, castle	1	
19	34L-28190-00	WASHER, plate	1	
20	43F-28831-00	GEAR UNIT ASSY	1	
21	90100-08787	DISC, brake (RIGHT)	1	
22	1VJ-28816-10	BOLT	6	
23	954W-W0087-00	CALLIPER ASSY (LEFT)	1	TITANIC GRAY METALIC
24	954W-W0047-00	PISTON ASSY, caliper	1	
25	982-28817-00	CALLIPER SEAL KIT	1	
26	34L-28837-00	BOOT, caliper	1	
27	51L-W0048-00	BOOT 2	1	
28	954W-W0045-00	BREED SCREW KIT	1	
29	954W-W0045-00	SHAKE PAD KIT	1	
30	954W-28819-00	SUPPORT, pad	2	



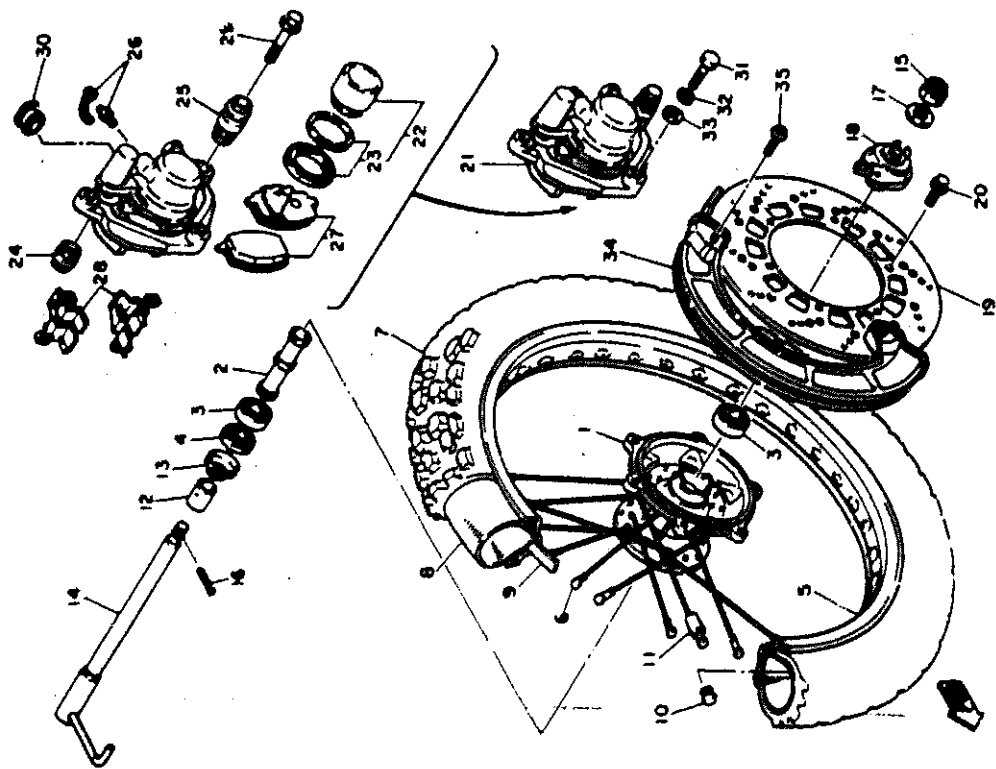
1VJ300-8270

1VJ300-8270

D14

FIG. 26 FRONT WHEEL

REF. NO.	PART NO.	DESCRIPTION	QTY	REMARKS
28	34X-26828-00	.BOLT	1	
30	34X-26846-00	.CAP. indicator	1	
31	90101-10308	BOLT	2	
32	92901-10100	WASHER, spring	2	
33	92901-10200	WASHER, plain	2	
34	1VJ-28716-00	COVER 1	1	UR CHAPPIY MED FOR W
	96W-28716-20	COVER 1	1	UR YELLOW FOR FWS
36	90148-08184	SCREW	2	



1VJ3000-627J

D15

GENERAL SP EN

- Cylinder Head
- Cylinder
- Crankshaft - Piston
- Valve
- Camshaft - Chain
- Oil Pump
- Intake
- Carburetor
- Exhaust
- Crankcase
- Crankcase Cover 1
- Starter Clutch
- Clutch
- Transmission
- Shift Cam - Fork
- Shift Shaft

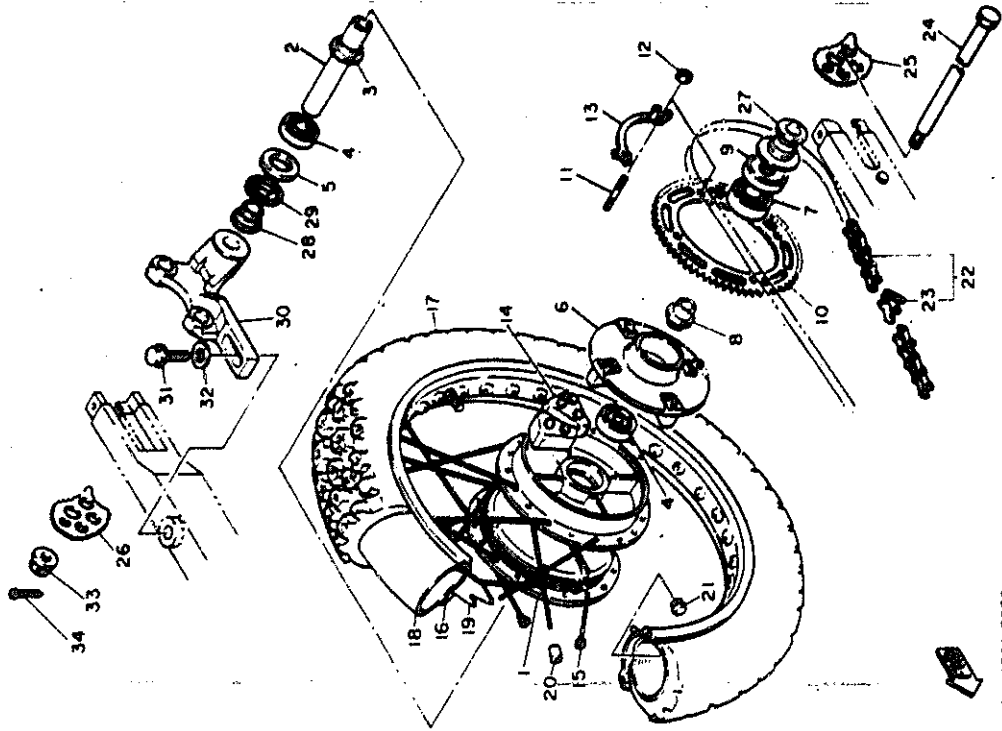
CH/

- Frame
- Fender
- Side Cover
- Rear Arm
- Rear Suspension
- Steering
- Front Fork
- Fuel Tank
- Seat - Carrier

FIG. 36 METER

FIG. 27 REAR WHEEL

REF. NO.	PART NO.	DESCRIPTION	QTY	REMARKS
1	2KF-25311-00-98	HUB, rear	1	LOW GLOSS BLACK
2	90387-173M5	COLLAR	1	
3	1A6-25316-00	FLANGE, spacer	1	
4	93306-20310	BEARING (8620C/DU)	2	
5	93102-25311	OIL SEAL (FPJ 25-44-8 TS)	1	
6	1VJ-25396-00-98	CLUTCH, hub	1	LOW GLOSS BLACK
7	93306-30416	BEARING (8630ARS)	1	
8	1VJ-25377-00	COLLAR, wheel	1	
9	93102-30072	OIL SEAL (SD-30-52-8-1)	1	
10	38F-26440-20-33	SPROCKET, driven (40T)	1	YAMAHA BLACK
11	90116-10048	BOLT, stud	4	
12	90170-10218	NUT	4	
13	5Y1-26412-00	WASHER	2	
14	5Y1-25394-00	DAMPER	4	
15	5Y1-25304-00	SPOKE SET, rear	1	
16	94425-18481	RIM (2.50-18)	1	
17	94112-18670	TIRE (120/80-18 62S GP-1108)	1	UR INKOU
	94146-181N2	TIRE (MCS 4.80 S18 APR TW28)	1	UR BRIDGESTONE
18	94245-18125	TUBE (4.80-18)	1	INKOU
19	94212-18171	TUBE (4.80-18)	1	UR BRILGESTONE
20	94345-18081	BAND, rim (4.80-18)	1	INKOU
21	156-25398-00	BALANCER, wheel	1	UN
22	90480-10088	GROMMET	1	
23	94581-08104	CHAIN (D.I.D 520V6 104LL)	1	
24	94581-08011	JOINT, chain(D.I.D 520V6-FJ)	1	
25	3AJ-25391-00	AXLE, wheel	1	
26	3Y1-25398-01	PULLER, chain 1	1	
27	3Y1-25398-00	PULLER, chain 2	1	
28	1VJ-25383-00	COLLAR, wheel	1	
29	90387-174F0	COLLAR	1	

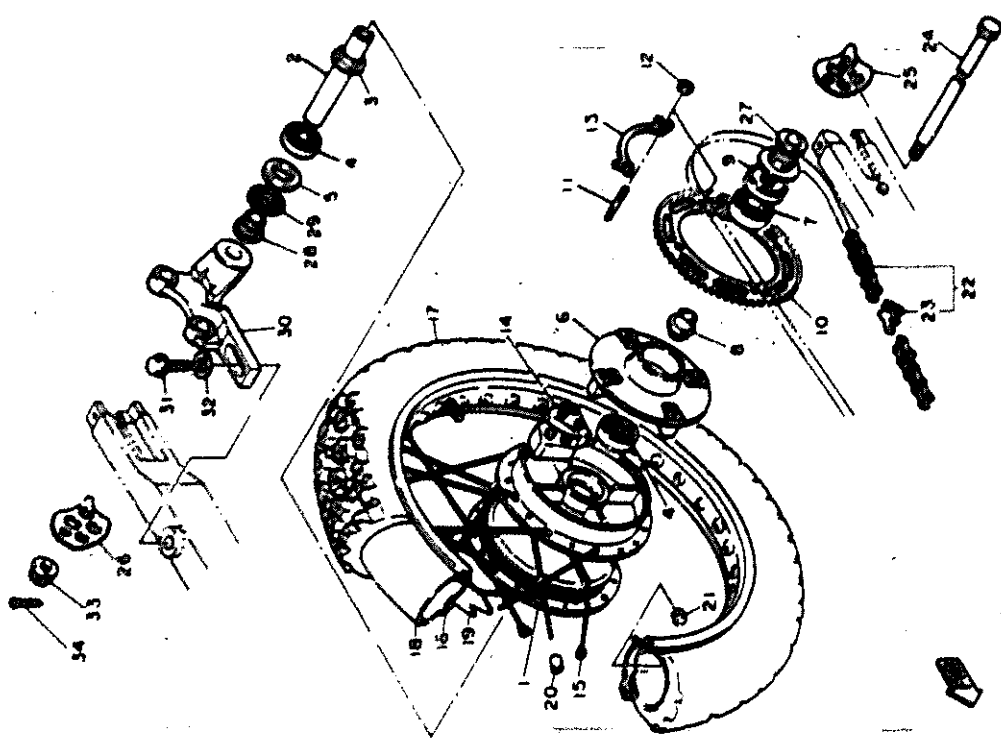


3AJ1351 8270

E2

FIG. 27 REAR WHEEL

REF. NO.	PART NO.	DESCRIPTION	QTY	REMARKS
29	388-3887-00	COVER, hub dust	1	
30	255-38819-00	BRACKET, output	1	
31	91021-10030	BOLT, flange	1	
32	80201-10437	WASHER, plate	1	
33	80171-10034	NUT, castle	1	
34	91481-30630	PHL. center	1	

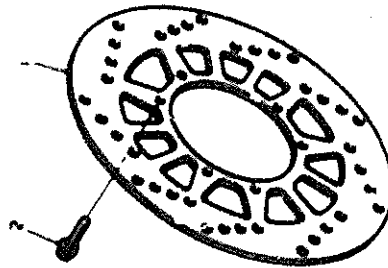
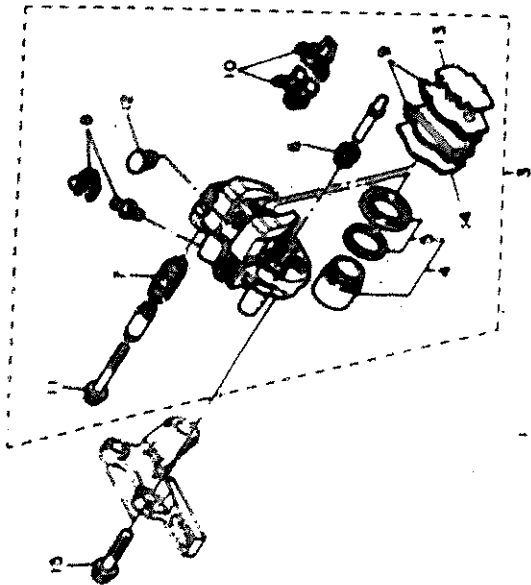


3AU1251 8270

E3

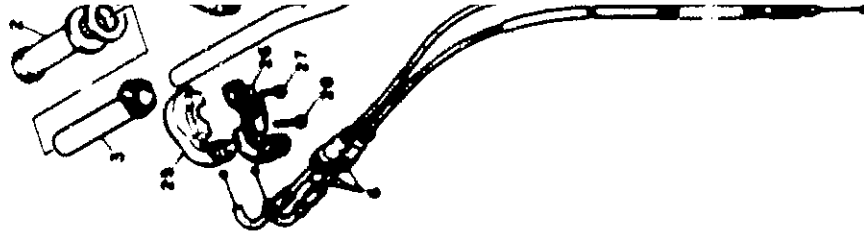
FIG. 2B REAR BRAKE CALIPER

REF. NO.	PART NO.	DESCRIPTION	QTY	REMARKS
1	2E7-2887-00	DISC, brake	1	
2	8N108-00767	BOLT	8	
3	2E7-28910-00	CALIPER ASSY	1	
4	2E7-160087-00	PISTON ASSY, caliper	1	
5	342-160067-00	-CALIPER SEAL KIT	1	
6	5R2-28827-00	-BOOT 2	1	
7	342-28827-00	-BOOT 2	1	
8	511-160048-00	-SPEED SCREW KIT	1	
9	342-160048-01	-BRAKE PAD KIT, rear	1	
10	2E7-28918-00	-SUPPORT, 1, W	2	
11	342-28828-00	-BOLT	1	
12	342-28848-00	-CAP, reflector	1	
13	2E7-28827-00	-SHIM, caliper	1	
14	2E7-28828-00	-SHIM, of hub	1	
15	8N108-10328	BOLT, wet shoe bracket	2	



JWAB 1 700-1230

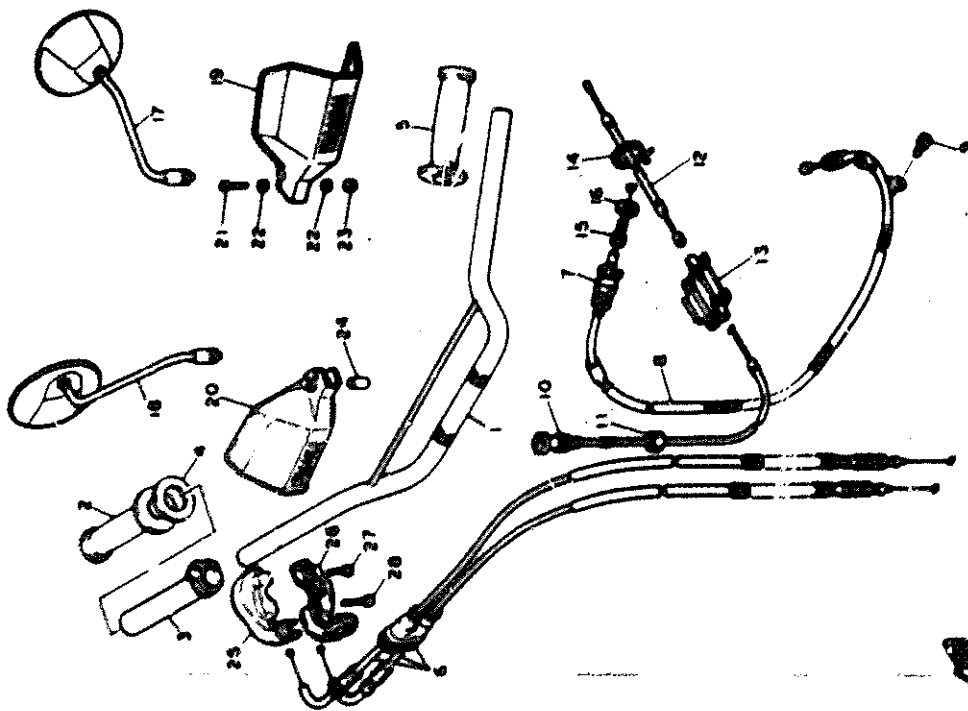
E4



JWAB 1 700-1230

FIG. 29 STEERING HANDLE - CABLE

REF. NO.	PART NO.	DESCRIPTION	QTY	REMARKS
1	3AJ-28111-00	HANDLEBAR	1	
2	1VJ-28243-00	GRIP (R.H.)	1	
3	3Y1-28243-01	TUBE, throttle guide	1	
4	3Y1-28248-00	RING, hub	1	
5	1VJ-28281-00	GRIP (L.H.)	1	
6	1VJ-28282-00	THROTTLE CABLE ASSY	1	
7	168-28343-00	BOOT, cable	1	
8	1VJ-28338-00	CABLE, clutch	1	
9	81316-00010	BOLT	1	
10	3AJ-28331-00	CABLE, starter 1	1	
11	1VJ-28333-00	NUT	1	
12	1JK-28334-00	CABLE, starter 2	1	
13	83L-28381-01	CONNECTOR, cable	1	
14	80484-10038	CLAMP	1	
16	80123-08040	BOLT	1	
18	80178-08148	NUT	1	
17	88V-28280-00	REAR VIEW MIRROR ASSY(LEFT)	1	
18	88V-28280-00	REAR VIEW MIRROR ASSY(RIGHT)	1	
19	1LK-28141-00	GUARD, brush 1	1	UR WHITE
20	1VJ-28141-00	GUARD, brush 1	1	UR FABRIMAY BLUE
20	1LK-28142-00	GUARD, brush 2	1	UR WHITE
20	1VJ-28142-00	GUARD, brush 2	1	UR FABRIMAY BLUE
21	82881-08038	SCREW, pan, head	1	
22	82881-08038	WASHER, plate	2	
23	82303-08190	NUT	1	
24	82887-08060	COLLAR	1	
25	3AK-28281-00	CAP, grip upper	1	
26	1VJ-28282-00	CAP, grip lower	1	



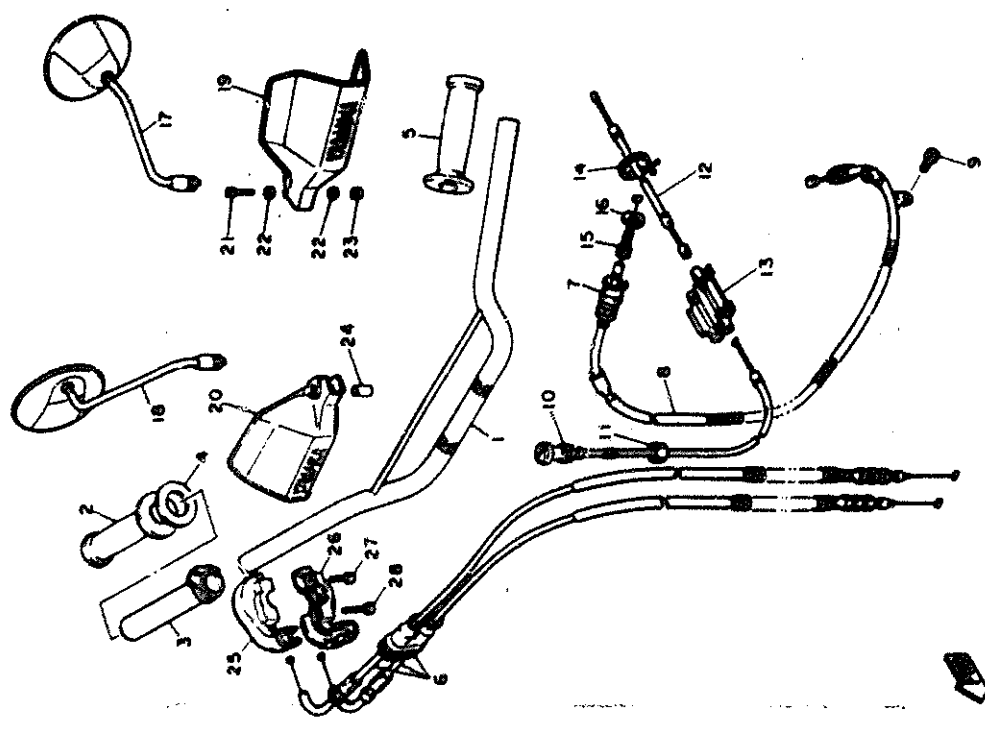
1VJ2800-63780

E5

FIG. 29 STEERING HANDLE • CABLE

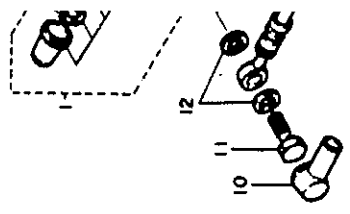
REF. NO.	PART NO.	DESCRIPTION	QTY	REMARKS
----------	----------	-------------	-----	---------

27	98505-06030	SCREW, pan head	1	
28	98505-06025	SCREW, pan head	1	



1VJ000-6390

E0

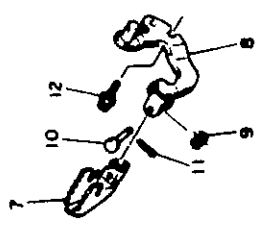
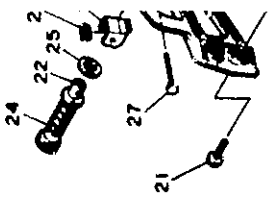
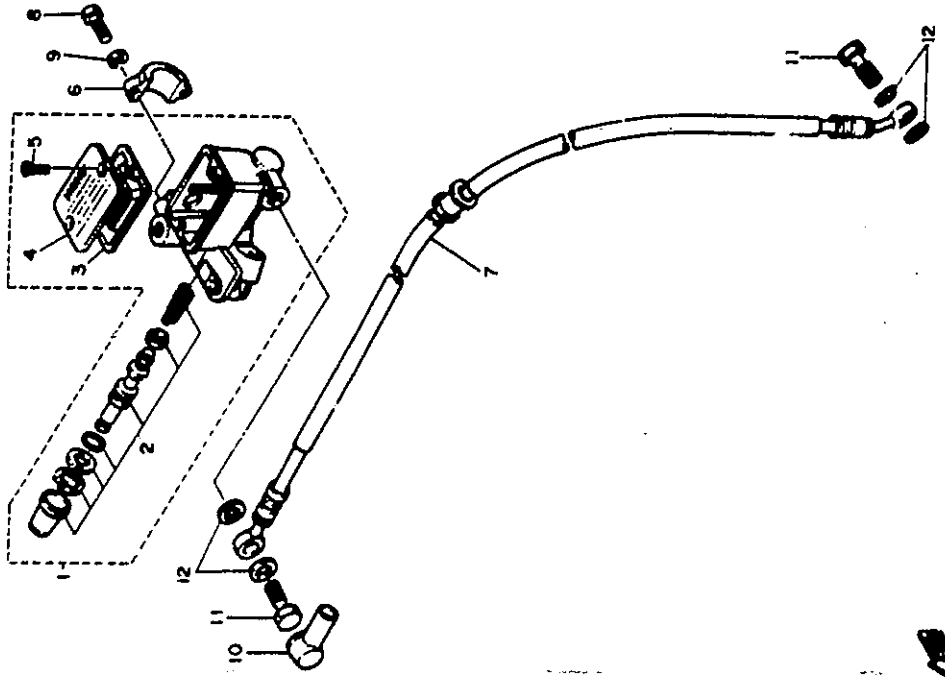


3AJ1551-8300

FIG. 41 ELECTRICAL 2

FIG. 30 FRONT MASTER CYLINDER

REF. NO.	PART NO.	DESCRIPTION	QTY	REMARKS
1	2XF-28880-00	MASTER CYLINDER ASSY	1	
2	80X-W0041-00	-CYLINDER KIT, master	1	
3	56U-28864-00	-DIAPHRAGM, reservoir	1	
4	56U-28863-00	-CAP, reservoir	1	
5	88808-04012	-SCREW, pin head	2	
6	86A-28867-00	BRACKET, master cylinder	1	
7	3AJ-28872-00	HOSE, brake 1	1	
8	87018-08026	BOLT	2	
9	82808-08100	WASHER, spring	2	
10	4LD-28862-00	BOOT, master cylinder	1	
11	80401-10034	BOLT, union	2	
12	80301-10116	WASHER, plate	4	



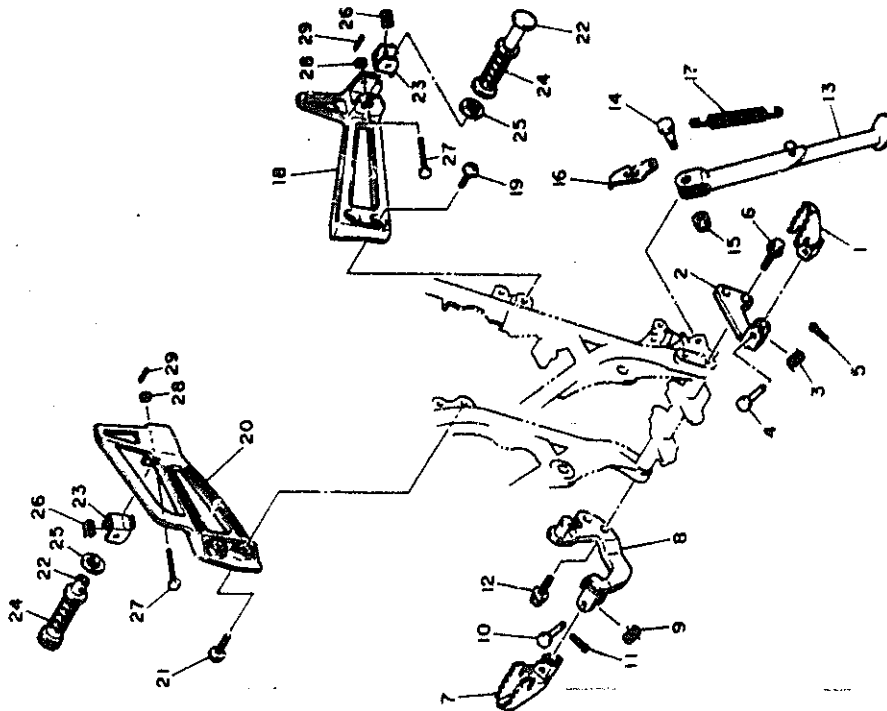
3AJ1351-8310

3AJ1351-8300

E7

FIG. 31 STAND • FOOTREST

REF. NO.	PART NO.	DESCRIPTION	QTY	REMARKS
1	Z2W-27411-01-80	FOOTREST 1	1	UNI CHROME (BLACK) (FOR ELECTRODEPOSIT)
2	34L-27412-00-R4	BRACKET, footrest 1	1	
3	90808-20023	SPRING, torsion	1	
4	91701-08038	PIN, clevis	2	
5	91401-28018	PIN, cotter	1	
6	86821-10026	BOLT, flange	2	
7	Z2W-27421-01-80	FOOTREST 2	1	UNI CHROME (BLACK) (FOR ELECTRODEPOSIT)
8	2KF-27422-00-R4	BRACKET, footrest 2	1	
9	90808-20023	SPRING, torsion	1	
10	91701-08038	PIN, clevis	1	
11	91401-28018	PIN, cotter	1	
12	86821-10026	BOLT, flange	2	
13	3AJ-27311-00-R4	STAND, side	1	BLACK (FOR ELECTRODEPOSIT)
14	90108-124A7	BOLT	1	
15	90186-12119	NUT, self-locking	1	
16	5Y1-27316-00	LINK, side stand	1	
17	90807-32020	SPRING, tension	1	
18	51Y-27411-00	BRACKET 4	1	
19	90108-084E1	BOLT	2	
20	2KF-27421-00	BRACKET 5	1	
21	90108-084E1	BOLT	2	
22	130-27431-00	FOOTREST, rear 1	2	
23	2KF-27437-00	WASHER, special	2	
24	130-27433-00	COVER, rear footrest	2	
25	90201-20278	WASHER, plate	2	
26	90801-16781	SPRING, compression	2	
27	91701-08042	PIN, clevis	2	
28	93301-08270	WASHER, plain	2	



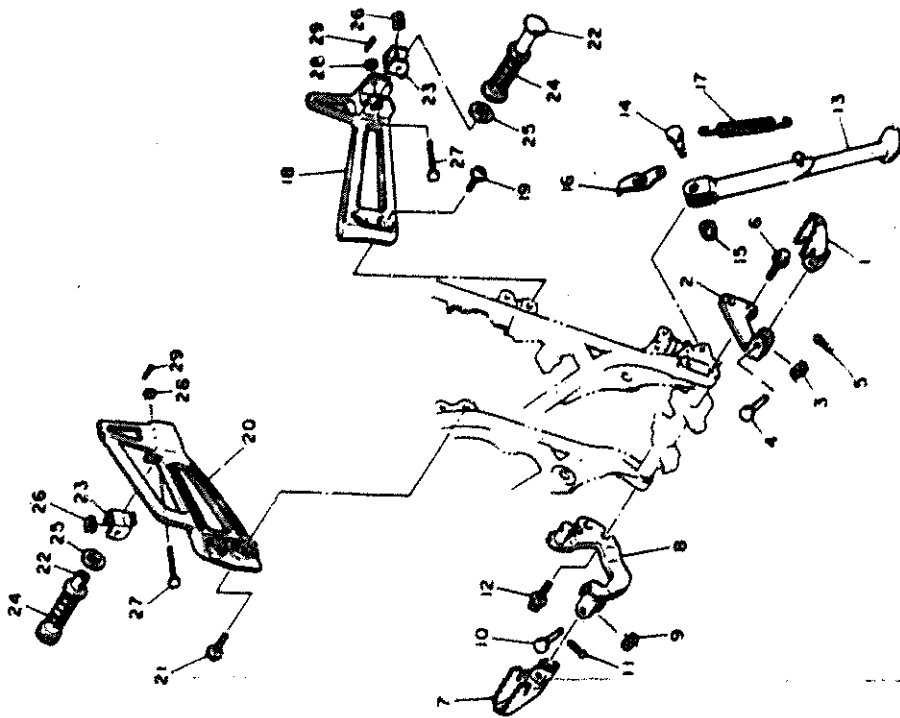
3AJ1351-8310

3AJ1351-8310



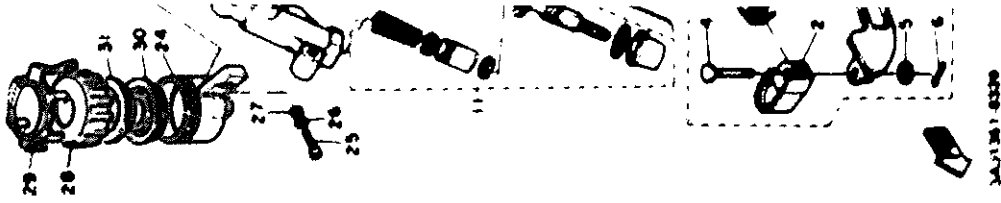
FIG. 31 STAND - FOOTREST

REF. NO.	PART NO.	DESCRIPTION	QTY	REMARKS
20	91-401-30016	FRM. cover	2	



3A11351-0310

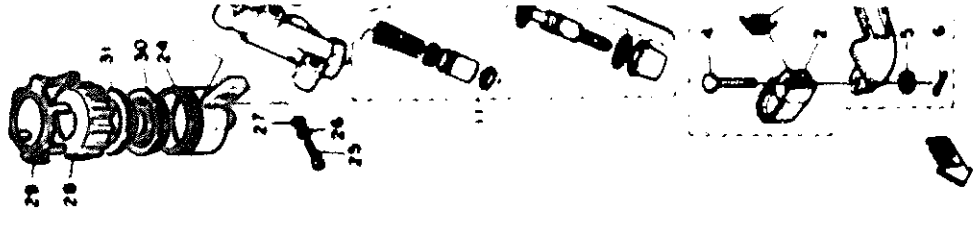
E9



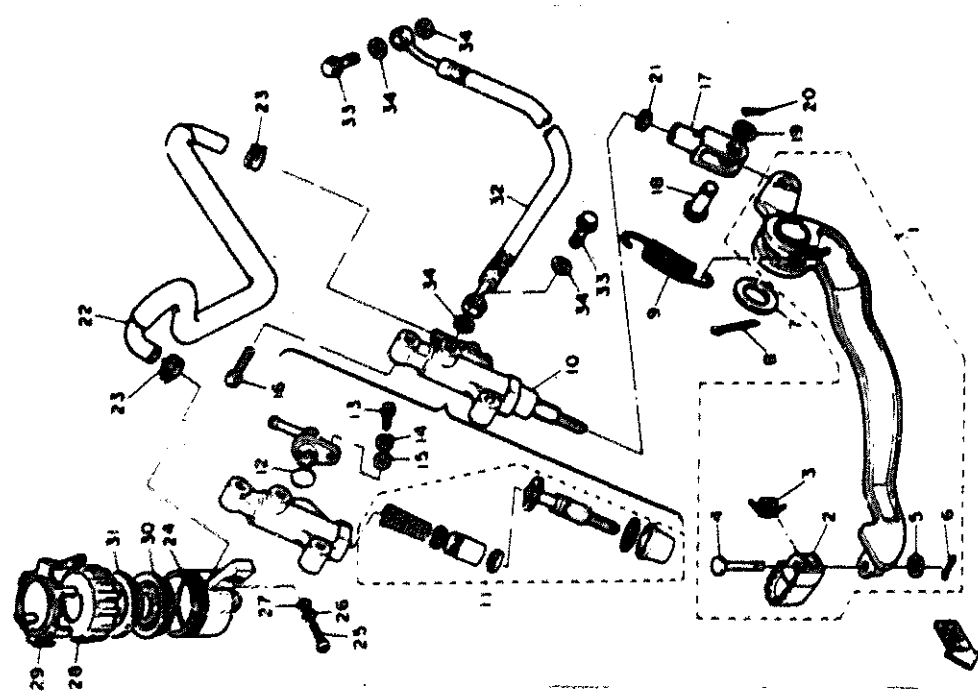
3A11351-0320

FIG. 32 REAR MASTER CYLINDER

REF. NO.	PART NO.	DESCRIPTION	QTY	REMARKS
1	2M1-27200-00-00	PEDAL brake	1	LINE CHROME (BLACK)
2	62V-27242-00	PEDAL brake	1	
3	90008-14352	SPRING, tension	1	
4	91701-08022	PIN, clevis	1	
5	92001-08000	WASHER, plate	1	
6	91401-20015	J.N. collar	1	
7	90001-14215	WASHER, plate	1	
8	91401-20020	PIN, collar	1	
9	90008-18205	SPRING, tension	1	
10	2B1-20000-00	MASTER CYLINDER ASSY	1	
11	2B1-100042-00	CYLINDER BKT, master	1	
12	03210-18220	O-RING	1	
13	90011-04012	SCREW, pan head	1	
14	90002-04100	WASHER, spring	1	
15	92001-04000	WASHER, plate	1	
16	87016-08035	SCREW	2	
17	474-27222-00	J BUSH	1	
18	90240-08013	PIN, clevis	1	
19	90001-08003	WASHER, plate	1	
20	91401-18012	PIN, collar	1	
21	90300-08700	WUT	1	
22	3A1-20005-00	HOSE, reservoir	1	
23	90007-14007	CLIP	2	
24	474-20004-00	TANK, reservoir	1	
25	90001-08020	SCREW, pan head	1	
26	90000-08100	WASHER, spring	1	
27	92001-08000	WASHER, plate	1	
28	2B1-20002-00	CAP, reservoir	1	



3A11351-8320

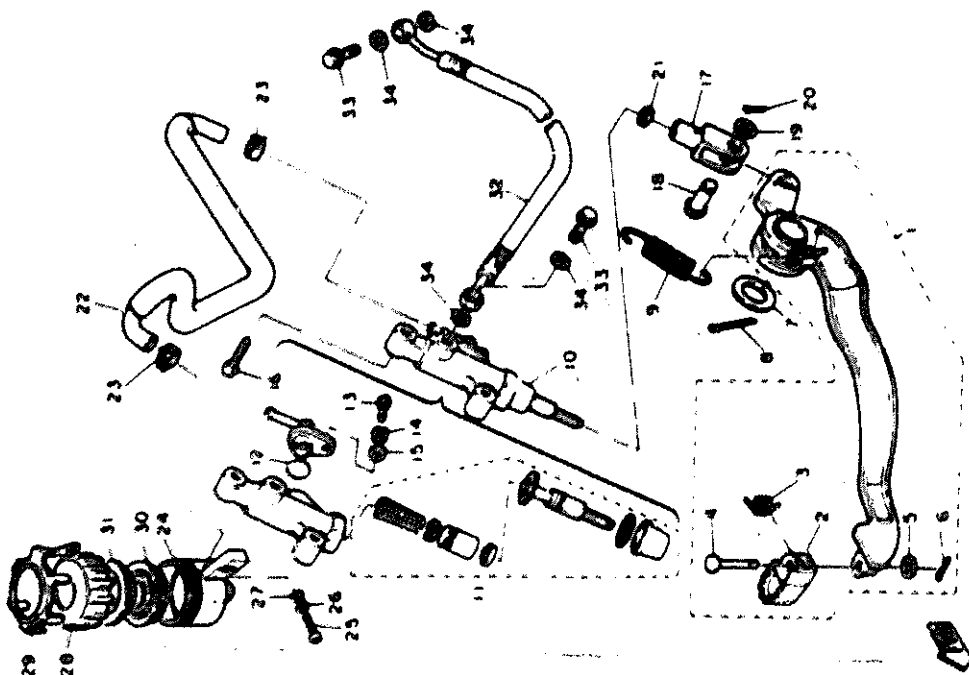


3A11351-8320

E10

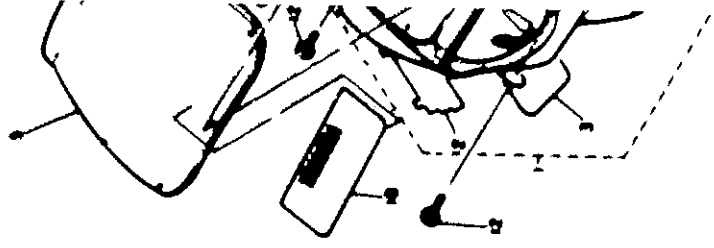
FIG. 32 REAR MASTER CYLINDER

REF. NO.	PART NO.	DESCRIPTION	QTY	REMARKS
29	3AJ-28288-00	COVER, reserve tank	1	
30	300-28284-00	DIAPHRAGM, reserve	1	
31	20U-28285-00	SLUSH, diaphragm	1	
32	3AJ-28273-00	HOSE, brake 2	1	
33	80407-10000	BOLT, union	2	
34	80329-10118	WASHER, plate	4	



3AJ1351-8030

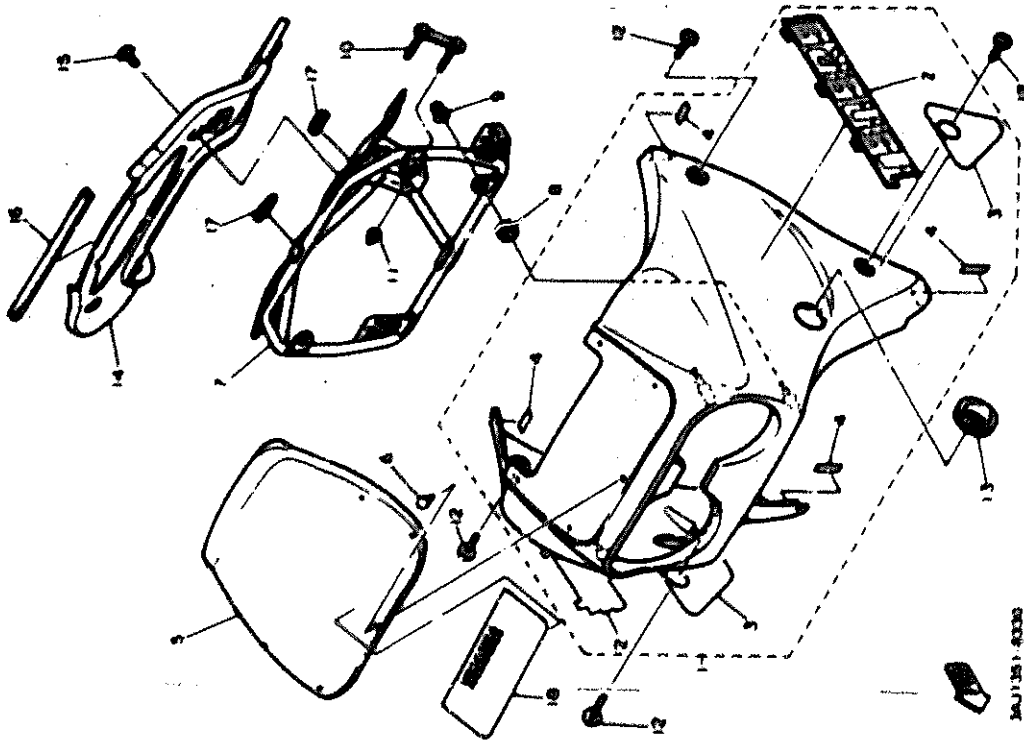
E11



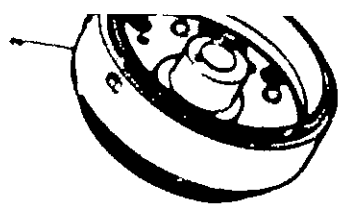
3AJ1351-8030

FIG. 33 COWLING 1

REF. NO.	PART NO.	DESCRIPTION	QTY	REMARKS
1	3AJ-7208-00-35	COWLING ASST	1	UR WHITE
	3AJ-7208-00-NJ	COWLING ASST	1	UR FABARMAY BLUE
2	3AJ-28288-00	EMBLEM	1	UR FOR W
	3AJ-28288-10	EMBLEM	1	UR FOR PWR
3	3AJ-28288-00	GRAPHIC SET, cowling	1	UR FOR W
	3AJ-28288-10	GRAPHIC SET, cowling	1	UR FOR PWR
4	2JL-24141-00	PROTECTOR, fuel tank	1	
5	3AJ-28281-00	WINDSHIELD	4	
6	82288-00000	RVET	1	
7	3AJ-28288-00	STAY 1	6	
8	80485-14328	GROMMET	1	
9	80178-08000	NUT	4	
10	3AJ-28331-00	BOLT, top studs	1	
11	80178-08008	NLT, crown	2	
12	80184-08041	SCREEN, binding	4	
13	80485-30284	GROMMET	2	
14	3AJ-28374-00	PANEL, controls 2	1	
15	80184-08013	SCREEN, binding	4	
16	3AJ-28371-00	DAMPER	1	
17	247-21428-00	PROTECTOR	2	
18	3AJ-28318-00	EMBLEM	2	UR FOR W
	3AJ-28318-10	EMBLEM	2	URFOR PWR



E12

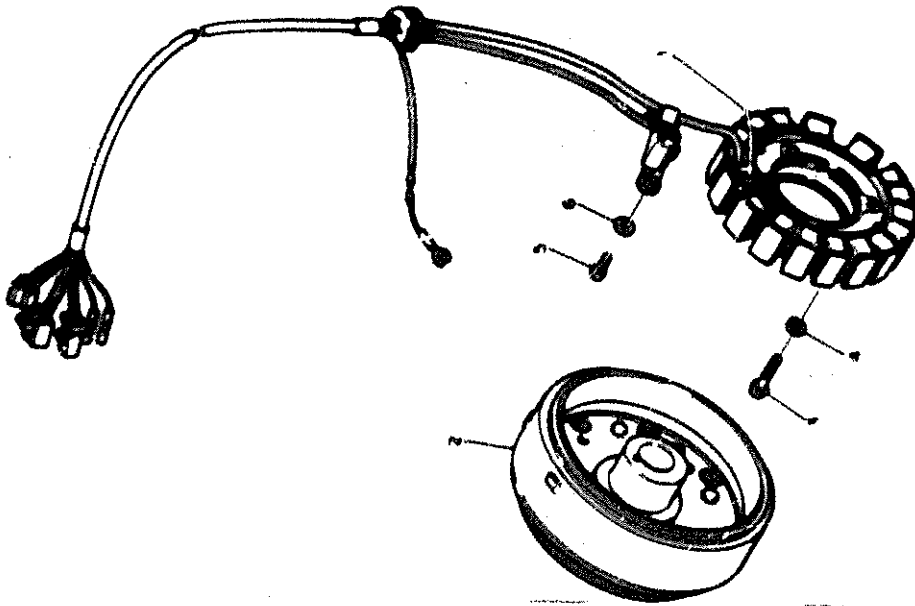


3AJ1281-8330

3AJ1281-8330

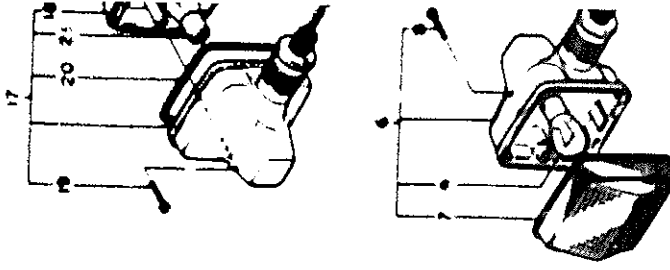
FIG. 34 GENERATOR

REF. NO.	PART NO.	DESCRIPTION	QTY	REMARKS
1	3AJ-08810-00	STATOR ASSY	1	
2	3AJ-17620-00	ROTOR ASSY	1	
3	92001-00008	SCREW, pan head	3	
4	92730-00100	WASHER, spring	3	
5	92001-00000	SCREW, pan head	2	
6	92001-00074	WASHER, plate	2	



3AJ1301-0240

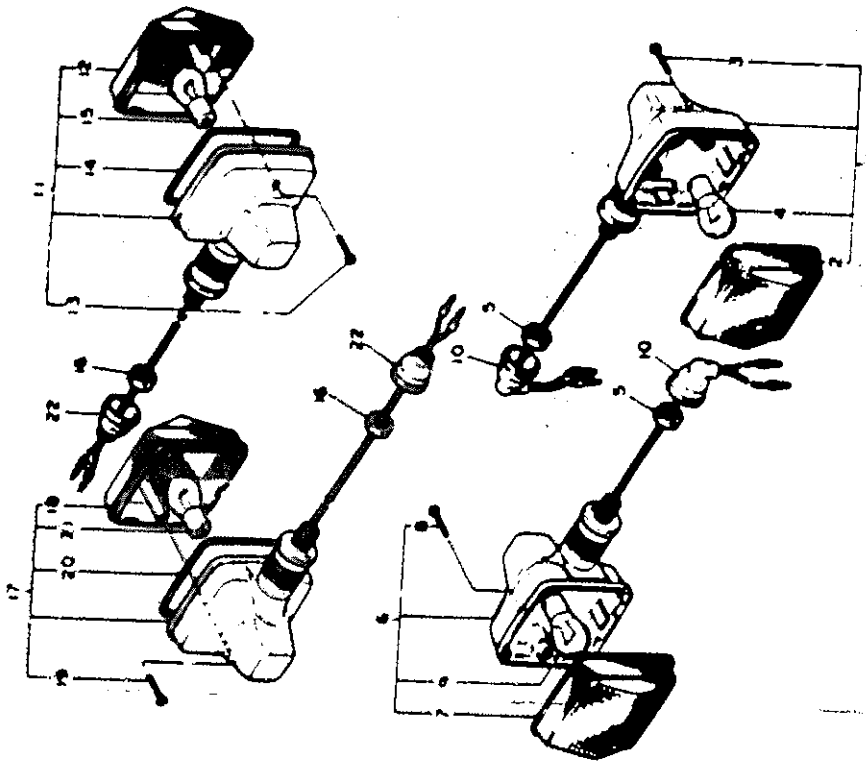
E13



3AJ1301-0240

FIG. 36 FLASHER LIGHT

REF. NO.	PART NO.	DESCRIPTION	QTY	REMARKS
1	3AJ-83310-00	FRONT FLASHER LIGHT ASSY 1	1	
2	47J-83312-00	-LENS, Rubber	1	
3	87768-48839	-SCREW, Wapping	1	
4	308-83311-00	-BULB, Rubber (12V-21W)	1	
5	98391-12700	NUT	1	
6	3AJ-83309-00	FRONT FLASHER LIGHT ASSY 2	2	
7	47J-83323-00	-LENS, Rubber 2	1	
8	87768-48839	-SCREW, Wapping	1	
9	308-83311-00	-BULB, Rubber (12V-21W)	1	
10	188-83308-00	CAP	2	
11	267-83306-10	REAR FLASHER LIGHT ASSY 1	1	
12	267-83332-00	-LENS, Rubber	1	
13	87768-48839	-SCREW, Wapping	1	
14	47J-83313-00	-GASKET, Rubber base	1	
15	308-83311-00	-BULB, Rubber (12V-21W)	1	
16	98391-12700	NUT	1	
17	267-83308-10	REAR FLASHER LIGHT ASSY 2	2	
18	267-83342-00	-LENS, Rubber 2	1	
19	87768-48839	-SCREW, Wapping	1	
20	47J-83313-00	-GASKET, Rubber base	1	
21	308-83311-00	-BULB, Rubber (12V-21W)	1	
22	188-83308-00	CAP	2	



3AJ1361-8380



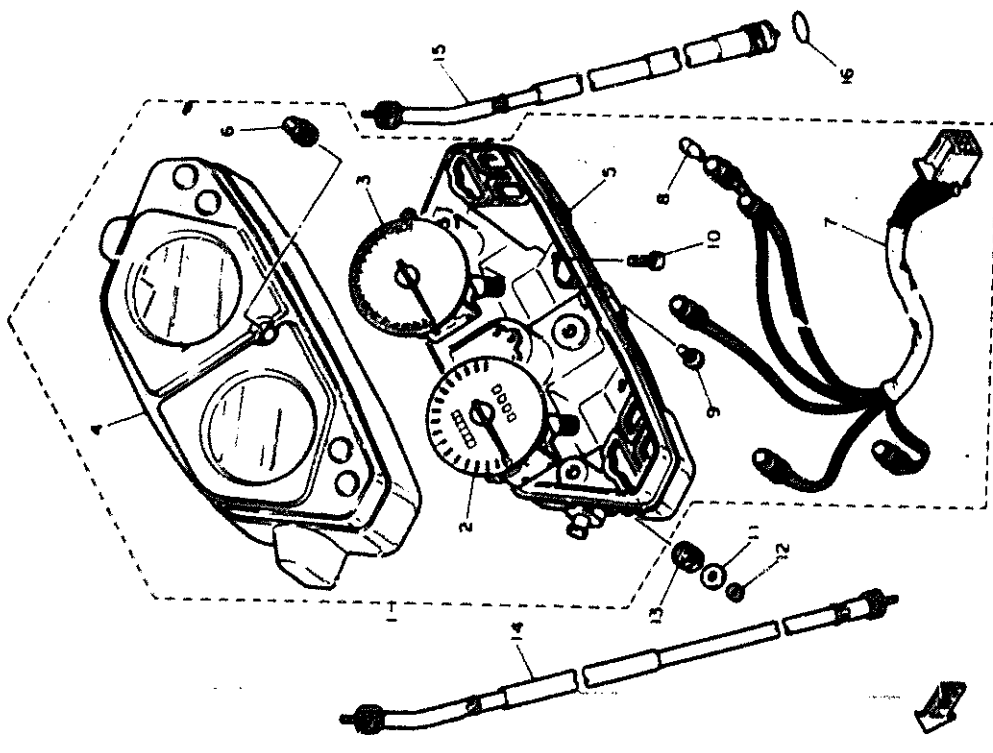
3AJ1361-8380



E14

FIG. 36 METER

REF. NO.	PART NO.	DESCRIPTION	QTY	REMARKS
1	3AJ-83600-00	SPEEDOMETER ASSY	1	
2	3AJ-83670-00	SPEEDOMETER ASSY	1	
3	3AJ-83640-00	TACHOMETER ASSY	1	
4	3AJ-83688-00	COVER, meter	1	
5	3AJ-8363H-00	CASE, inner	1	
6	29L-83678-00	KNOB, trip meter	1	
7	3AJ-83608-00	SOCKET CORD ASSY	1	
8	4G1-84744-00	BULB (12V 3.4W)	5	
9	90164-04006	SCREW, tapping	4	
10	90167-04021	SCREW, tapping	4	
11	90201-39067	WASHER, plate	2	
12	96303-06600	NUT	2	
13	5J0-83613-00	DAMPER	3	
14	3AJ-83660-00	SPEEDOMETER CABLE ASSY	1	
15	3AJ-83660-00	TACHOMETER CABLE ASSY	1	
16	93210-14104	O-RING	1	



3AJ1351-8360

E15

GENERAL SF
EN

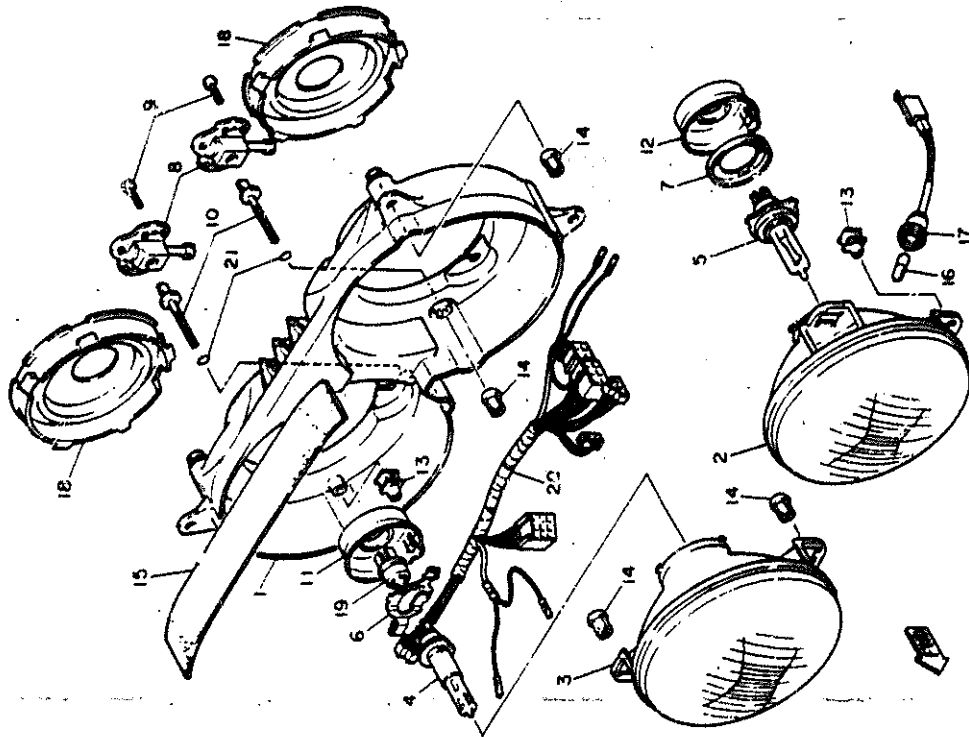
- Cylinder Head
- Cylinder
- Crankshaft - Piston
- Valve
- Camshaft - Chain
- Oil Pump
- Intake
- Carburetor
- Exhaust
- Crankcase
- Crankcase Cover 1
- Starter Clutch
- Clutch
- Transmission
- Shift Cam - Fork
- Shift Shaft

CH

- Frame
- Fender
- Side Cover
- Rear Arm
- Rear Suspension
- Steering
- Front Fork
- Fuel Tank
- Seat - Camer

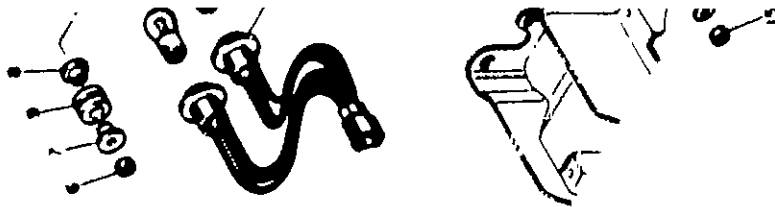
FIG. 37 HEADLIGHT

REF. NO.	PART NO.	DESCRIPTION	QTY	REMARKS
1	2LJ-84330-A0	BODY ASSY	1	
2	2HW-84320-F0	LENS ASSY	1	
3	2LE-8432A-F0	LENS ASSY	1	
4	"	BULB (12V/65W)	1	LM HALOGEN
5	"	BULB (12V/80/65W)	1	LM HALOGEN
6	2LA-84375-00	FITTING PLATE, bulb	1	
7	2F8-84375-00	FITTING PLATE, bulb	1	
8	46X-84304-00	GEAR UNIT ASSY	2	
9	97708-40816	SCREW, tapping	4	
10	2AX-84331-00	SCREW, rim adjusting	2	
11	2GH-84397-00	COVER, socket	1	
12	2F9-84397-01	COVER, socket	1	
13	3AJ-84311-00	HOLDER	1	
14	51L-84332-00	SPRING, screw	2	
15	2GH-84396-00	COVER	4	
16	4E2-84347-00	BULB (12V 4W)	1	
17	2LA-84312-00	SOCKET	1	
18	2LA-84397-00	COVER, socket	2	
19	2LA-84393-00	DAMPER	1	
20	3AJ-84369-00	CORD, headlight	1	
21	93210-09632	O-RING	2	



3AJ1351-8370

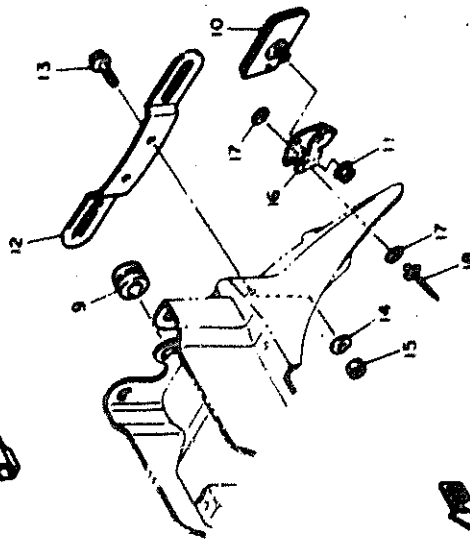
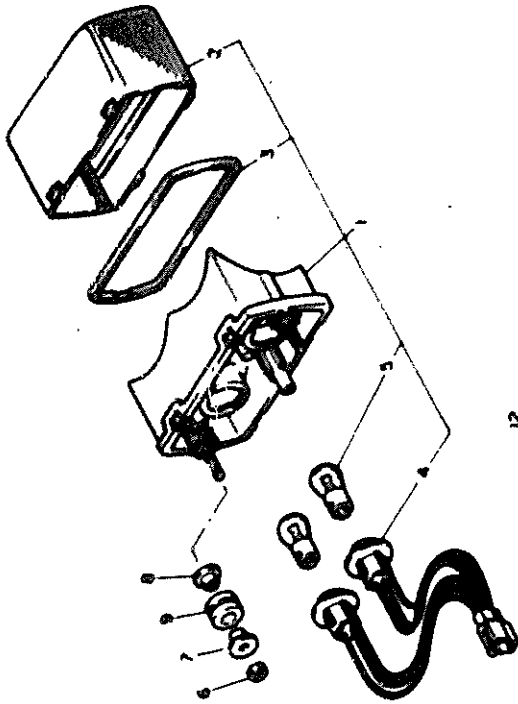
F2



3AJ1351-8380

FIG. 38 TAILLIGHT

REF. NO.	PART NO.	DESCRIPTION	QTY	REMARKS
1	47X-84710-00	TAILLIGHT UNIT ASSY	1	
2	47X-84721-00	LENS, taillight	1	
3	47X-84723-00	GASKET, lens lens	1	
4	47X-84728-00	CORD ASSY	1	
5	31L-84714-00	BULB, taillight (12V-21/BW)	2	
6	50287-05500	NUT	2	
7	50287-07381	COLLAR	2	
8	50287-07788	COLLAR	2	
9	14G-84738-05	DAMPER, tail 1	3	
10	301-88130-01	REAR REFLECTOR ASSY	1	
11	56701-05500	NUT, Range	1	
12	36A-84851-05	BRACKET, license	1	
13	59028-08012	BOLT, Range	2	
14	50201-05087	WASHER, plate	2	
15	50343-05700	NUT	2	
16	33G-85132-00	BRACKET, reflector 1	1	
17	50201-044A2	WASHER, plate	4	
18	50287-40076	SCREW, blind	2	



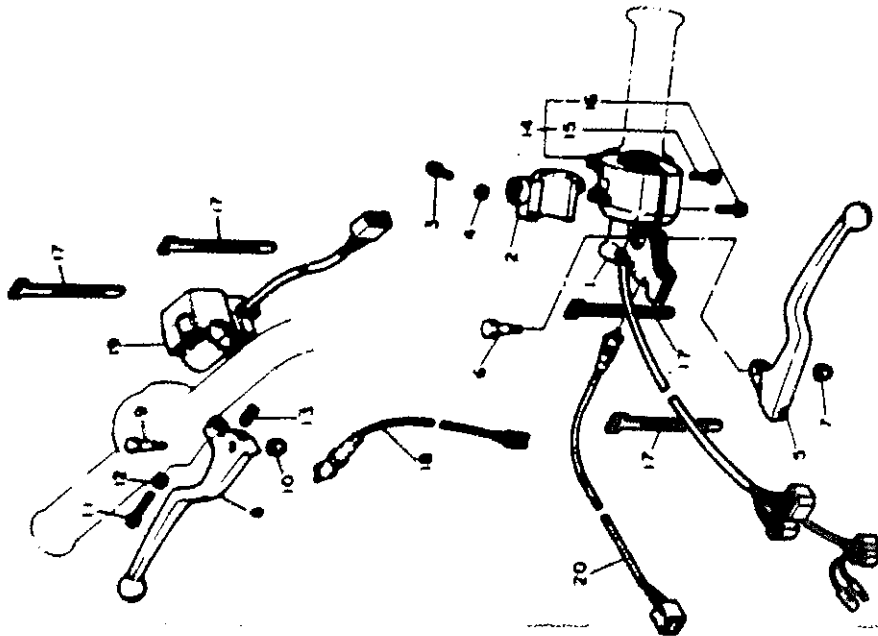
3AJ1351-8380

F3

3AJ1351-8380

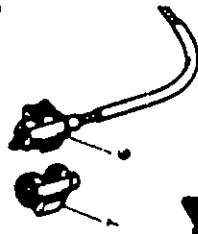
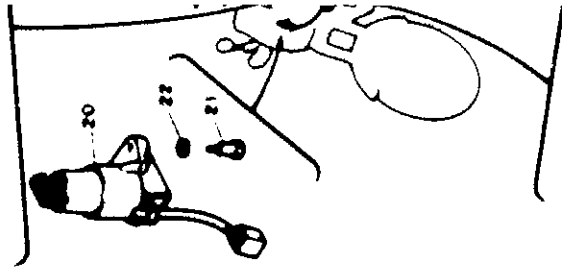
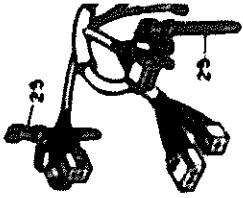
FIG. 38 HANDLE SWITCH - LEVER

REF. NO.	PART NO.	DESCRIPTION	QTY	REMARKS
1	1LH-82811-00	HOLDER, lever 1	1	
2	306-82813-00	HOLDER, lever lever 1	1	
3	88888-88888	SCREW, pan head	2	
4	88888-88148	WASHER/FL spring	2	
5	871-82812-00	LEVER 1	1	
6	88148-88148	BOLT	1	
7	82871-82168	NUT, u	1	
8	18H-82823-01	LEVER 2	1	
9	88148-88174	BOLT	1	
10	88871-88148	NUT, u	1	
11	371Ps 10133	SCREW	1	
12	88176-78159	NUT	1	
13	88881-18812	SPRING, compression	1	
14	3AJ-82873-00	SWITCH, handle 4	1	
15	88888-88888	SCREW, pan head	1	
16	88888-88888	SCREW, pan head	1	
17	437-82888-00	BAND, stretch cord	4	
18	2J2-88888-38	FRONT STOP SWITCH ASBY	1	
19	3AJ-82884-00	SWITCH	1	
20	3Y8-82817-00	SWITCH	1	



3AJ138-1-82888

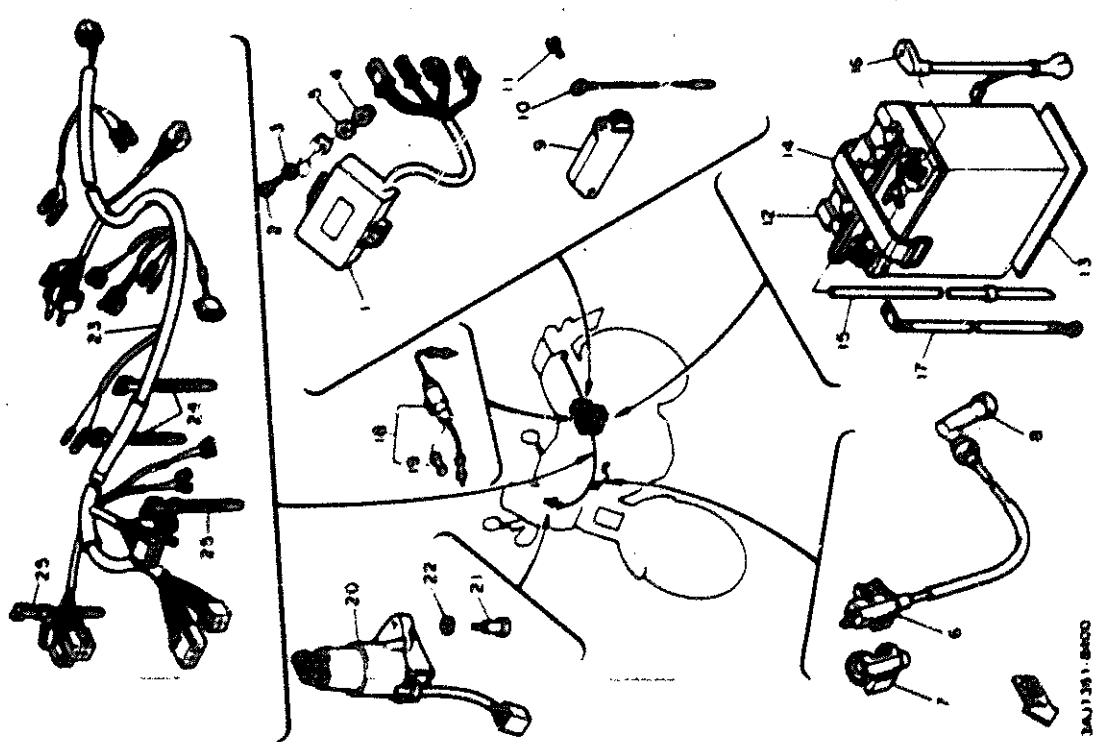
F4



3AJ138-1-82888

FIG. 40 ELECTRICAL 1

REF. NO.	PART NO.	DESCRIPTION	QTY	REMARKS
1	3AJ-88840-00	C.D.I. UNIT ASSY	1	
2	82895-08016	SCREW, pan head	1	
3	82890-08000	WASHER, plate	1	
4	85701-08000	NUT, flange	1	
5	86201-08007	WASHER, plate	1	
6	1VJ-82310-00	IGNITION COIL ASSY	1	
7	1VJ-82317-00	DAMPER, ignition coil	1	
8	371-82370-00	PLUG CAP ASSY	1	
9	474-81960-A1	RECTIFIER & REGULATOR ASSY	1	
10	1VJ-82318-00	WIRE, earth lead	1	
11	82801-08012	SCREW, pan head	2	
12	1VJ-82110-00	BATTERY ASSY (GM12AJ-3A-2)	1	
13	871-82122-00	SEAT, battery	1	
14	168-82131-00	BAND, battery	1	
15	80446-087E1	NOSE	1	
16	1VJ-82115-00	WIRE, plus lead	1	
17	1VJ-82116-00	WIRE, minus lead	1	
18	2UJ-82180-00	FUSE HOLDER ASSY	1	
19	148-82131-00	FUSE (25A)	1	
20	3AJ-82801-00	MAIN SWITCH STEERING LOCK	1	
21	80148-08228	SCREW	2	
22	82890-08000	WASHER, plate	2	
23	3AJ-82800-00	WIRE HARNESS ASSY	1	
24	26G-82803-00	BAND, switch cord	2	
25	12R-82881-00	BAND	2	

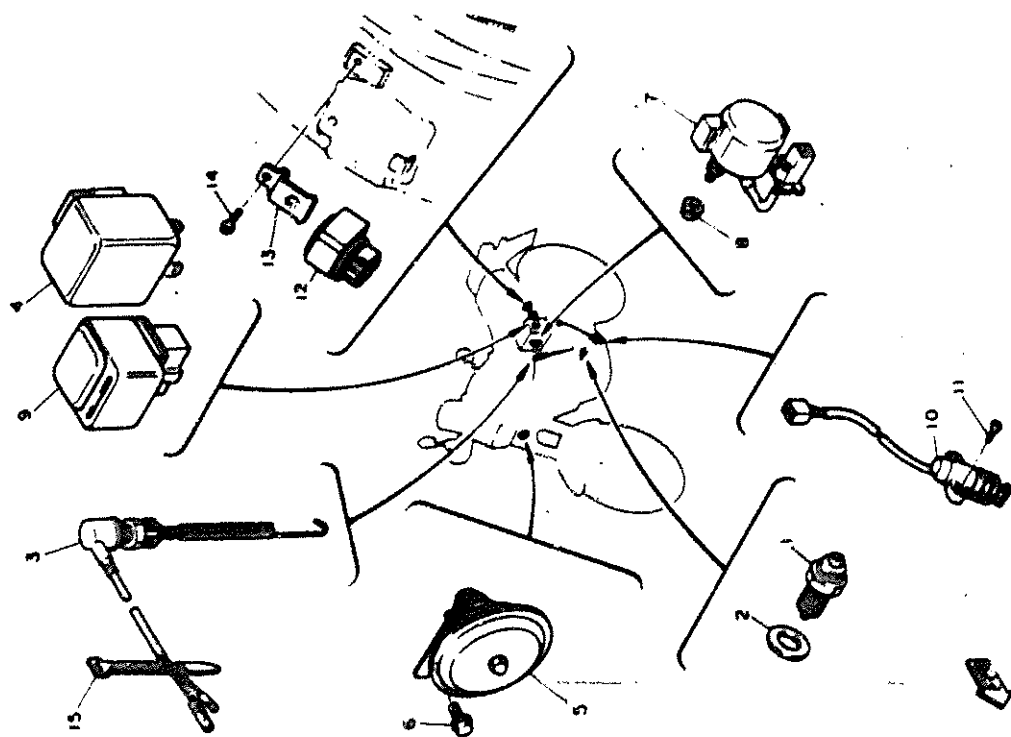


3AJ1351-8000

F6

FIG. 41 ELECTRICAL 2

REF. NO.	PART NO.	DESCRIPTION	QTY	REMARKS
1	341-82540-01	NEUTRAL SWITCH ASSY	1	
2	80430-10027	GASKET	1	
3	34L-82530-00	STOP SWITCH ASSY	1	
4	34L-83360-20	FLASHER RELAY ASSY	1	
5	2LY-83371-00	HORN	1	
6	96023-08010	BOLT, Range	1	
7	23U-81940-00	STARTER SWITCH ASSY	1	
8	88701-08600	NUT, Range	2	
9	12R-81860-01	RELAY ASSY	1	
10	1VJ-82868-00	SWITCH, side stand	1	
11	90182-06021	SCREW, counternut	2	
12	26G-81980-01	RELAY ASSY	1	
13	1VJ-81963-00	STAY, relay	1	
14	97702-80608	SCREW, tapping	1	
15	437-83838-10	BAND, switch cord	1	FOR SEAT FILLER (NH)



3AU1351-84110

F6

FIG. 40 ELECTRICAL (CHASSIS ELECTRICAL)

FOR ENGLAND

The following pages provides a listing of only the parts that meet the specifications peculiar to your market. For those parts not appearing in these pages, refer to the "GENERAL SPEC" section.

F7

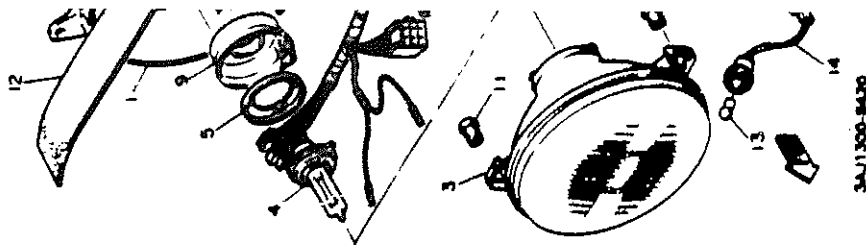
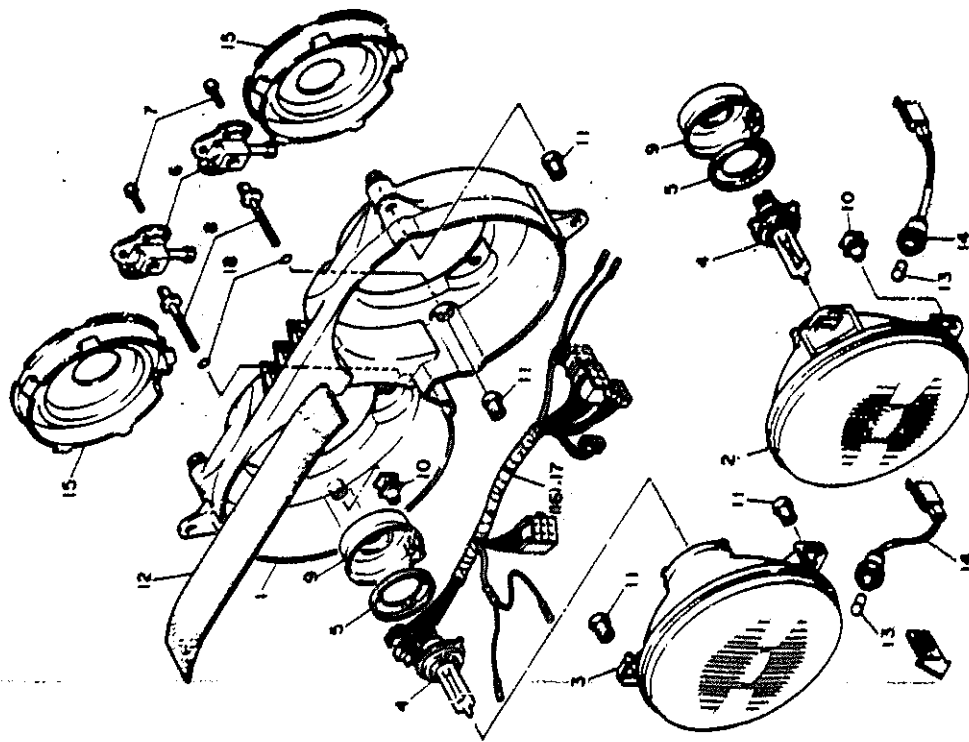


FIG. 42 ALTERNATE (HEADLIGHT)

REF. NO.	PART NO.	DESCRIPTION	QTY	REMARKS
1	2LJ-84330-00	BODY ASSY	1	
2	2P6-84326-00	LENS ASSY	1	
3	2P6-8432A-00	LENS ASSY	1	
4	1PM-84314-00	BULB (12V-36/30W)	2	HALOGEN
5	2P6-84376-00	FITTING PLATE, Bulb	2	
6	603-84306-00	GEAR UNIT ASSY	2	
7	87708-00818	SCREW, locking	4	
8	2AX-84331-00	SCREW, rnr adjusting	2	
9	2P6-84387-01	COVER, socket	2	
10	81L-8431U-00	HOLDER	2	
11	81L-84332-00	SPRING, screw	4	
12	26H-84388-00	COVER	1	
13	123-80816-21	BULB (12V-3.0W)	2	
14	2LA-84312-00	SOCKET	2	
15	2LA-84387-00	COVER, socket	2	
16	3AJ-84388-00	CORD, headlight	6	
17	3AJ-84388-26	CORD, headlight	1	
18	83216-68832	O-RINGS	2	



3AJ1300-8420

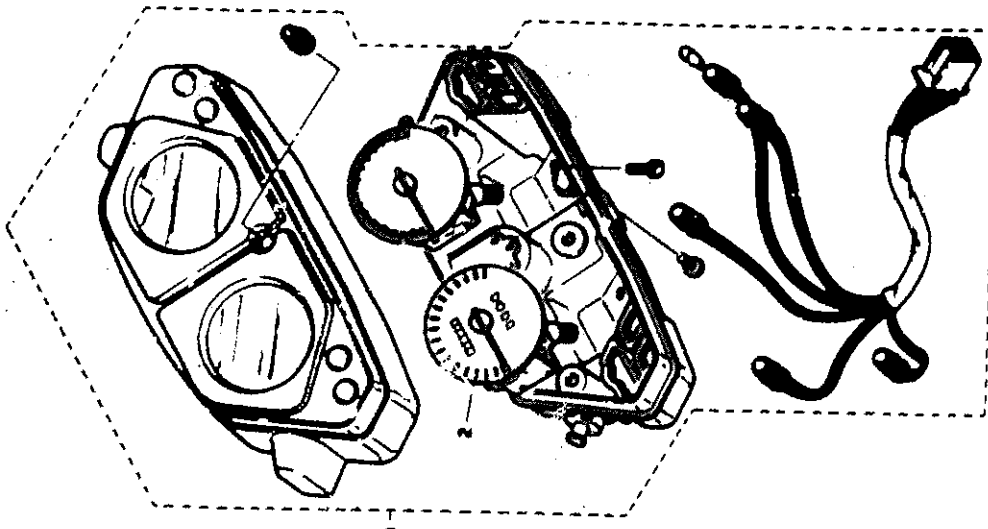
Fe

FIG. 40 ELECTRICAL (CHASSIS, ELECTRICAL)



FIG. 43 ALTERNATE (METER)

REF. NO.	PART NO.	DESCRIPTION	QTY	REMARKS
1	3AJ-825C3-10	METER ASSY	1	high
2	3AJ-82576-10	SPEEDOMETER ASSY	1	high



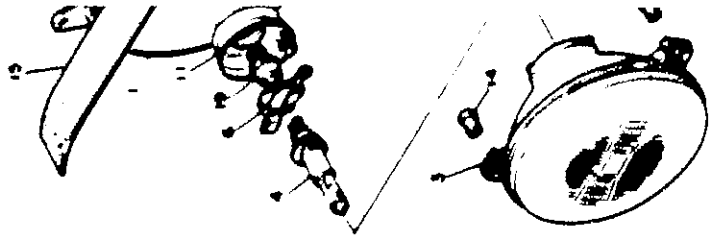
3AJ1300-843D

F9

FOR BELGIUM

The following pages provides a listing of only the parts that meet the specifications peculiar to your market. For those parts not appearing in these pages, refer to the "GENERAL SPEC" section.

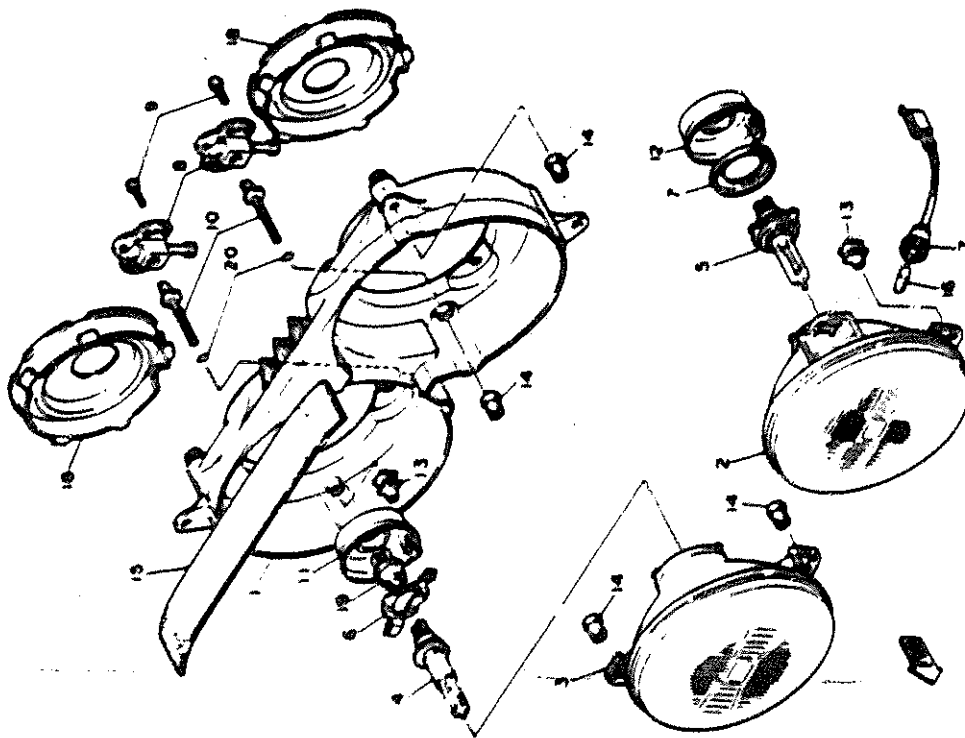
F10



3411288-0000

FIG. 44 ALTERNATE (HEADLIGHT)

REF. NO.	PART NO.	DESCRIPTION	QTY	REMARKS
1	2LJ-84335-00	BODY ASSY	1	
2	3AJ-84330-20	LENS ASSY	1	
3	2LA-84334-00	LENS ASSY	1	
4	"	BULB (12V-85W)	1	LM HALOGEN
5	"	BULB (12V-60/55W)	1	LM HALOGEN
6	2LA-84376-00	FITTING PLATE BUB	1	
7	3FS-84378-00	FITTING PLATE BUB	1	
8	681-84306-00	GEAR UNIT ASSY	2	
9	97708-40010	SCREW, tapping	4	
10	2A1-84331-00	SCREW, non adjusting	2	
11	20H-84387-00	COVER, washer	1	
12	3FS-84387-01	COVER, washer	1	
13	3AJ-84311-00	HOLDER	2	
14	911-84333-00	SPRING, screw	4	
15	20H-84328-00	COVER	1	
16	4E2-84347-00	BULB (12V 40W)	1	
17	2LA-84312-00	SOCKET	1	
18	2LA-84387-00	COVER, washer	2	
19	2LA-84383-00	DAMPER	1	
20	2LA-83110-00632	O-RING	2	



3AJ1300-8440

F11

FOR SWEDEN

The following pages provides a listing of only the parts that meet the specifications peculiar to your market. For those parts not appearing in these pages, refer to the "GENERAL SPEC" section.

F12

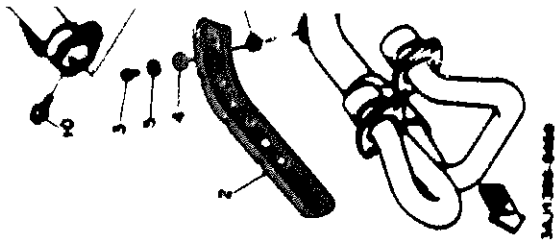
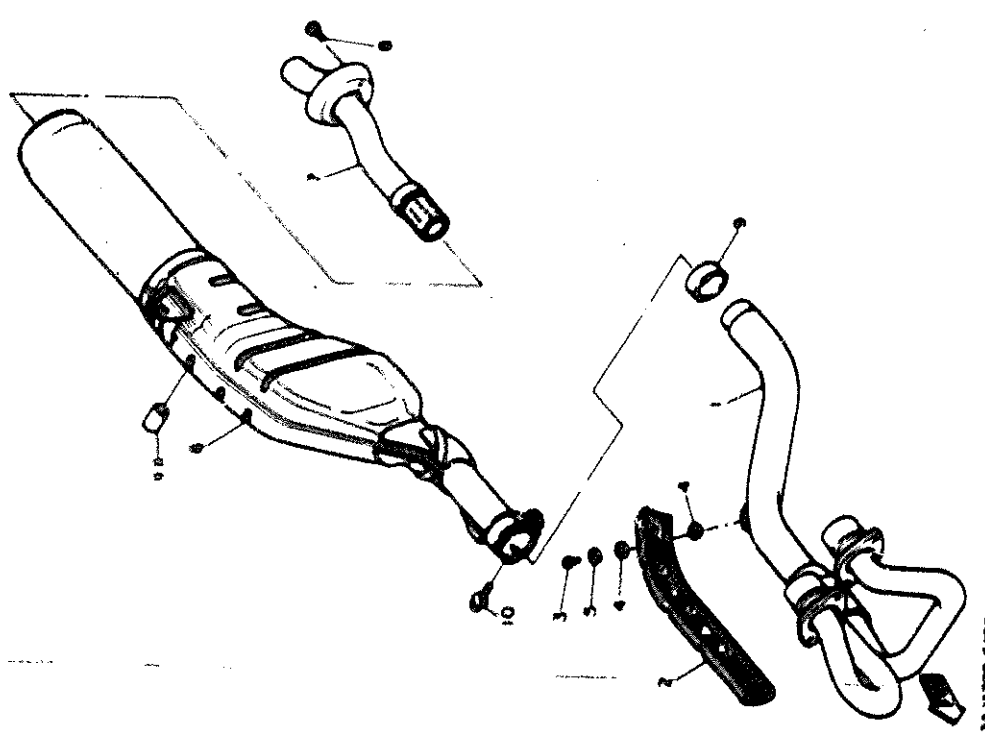


FIG. 45 ALTERNATE (ENGINE)

REF NO.	PART NO.	DESCRIPTION	QTY	REMARKS
1	3AJ-14811-00	PIPE, exhaust 1	1	
2	3AE-14839-01	PROTECTOR, exhaust pipe	1	
3	50164-00017	SCREEN, tapping	2	
4	304-14700-00	WASHER, protector	4	
5	50300-00000	WASHER, wave	2	
6	3AJ-14711-00	MUFFLER 1	1	
7	3AJ-14702-00	PIPE, outlet	1	
8	91316-00012	BOLT	1	
9	3AE 14714-00	GASSET, muffler	1	
10	50816-00040	BOLT, brace	1	
11	3AJ-24181-00	DAMPER, housing 1	1	



F13



FIG. 46 ALTERNATE (CHASSIS, ELECTRICAL)

REF NO.	PART NO.	DESCRIPTION	QTY	REMARKS
1	1VJ-21008-01	BRACKET, lens	1	
2	1VJ-21006-11	BRACKET, lens	1	
3	1VJ-21021-00	FLAP	1	
4	20000-04018	SCREW, pan head	3	
5	20000-04169	WASHER, spring	3	
6	20000-04020	WASHER, plate	3	
7	20700-04000	NUT, flange	3	
8	2LA-84326-46	BODY ASSY	1	
9	3AJ-84329-20	LENS ASSY	1	
10	2LA-84334-00	LENS ASSY	1	
11	6	BULB (12V-60W)	1	LM HALOGEN
12	6	BULB (12V-60/80W)	1	LM HALOGEN
13	2LA-84376-00	FITTING PLATE, hub	1	
14	2P9-84376-00	FITTING PLATE, hub	1	
15	402-84384-00	GEAR UNIT ASSY	2	
16	97700-40816	SCREW, tapping	4	
17	2AJ-84331-00	SCREW, hex self-drilling	2	
18	20H-84387-00	COVER, mesh	1	
19	2P9-84397-01	COVER, mesh	1	
20	3AJ-84374-00	HOLDER	2	
21	51L-84332-00	SPRING, inner	4	
22	20H-84390-00	COVER	1	
23	402-84347-00	BULB (12V 40W)	1	
24	2LA-84312-00	SOCKET	1	
25	2LA-84387-00	COVER, mesh	2	
26	2LA-84388-00	DAMPER	1	
27	90210-00032	O-RING	2	
28	306-00132-00	BRACKET, reflector 1	1	



3AJ1300-0460

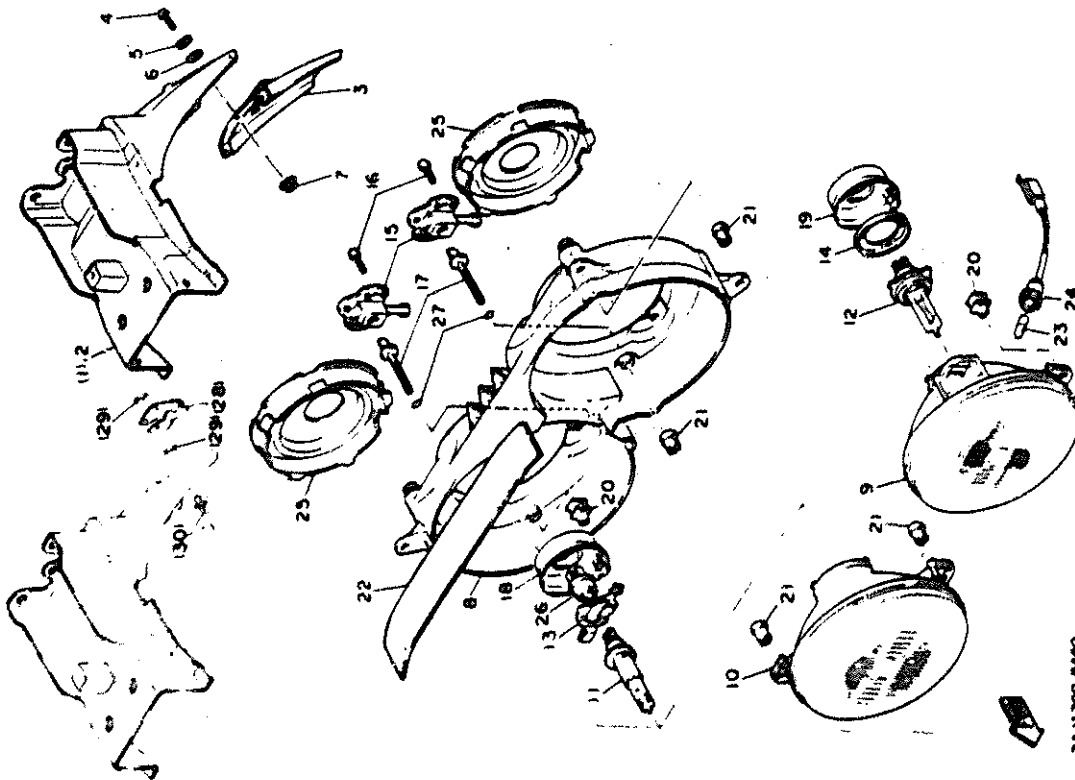
F14

FIG. 52 ALTERNATE (HEAD LIGHT)

3AJ1300-0460

FIG. 46 ALTERNATE (CHASSIS, ELECTRICAL)

REF. NO.	PART NO.	DESCRIPTION	QTY	REMARKS
29	90301-044A2	WASHER, plate	*	
30	90367-40078	RIVET, blind	*	



3AJ1300-8480

F15

GENERAL SF

EN

- Cylinder Head
- Cylinder
- Crankshaft - Piston
- Valve
- Camshaft - Chain
- Oil Pump
- Intake
- Carburetor
- Exhaust
- Crankcase
- Crankcase Cover 1
- Starter Clutch
- Clutch
- Transmission
- Shift Cam - Fork
- Shift Shaft

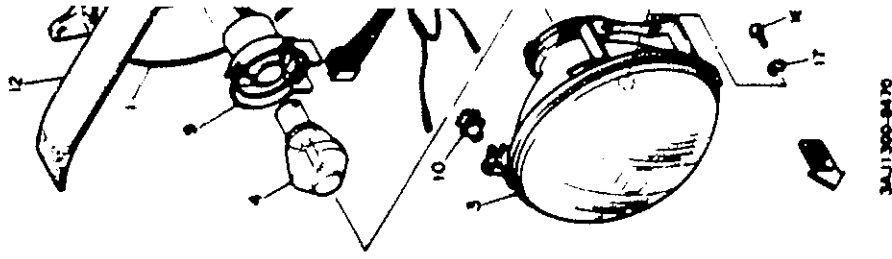
CH

- Frame
- Fender
- Side Cover
- Rear Arm
- Rear Suspension
- Steering
- Front Fork
- Fuel Tank
- Seat - Carrier

FOR ITALY

The following pages provides a listing of only the parts that meet the specifications peculiar to your market. For those parts not appearing in these pages, refer to the "GENERAL SPEC" section.

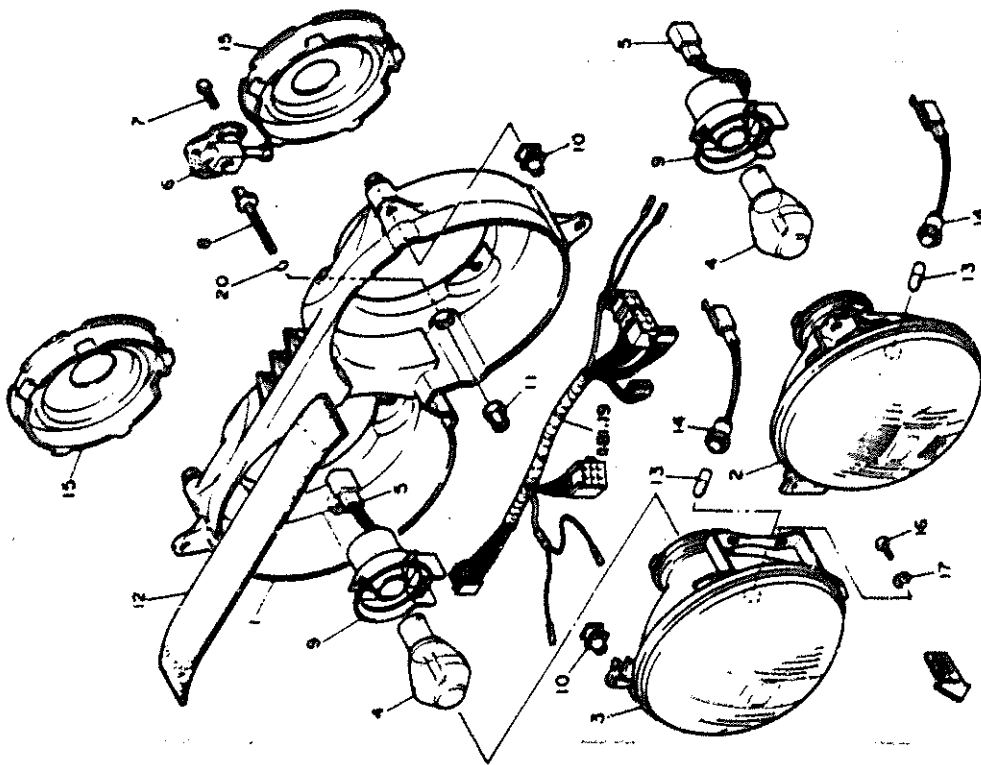
G2



3AJ1300-8470

FIG. 47 ALTERNATE (HEADLIGHT)

REF. NO.	PART NO.	DESCRIPTION	QTY	REMARKS
1	2GM-84330-00	BODY ASSY	1	
2	2GM-84330-00	LENS ASSY	1	
3	2GM-8432A-00	LENS ASSY	1	
4	6	BULB, headlight (12V, 30/30W)	2	LM
5	14A-84112-40	SOCKET	2	
6	42K-84304-00	GEAR UNIT ASSY	1	
7	97708-40816	SCREW, tapping	2	
8	24K-84331-00	SCREW, rim adjusting	1	
9	3Y3-84187-00	COVER, bush	2	
10	51L-84311U-00	HOLDER	2	
11	51L-84332-00	SPRING, screw	1	
12	2GM-84336-00	COVER	1	
13	6	BULB (12V, 30W)	2	LM
14	2LA-84312-00	SOCKET	2	
15	2LA-84387-00	COVER, bush	2	
16	98509-04008	SCREW, pan head	2	
17	92302-04190	WASHER, spring	2	
18	3AJ-84350-00	CORD, headlight	6	
19	3AJ-84358-10	CORD, headlight	1	
20	93210-08832	O-RING	1	



3AJ1300-8470

G3

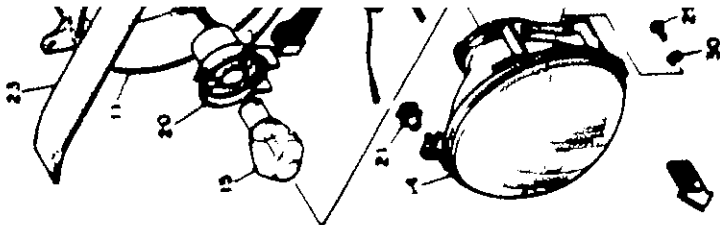
FIG. 53 ALTERNATE (CARBURETOR)

FOR DENMARK

The following pages provides a listing of only the parts that meet the specifications peculiar to your market. For those parts not appearing in these pages, refer to the "GENERAL SPEC" section.



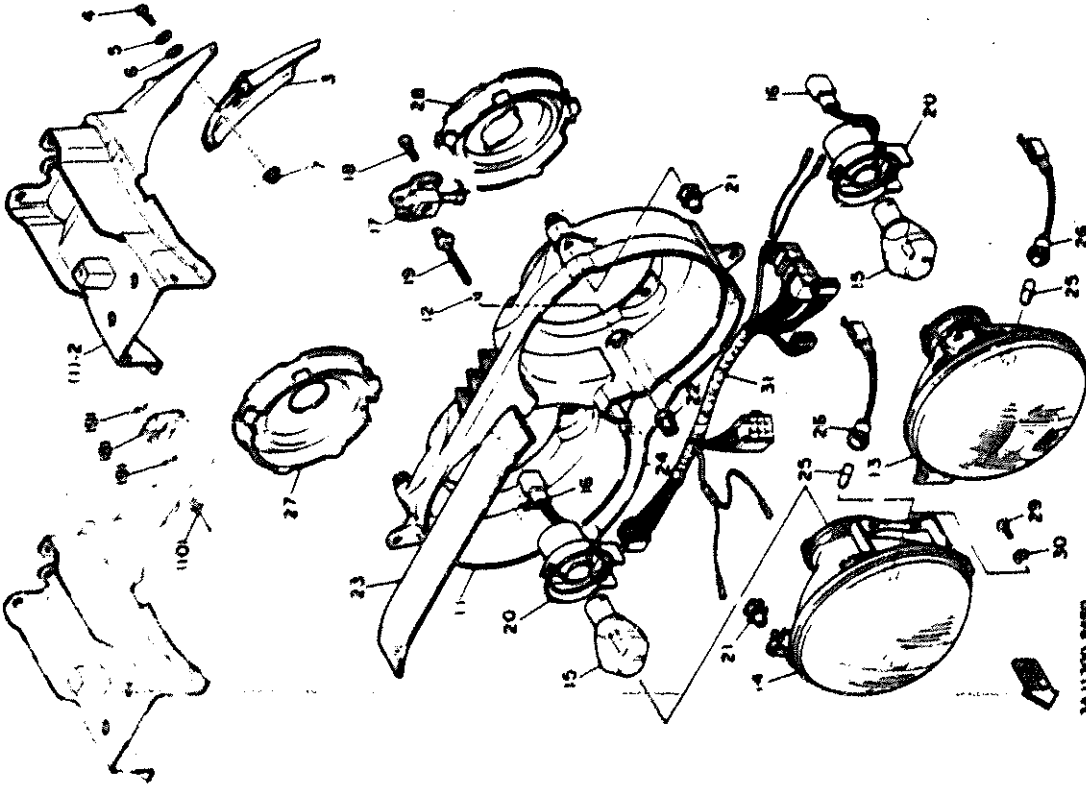
21



34.11.200-3400

FIG. 48 ELECTRICAL (CHASSIS, ELECTRICAL)

REF. NO.	PART NO.	DESCRIPTION	QTY	REMARKS
1	1VJ-21088-01	BRACKET, license	1	
2	1VJ-21088-11	BRACKET, license	1	
3	3AJ-21021-00	FLAP	1	
4	88506-04018	SCREW, pan head	3	
5	82308-04100	WASHER, spring	3	
6	82308-04800	WASHER, plate	3	
7	88703-04800	NUT, flange	3	
8	330-88132-00	BRACKET, reflector 1	1	
9	80301-04442	WASHER, plate	1	
10	80307-40078	RIVET, blind	1	
11	20H-84330-00	BODY ASSY	1	
12	83710-08332	O-RING	1	
13	20H-84320-00	LENS ASSY	1	
14	20H-8432A-00	LENS ASSY	1	
15	*	BULB, headlight (12V-35/38W)	2	LM
16	14A-84112-00	SOCKET	2	
17	48X-84306-00	GEAR UNIT ASSY	1	
18	87708-40816	SCREW, tapping	2	
19	2AX-84331-00	SCREW, rim adjusting	1	
20	373-84187-00	COVER, socket	2	
21	81L-8431U-00	HOLDER	2	
22	81L-84332-00	SPRING, screw	1	
23	20H-84308-00	COVER	1	
24	20H-84308-10	COVER	1	
25	*	BULB	2	LM
26	2LA-84312-00	SOCKET	2	
27	2LA-84387-00	COVER, socket	1	
28	2LA-84387-10	COVER, socket	1	

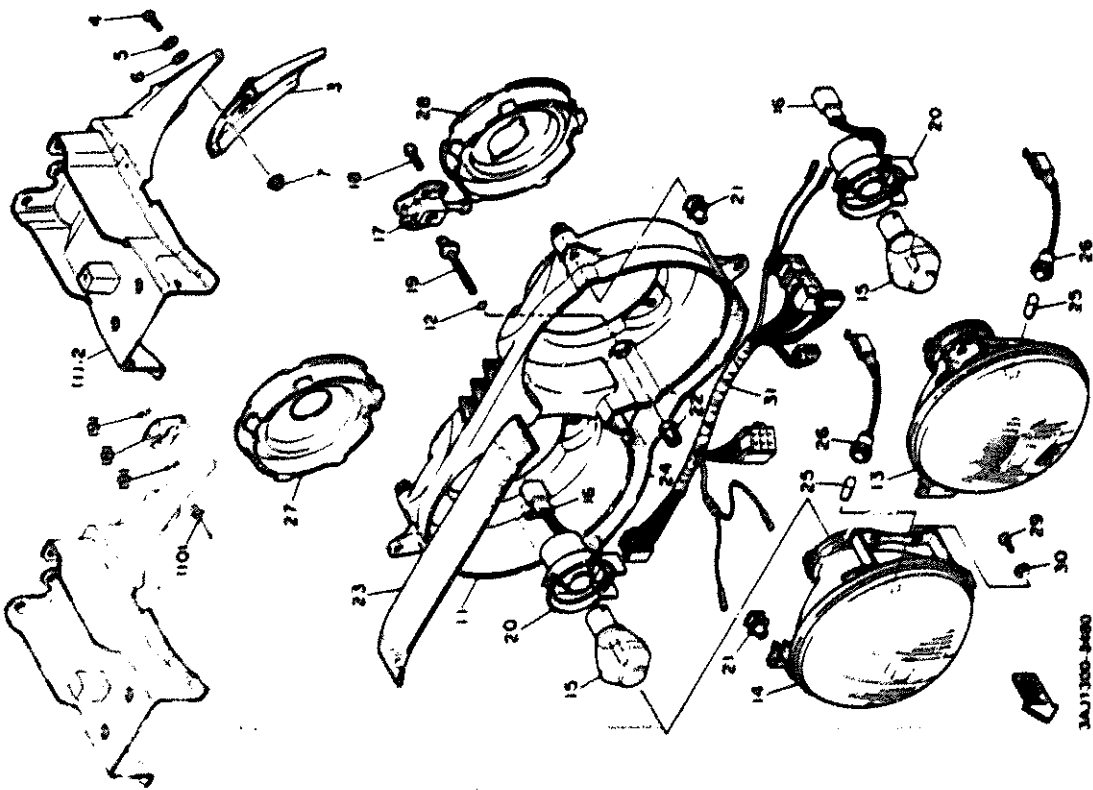


G5

FIG. 28 ALTERNATE (CHASSIS)

FIG. 48 ELECTRICAL (CHASSIS, ELECTRICAL)

REF. NO.	PART NO.	DESCRIPTION	QTY	REMARKS
28	88891-24008	SCREW, pan head	2	
30	82892-04100	WASHER, spring	2	
31	3AJ-84388-10	CORD, headlight	1	
32	61L-84332-00	SPRING, screw	1	



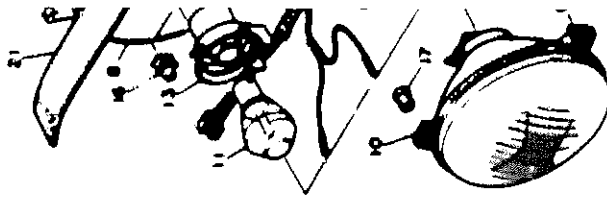
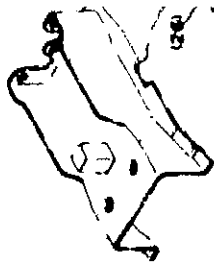
66

FIG. 86 ALTERNATE (CHASSIS, ELECTRICAL)

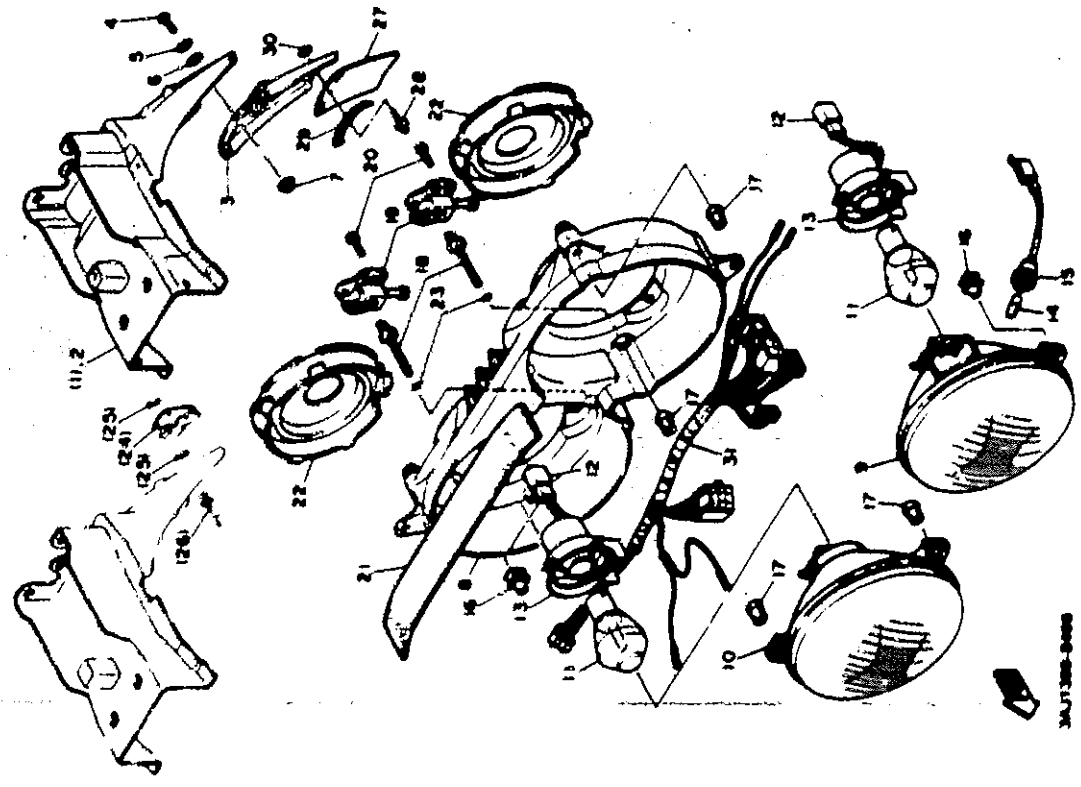
FOR FINLAND

The following pages provides a listing of only the parts that meet the specifications peculiar to your market. For those parts not appearing in these pages, refer to the "GENERAL SPEC" section.

G7



3471 200-0000



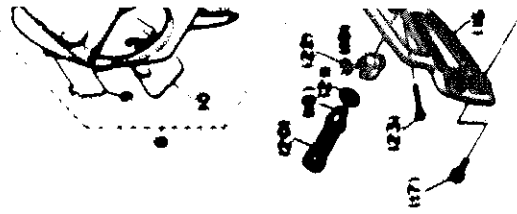
REF. NO.	PART NO.	DESCRIPTION	QTY	REMARKS
1	1VJ-21005-01	BRACKET, base	1	
2	1VJ-21005-11	BRACKET, base	1	
3	3AJ-21021-00	FLAP	1	
4	80000-04018	SCREW, pan head	3	
5	80000-04100	WASHER, spring	3	
6	80000-04000	WASHER, plain	3	
7	80772-04000	NUT, flange	3	
8	2AJ-04000-00	BODY ASSY	1	
9	1AJ-04000-00	LENS ASSY	1	
10	3AJ-04000-00	LENS ASSY	1	
11	0	BULB, headlight (12V-35/30W)	2	LM
12	1AA-04112-00	SOCKET	2	
13	373-04107-00	COVER, metal	2	
14	003-04047-00	BULB (12V 40W)	1	
15	2LA-04012-00	SOCKET	1	
16	1V1-04010-00	HOLDER	2	
17	811-04000-00	SPRING, wire	4	
18	3AJ-04001-00	SCREW, tin coating	2	
19	001-04000-00	GEAR UNIT ASSY	2	
20	87700-00010	SCREW, tapping	4	
21	204-04000-00	COVER	1	
22	2LA-04007-00	COVER, metal	2	
23	80710-00000	O-RING	2	
24	300-00100-00	BRACKET, reference 1	0	
25	80001-04002	WASHER, plain	0	
26	80007-00000	WASHER, plain	0	
27	3AJ-21001-00	FLAP	1	
28	80007-00001	SCREW, metal	3	
29	3AJ-21000-00	BASE, top	1	
30	80001-04000	WASHER, plain	3	
31	3AJ-04000-00	COVER, metal/plastic	1	



3AJ200-0000

FOR NORWAY

The following pages provides a listing of only the parts that meet the specifications peculiar to your market. For those parts not appearing in these pages, refer to the "GENERAL SPEC" section.



3-11-1988-0000

FIG. 80 ELECTRICAL (CHASSIS)

REF. NO.	PART NO.	DESCRIPTION	QTY	REMARKS
1	1UJ-21685-01	BRACKET, base	•	
2	1UJ-21685-11	BRACKET, base	1	
3	1UJ-21681-08	PLAP	1	
4	88888-00916	SCREW, pan head	3	
5	88888-01100	WASHER, spring	3	
6	88888-00000	WASHER, plate	3	
7	83768-00000	NUT, bump	3	
8	3AJ-17888-30-28	SOFT, coating	1	UR 188071
9	3AJ-17888-30-24	SOFT, coating	1	UR PARASIMPLY BLUE
10	3AJ-38914-08	JANULIN	2	UR FOR W
11	3AJ-38914-10	JANULIN	2	UR FOR PMS
12	3AJ-38914-16	JANULIN SET, coating	1	UR FOR W
13	3AJ-38914-18	JANULIN SET, coating	1	UR FOR PMS
14	3AJ-38914-20	PROTECTOR, top end	•	
15	2LR-30141-08	PANEL 1	1	
16	3AJ-38914-08	PANEL 2	1	
17	3AJ-38914-10	BRACKET 4	•	
18	88888-00001	BOLT	•	
19	287-37423-08	BRACKET 5	•	
20	88888-00001	BOLT	•	
21	128-27423-08	POORNESS, rear 1	•	
22	287-37423-08	WASHER, spring	•	
23	128-27423-08	COVER, rear fuselage	•	
24	88888-00070	WASHER, plate	•	
25	88888-10300	SPRINGS, compression	•	
26	81791-00002	REL, plate	•	

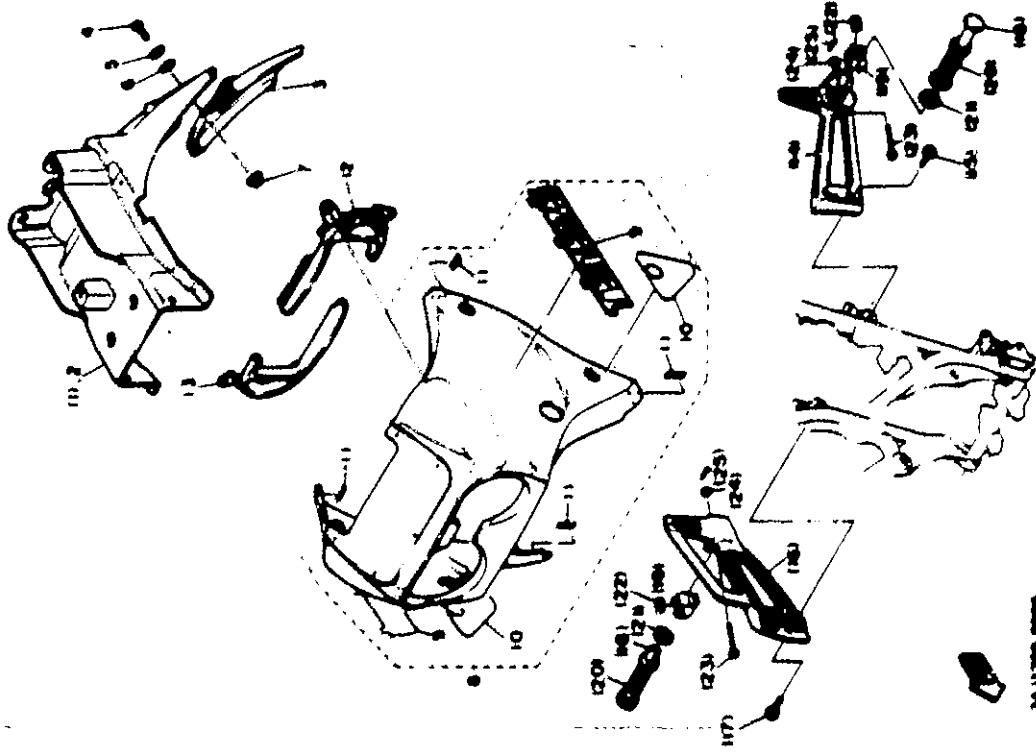
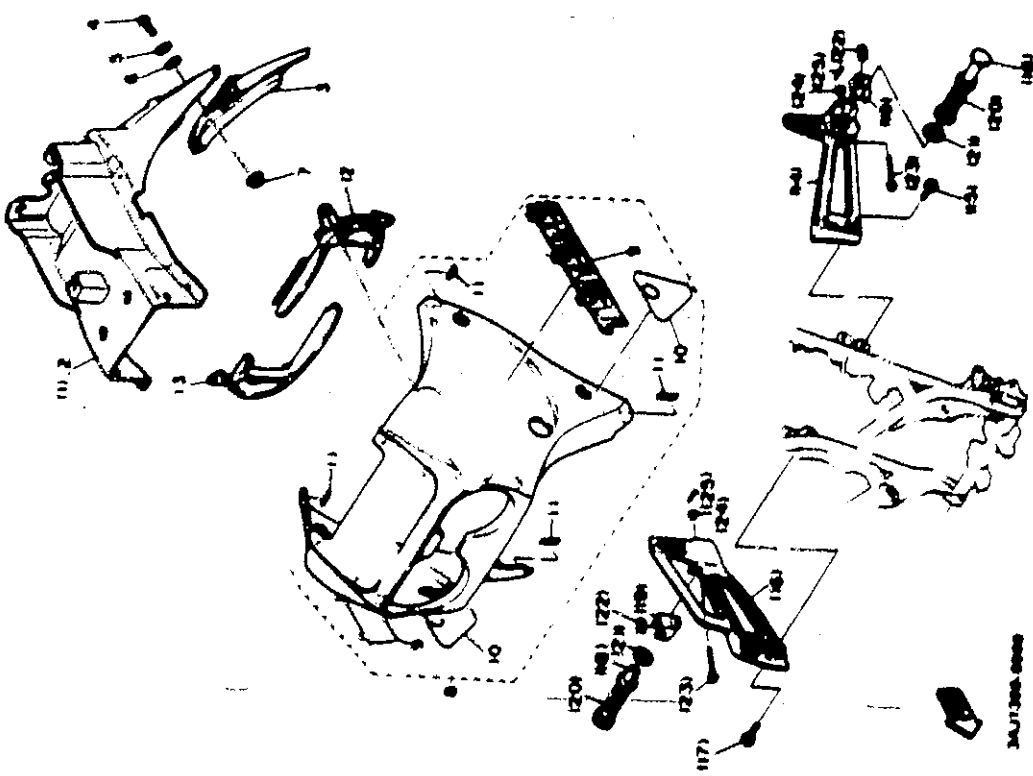


FIG. 80 ELECTRICAL (CHASSIS)

REF. NO.	PART NO.	DESCRIPTION	QTY	REMARKS
24	80011-00200	10A-CHASSIS, plain	•	
25	81401-30012	PKL, 100mm	•	



G11

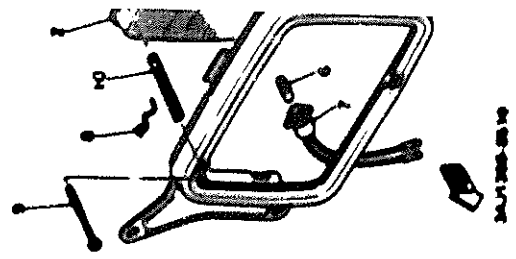
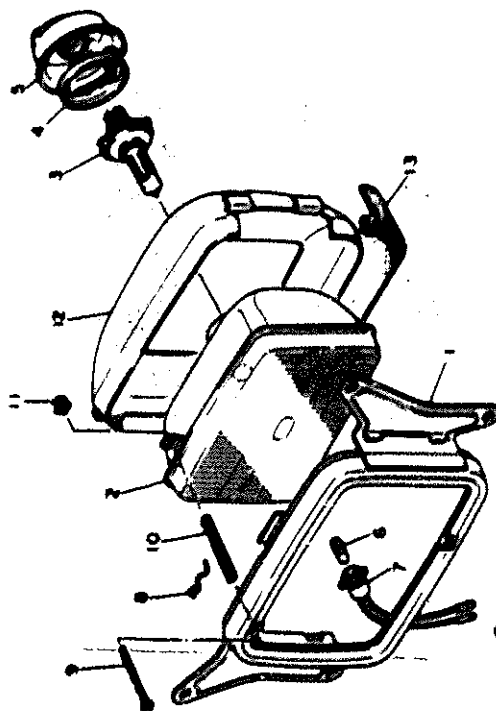
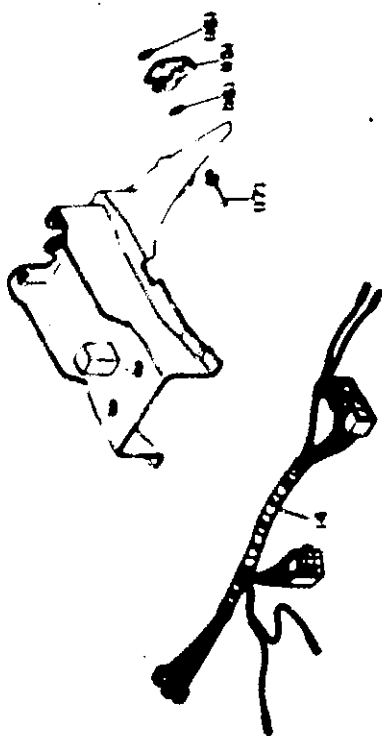


FIG. 51 ALTERNATE(CHASSIS, ELECTRICAL)

REF. NO.	PART NO.	DESCRIPTION	QTY	REMARKS
1	2LF-00316-00	RES. headlight	1	
2	11U-00321-00	LAMP, headlight	1	
3	3P9-00314-00	BULB, headlight (12V-00/500W)	1	
4	3P9-00315-00	FITTING PLATE, bulb	1	
5	3P9-00307-01	COVER, socket	1	
6	003-00307-00	BULB (12V 00W)	1	
7	2LF-00313-00	SOCKET	1	
8	003-00304-00	SPRING, return	1	
9	003-00131-00	SCREW, non adjust	2	
10	003-00305-00	SPRING, main	2	
11	100-00304-00	NUT, spring	2	
12	2LF-00308-00	COVER	1	
13	2LF-00306-00	DAMPER, headlight	1	
14	3AJ-00288-00	COVER, headlight	1	
15	20L-00123-00	BRACKET, reference 1	2	
16	0007-00003	WASHER, plate	2	
17	0007-00000	WASHER, plate	2	



G12

FOR HOLLAND

The following pages provides a listing of only the parts that meet the specifications peculiar to your market. For those parts not appearing in these pages, refer to the "GENERAL SPEC" section.

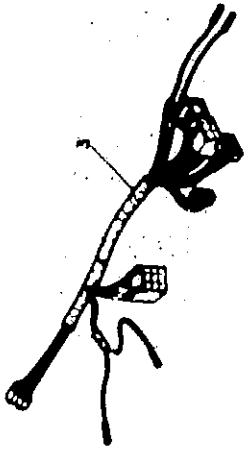
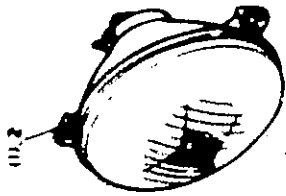
G13



3471308-8830

FIG. 52 ALTERNATE (HEAD LIGHT)

REF. NO.	PART NO.	DESCRIPTION	QTY	REMARKS
1	3AJ-8432A-00	LENS ASSY	1	
2	3AJ-8432A-10	LENS ASSY	1	
3	3AJ-8432B-00	COND. HEADLIGHT	1	



3AJ1300-0030

G14

FOR SWITZER LAND

The following pages provides a listing of only the parts that meet the specifications peculiar to your market. For those parts not appearing in these pages, refer to the "GENERAL SPEC" section.

G15

GENERAL SP EN

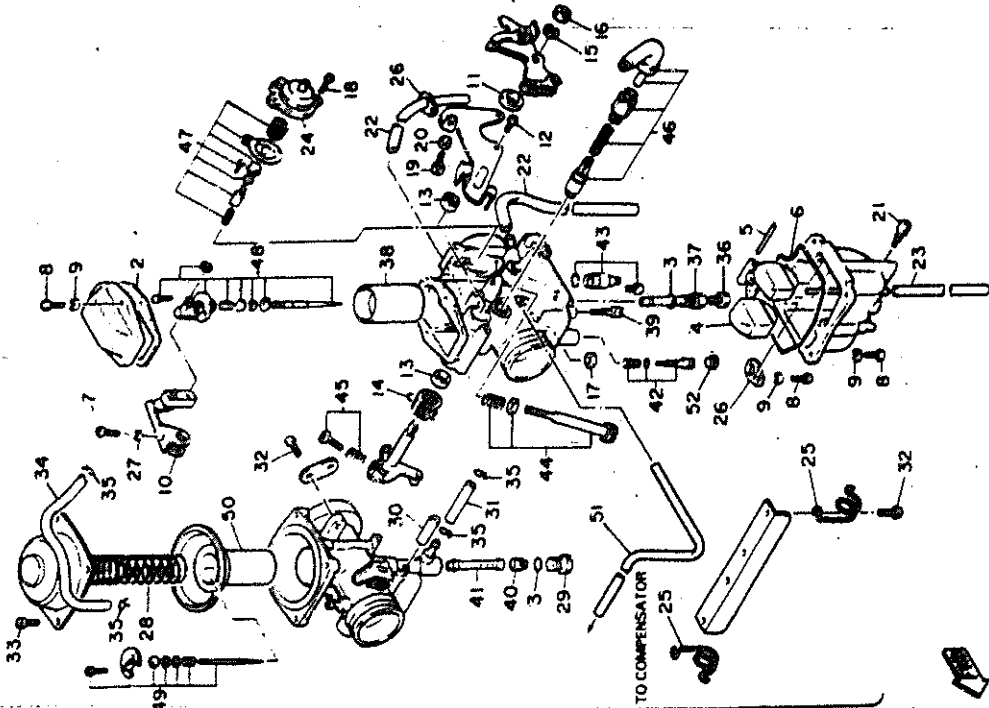
Cylinder Head
Cylinder
Crankshaft - Piston
Valve
Camschaft - Chain
Oil Pump
Intake
Carburetor
Exhaust
Crankcase
Crankcase Cover 1
Starter Clutch
Clutch
Transmission
Shift Cam - Fork
Shift Shaft

CH

Frame
Fender
Side Cover
Rear Arm
Rear Suspension
Steering
Front Fork
Fuel Tank
Seat - Carrier

FIG. 53 ALTERNATE (CARBURETOR)

REF. NO.	PART NO.	DESCRIPTION	QTY	REMARKS
1	3AJ-14301-10	CARBURETOR ASSY 1	*	
2	3DS-14301-00	CARBURETOR ASSY 1	1	
3	5Y1-14198-00	.GASKET	1	
4	360-24512-00	.GASKET	2	
5	2JN-14385-00	.FLOAT	1	
6	6E5-14386-01	.PIN, float	1	
7	5Y1-14384-00	.GASKET, float chamber	1	
8	98580-04018	.SCREW, pan head	1	
9	98503-04014	.SCREW, pan head	6	
10	82912-04100	.WASHER, spring	6	
11	1JK-14291-00	.CONNECTOR COMP	1	
12	1JK-14367-00	.COLLAR	1	
13	5Y1-14325-00	.SCREW, pan head	2	
14	5Y1-14572-00	.SEAL	2	
15	1JK-14131-00	.SPRING, throttle valve	1	
16	5Y1-14368-00	.WASHER, spring	1	
17	5Y1-14358-00	.NUT	1	
18	5Y1-14536-00	.GASKET	1	
19	98580-04010	.SCREW, pan head	2	
20	98580-04020	.SCREW, pan head	1	
21	30X-14359-00	.NUT	1	
22	5Y1-14115-00	.PLUG, screw	1	
23	1VJ-14197-00	.PIPE	2	
24	1JK-14197-00	.PIPE	1	
25	2JN-14293-00	.COVER 1	1	
26	1VJ-14378-00	.COVER, hose	2	
27	42U-14146-00	.PLATE	2	
	82990-04100	.WASHER, spring	1	



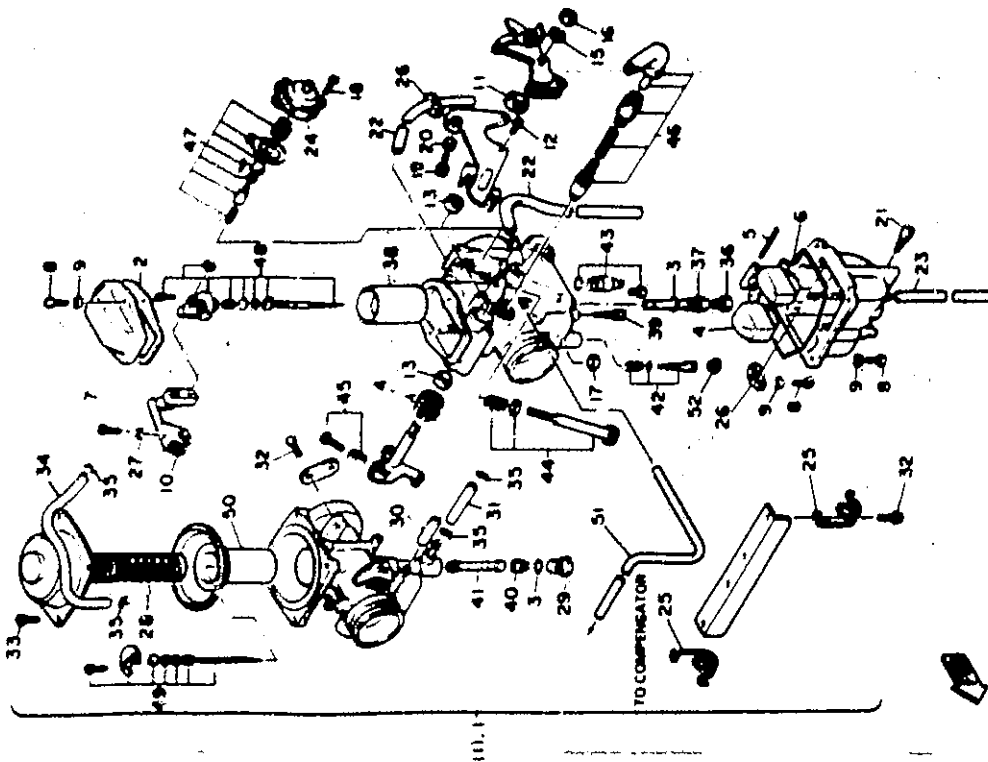
H2

3AJ1300-8530

3AJ1300-8530

FIG. 53 ALTERNATE (CARBURETOR)

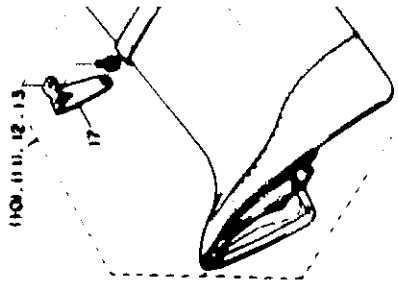
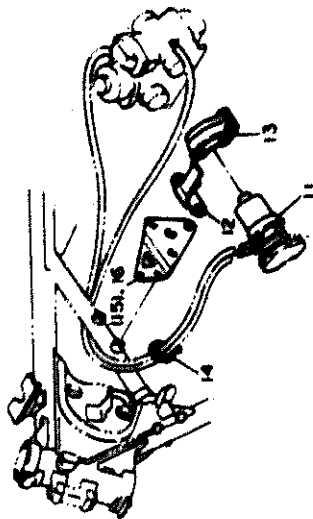
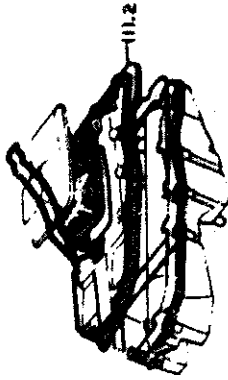
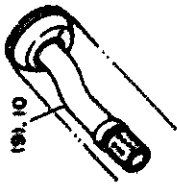
REF. NO.	PART NO.	DESCRIPTION	QTY	REMARKS
28	1JK-14288-00	.SPRING	1	
29	30K-14304-00	.VALVE, main	1	
30	87Y-14348-00	.PIPE	1	
31	30K-14148-00	.PIPE	1	
32	88881-00010	.SCREW, pan head	6	
33	88888-04010	.SCREW, pan head	4	
34	87Y-14108-00	.PIPE	1	
36	87Y-14188-00	.CLIP	4	
38	208-14343-76	.JET, main (9184)	1	UR STD
	208-14343-73	.JET, main (9148)	1	UR
	208-14343-78	.JET, main (9184)	1	UR
37	207-14341-00	.NOZZLE, main	1	
38	13L-14312-86	.VALVE, nozzle 1	1	
39	43F-14342-23	.JET, pilot (944)	1	
40	30K-14343-47	.JET, main (984)	1	
41	207-14388-00	.NOZZLE, main 2	1	
42	29UJ-14108-00	.PILOT SCREW SET	1	
43	2JH-14107-00	.NEEDLE VALVE SET	1	
44	29UJ-1409K-00	.STOP SCREW SET	1	
46	29UJ-14103-00	.THROTTLE SCREW SET	1	
46	1JK-14184-03	.STARTER SET	1	
47	1JK-14084-00	.DIAPHRAGM SET, 1	1	
48	30S-1408J-00	.NEEDLE SET	1	
48	29UJ-1408J-10	.NEEDLE SET	1	
50	1JK-14040-01	.DIAPHRAGM ASSY	1	
51	30S-14348-00	.PIPE	2	
52	29UJ-14087-00	.PLUS	1	



H3

FIG. 54 ALTERNATE (ENGINE)

REF. NO.	PART NO.	DESCRIPTION	QTY	REMARKS
1	3AJ-W1441-00	AIR CLEANER CASE COMP	•	
2	2RW-W1441-00	AIR CLEANER CASE COMP	1	
3	3AJ-14437-00	DUCT	•	
4	2RW-14437-00	DUCT	1	
5	3AJ-14412-00	CAP, cleaner case 1	•	
6	2RW-14412-00	CAP, cleaner case 1	1	
7	97708-90820	SCREEN, tapping	3	
8	92908-08800	WASHER, plate	3	
9	3AJ-14782-00	PIPE, outlet	•	
10	2RW-14782-00	PIPE, outlet	1	
11	2WJ-14303-00	COMPENSATOR ASSY	1	
12	3DS-14411-00	PANEL	1	
13	2WJ-14448-01	GROMMET	1	
14	90984-16009	CLAMP	1	
15	3AL-21315-00	STAY, engine 2	•	
16	3DS-21315-00	STAY, engine 2	1	

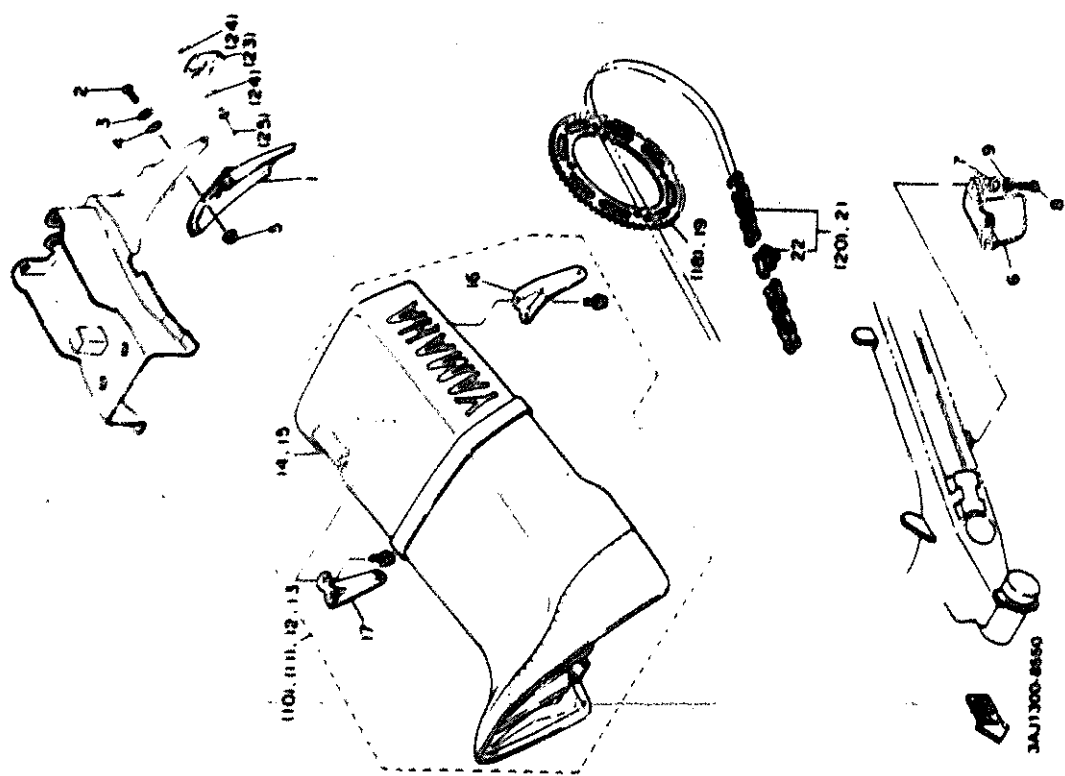


H4

3AJ1308-8640

FIG. 55 ALTERNATE (CHASSIS)

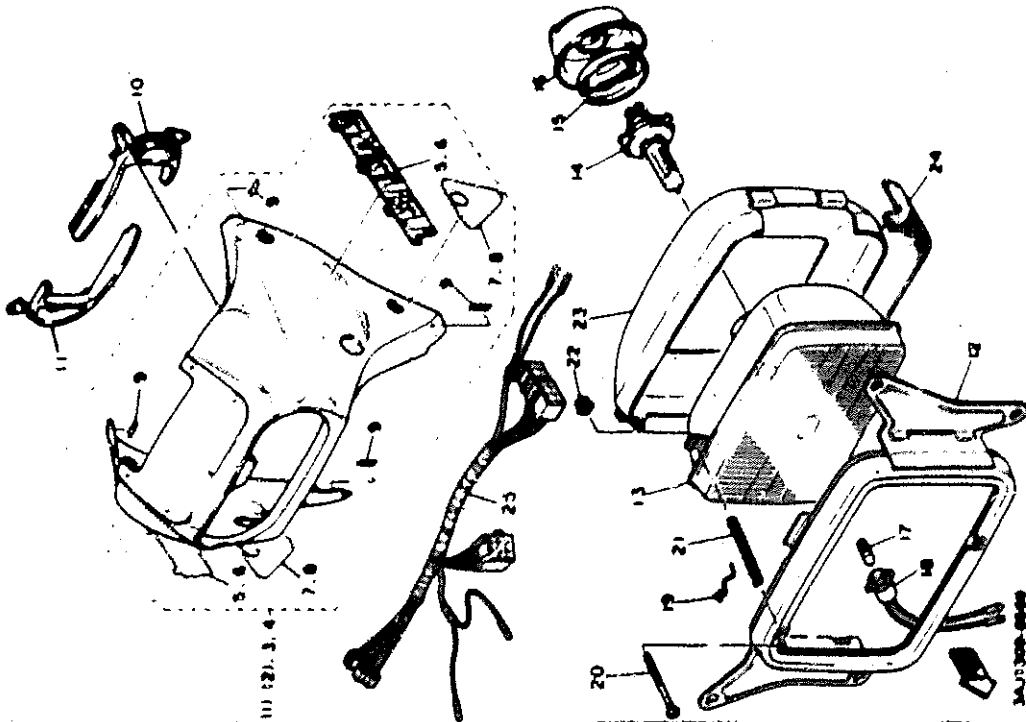
REF NO.	PART NO.	DESCRIPTION	QTY	REMARKS
1	1VJ-21621-00	FLAP	1	
2	90808-04018	SCREW, pan head	3	
3	92808-04100	WASHER, spring	3	
4	92808-04800	WASHER, plate	3	
5	95702-04800	NUT, flange	3	
6	30K-22312-01	CASE, chain 2	1	
7	90308-08223	WASHER	2	
8	92808-06012	SCREW, pan head	2	
9	92808-08100	WASHER, spring	2	
10	3AJ-24770-00	SEMI-DOUBLE SEAT	2	
11	3AJ-24770-10	SEMI-DOUBLE SEAT	2	
12	30S-24770-00	SEMI-DOUBLE SEAT	2	
13	30S-24770-10	SEMI-DOUBLE SEAT	2	
14	1VK-24731-10	-COVER, seat	1	UR chappy red
15	1VK-24731-00	-COVER, seat	1	UR pastel blue
16	3AJ-24753-00	-BRACKET, seat	1	UR chappy red
17	3AJ-24748-00	-BRACKET, seat	1	UR pastel blue
18	38F-25440-20-33	SPROCKET, driven (40T)	1	
19	38F-25438-20-33	SPROCKET, driven (38T)	1	
20	94881-08104	CHAIN, drive	1	
21	94880-09102	CHAIN, drive	1	
22	94880-80011	-JOINT, chain	1	
23	33G-88132-00	BRACKET, reflector	2	
24	90301-044A2	WASHER, plate	2	
25	90287-40078	PIVET, blind	2	



H6

FIG. 58 ALTERNATE (CHASSIS, ELECTRICAL)

REF NO	PART NO.	DESCRIPTION	QTY	REMARKS
1	3AJ-Y2026-00-36	COWLING ASSY	1	
2	3AJ-Y2026-00-NJ	COWLING ASSY	1	
3	3AJ-Y2026-30-36	COWLING ASSY	1	
4	3AJ-Y2026-30-NJ	COWLING ASSY	1	
5	3AJ-26316-00	-BRACKET	2	
6	3AJ-26316-10	-BRACKET	2	
7	3AJ-26289-00	-GRAPHIC SET, covering	1	
8	3AJ-26289-10	-GRAPHIC SET, covering	1	
9	3AJ-26141-00	-PROTECTOR, fuel tank	1	
10	3AJ-26281-00	PANEL 1	1	
11	3AJ-26281-00	PANEL 2	1	
12	2LF-94318-00	LENSE, headlight	1	
13	11U-94321-00	LENSE, headlight	1	
14	0	BULB, headlight (12V 60/55W)	1	LM
15	2P9-94376-00	FITTING PLATE, hub	1	
16	2P9-94387-01	COVER, hub	1	
17	0	BULB (12V-60W)	1	LM
18	2LF-94312-00	SOCKET	1	
19	962-94334-A0	SPRING, adjuster	1	
20	43F-94131-00	SCREW, rim adjuster	2	
21	962-94332-00	SPRING, screw	2	
22	180-94334-00	NUT, adjusting	2	
23	2LF-94396-00	COVER	1	
24	2LF-94346-00	DAMPNER, headlight	1	
25	3AJ-94389-30	COND. headlight	1	



Ho

INDEX

(GENERAL SPEC.)

17

PART NO.	GR
8BX-W0041-00	E
2N-W0042-50	E
8BW-W0045-00	D
3AL-W0046-01	E
3AL-W0047-00	E
8BW-W0047-00	D
5TL-W0048-00	E
2XF-W0057-00	E
8BW-W0057-00	D
1VJ-W1141-00	B
8YI-W1343-00	B
3AJ-W1441-00	E
3AJ-Y2836-00-NJ	E
3AJ-Y2836-00-36	E
2XF-11101-00	B
683-11127-00	B
447-11133-10	B
3AK-11146-00	B
1VJ-11168-00	B
2XF-11181-01	B
1L9-11186-00	B
5YI-11187-00	B
214-11198-01	B
3AJ-11310-00	B
1VJ-11361-00	B
1VJ-11400-01	B
1VJ-11422-00	B
3AK-11464-00	B
5YI-11468-01	B
5YI-11531-00	B
2JT-11628-00	B
3AK-11648-02	B
3AL-11610-00	B
3AL-11610-20	B
3AL-11610-40	B
3AL-11631-02-Y0	B
1AK-11633-01	B
3AL-11636-02	B
3AL-11638-02	B
1VJ-11661-00	B
1VJ-12111-00	B
5YI-12113-00	B
5YI-12114-00	B
447-12116-00	B
2F3-12117-00	B

PART NO.

2RW-W1441-00
3AJ-W1441-00
3AJ-W2834-30
3AJ-Y2835-00-NJ
3AJ-Y2835-00-38
3AJ-Y2835-30-NJ
3AJ-Y2835-30-38
1JK-1410A-03
2NX-14103-00
2WJ-14105-00
2JN-14107-00
5Y1-14115-00
1JK-14131-00
42U-14145-00
30X-14148-00
5Y1-14149-00
5Y1-14159-00
1JK-14197-00
1VJ-14198-00
1JK-14286-00
1JK-14291-00
2JN-14293-00
3AJ-14301-10
3DS-14301-00
2WJ-14303-00
1XL-14312-55
5Y1-14325-00
2KF-14341-00
43F-14342-23
288-14343-73
288-14343-75
288-14343-78
30X-14343-47
3DS-14349-00
5Y1-14349-00
2KF-14355-00
5Y1-14356-00
1JK-14357-00
30X-14358-00
5Y1-14358-00
2WJ-14367-00
1VJ-14376-00
5Y1-14384-00
2JN-14385-00
6EE-14396-01

INDEX

(INDIVIDUAL SPEC.)

M1

NUMERICAL INDEX

PART NO.	GRID NO.	PART NO.	GRID NO.	PART NO.	GRID NO.
2RW-W1441-00	H-4	30X-14394-00	H-3	3AJ-24770-00	H-5
3AJ-W1441-00	H-4	30X-14411-00	H-4	3AJ-24770-10	H-5
3AJ-W2834-30	G-6	3DS-14412-00	H-4	3DS-24770-00	F-8
3AJ-Y2835-00-NJ	H-6	3AJ-14412-00	H-4	3DS-24770-10	F-8
3AJ-Y2835-00-36	H-6	2RW-14437-00	H-4	3RF-28438-20-J3	G-12
3AJ-Y2835-30-NJ	G-10	3AJ-14437-00	H-4	3RF-28440-20-33	G-12
	H-6	3AJ-14446-01	H-4	5Y1-2741L-00	H-6
3AJ-Y2835-30-36	G-10	5Y1-14446-00	H-2	2KF-2741L-00	G-3
	H-6	5Y1-14572-00	H-2	2LA-8432A-G0	G-5
1JK-1410A-03	H-3	3AJ-14572-00	H-2	2LA-8432A-G0	F-11
2WX-14103-00	H-3	3AJ-14572-00	H-2	2RG-8432A-E0	H-6
2WJ-14106-00	H-3	3AJ-14711-00	F-13	3AJ-8432A-00	F-8
2JK-14107-00	H-3	3AJ-14711-00	F-13	2GH-84320-00	G-3
5Y1-14116-00	H-2	3AJ-14714-00	F-13	2RG-84320-50	G-5
1JK-14131-00	H-2	2WK-14752-00	H-4	3AJ-84320-00	F-8
1JK-14131-00	H-2	3AJ-14752-00	H-4	2GH-84324-A0	G-12
42U-14146-00	H-2	3AJ-14752-00	H-4	2GH-84330-00	H-6
30X-14148-00	H-3	3AJ-14768-00	F-13	2LJ-84330-A0	G-3
5Y1-14149-00	H-3	1JK-1490A-00	H-3	2AX-84331-00	F-11
5Y1-14159-00	H-3	2WJ-1490J-10	H-3	51L-84332-00	F-11
1JK-14197-00	H-2	3DS-1490K-00	H-3	56Z-84334-A0	G-12
1VJ-14198-00	H-2	2RX-1490K-00	H-3	2GH-84330-00	G-3
1JK-14286-00	H-3	1JK-14940-01	H-3	2LJ-84330-A0	G-3
2JK-14293-00	H-2	3DS-21315-00	H-4	2AX-84331-00	F-11
1JK-14293-00	H-2	2AL-21316-00	H-4	51L-84332-00	F-11
1VJ-21621-00	H-2	1VJ-21621-00	F-14	56Z-84332-60	G-3
3DS-14301-10	H-2	1VJ-21621-00	G-10	598-84334-60	H-6
2WJ-14303-00	H-2	3AJ-21622-00	G-6	2LF-84345-00	G-12
1XL-14312-55	H-3	1VJ-21666-01	G-8		
2KF-14341-00	H-3		G-8		
43F-14342-23	H-3		F-14		
288-14343-73	H-3		G-5		
288-14343-75	H-3		G-5		
288-14343-76	H-3		G-10		
30X-14343-87	H-3		F-14		
3DS-14349-00	H-3		G-5		
5Y1-14349-00	H-3		G-8		
2KF-14349-00	H-2		G-10		
5Y1-14349-00	H-2		H-6		
1JK-14349-00	H-2		F-13		
30X-14349-00	H-2		H-6		
5Y1-14349-00	H-2		F-13		
2WJ-14378-00	H-2		H-6		
2JK-14384-00	H-2		H-6		
6E8-14396-01	H-2		H-6		

NUMERICAL INDEX

PART NO.	GRID NO.	PART NO.	GRID NO.	PART NO.	GRID NO.
4E2-84347-00	F-11	2LF-84312-00	G-12	2LF-84312-00	H-6
4E2-84347-00	F-14	1FM-84314-H0	F-8	1FM-84314-H0	H-6
90184-06017	G-8	2LF-84316-00	G-12	2LF-84316-00	H-6
90201-04442	G-3	2GH-8432A-00	H-6	2GH-8432A-00	H-6
	G-3	2LA-8432A-G0	G-3	2LA-8432A-G0	G-3
	G-6	2LA-8432A-G0	G-5	2LA-8432A-G0	G-5
	G-8	2RG-8432A-E0	F-11	2RG-8432A-E0	F-11
	H-5	3AJ-8432A-00	F-14	3AJ-8432A-00	F-14
	H-5	2GH-84320-00	F-8	2GH-84320-00	F-8
	H-5	2GH-84320-00	G-3	2GH-84320-00	G-3
	H-5	2RG-84320-50	G-5	2RG-84320-50	G-5
	H-5	3AJ-84320-00	F-8	3AJ-84320-00	F-8
	H-5	3AJ-84320-50	F-11	3AJ-84320-50	F-11
	H-5	3AJ-84324-00	F-14	3AJ-84324-00	F-14
	H-4	11U-84331-G0	G-14	11U-84331-G0	G-14
	H-4	5G2-84324-A0	G-12	5G2-84324-A0	G-12
	H-4	2GH-84330-00	H-6	2GH-84330-00	H-6
	H-4	2LJ-84330-A0	G-3	2LJ-84330-A0	G-3
	H-4	2AX-84331-00	F-11	2AX-84331-00	F-11
	H-4	51L-84332-00	F-14	51L-84332-00	F-14
	H-4	56Z-84332-60	G-3	56Z-84332-60	G-3
	H-4	598-84334-60	G-5	598-84334-60	G-5
	H-4	2LF-84345-00	G-12	2LF-84345-00	G-12
	H-4		H-6		H-6
	H-4		H-6		H-6

PART NO.
94680-60011
95702-04500

95816-08045
97706-40818

97706-50520
98501-04008

98501-05010
98503-04014
98506-04018

98580-04010
98580-04016
98580-04020

335-85132-00
90109-064E1
90184-06017
90201-04442

90201-04688
90201-20279
90206-06060
90209-06223
90287-40076

2LA-84375-00
2LA-84393-00
2GH-84396-90

2GH-84396-10
2LF-84396-00
2F9-84397-01

2GH-84397-00
2LA-84397-00

92306-04600
92306-06600
92306-08100
92306-04100
92306-06632

94680-40102
94680-08104

M2

NUMERICAL INDEX

PART NO	GRID NO
94680-00011	M-5
95702-04600	E-14
	G-5
	G-8
	G-10
	H-5
	F-12
	F-8
	E-11
	E-14
	G-3
	G-5
	G-8
	H-4
	G-2
	H-3
	H-2
	F-14
	G-5
	G-8
	G-10
	K-5
	H-2
	H-3
	M-2
	H-2

94680-00011
95702-04600

94816-06045
97706-40818

97706-50520
99501-04008

99601-05010
99602-04014
99605-04018

99680-04010
99680-04016
99680-04020

NUMERICAL INDEX

PART NO	GRID NO
---------	---------

PART NO	GRID NO
---------	---------

PART NO	GRID NO
---------	---------

PART NO	GRID NO
---------	---------

M3